



Chipsmall Limited consists of a professional team with an average of over 10 year of expertise in the distribution of electronic components. Based in Hongkong, we have already established firm and mutual-benefit business relationships with customers from,Europe,America and south Asia,supplying obsolete and hard-to-find components to meet their specific needs.

With the principle of “Quality Parts,Customers Priority,Honest Operation,and Considerate Service”,our business mainly focus on the distribution of electronic components. Line cards we deal with include Microchip,ALPS,ROHM,Xilinx,Pulse,ON,Everlight and Freescale. Main products comprise IC,Modules,Potentiometer,IC Socket,Relay,Connector.Our parts cover such applications as commercial,industrial, and automotives areas.

We are looking forward to setting up business relationship with you and hope to provide you with the best service and solution. Let us make a better world for our industry!



Contact us

Tel: +86-755-8981 8866 Fax: +86-755-8427 6832

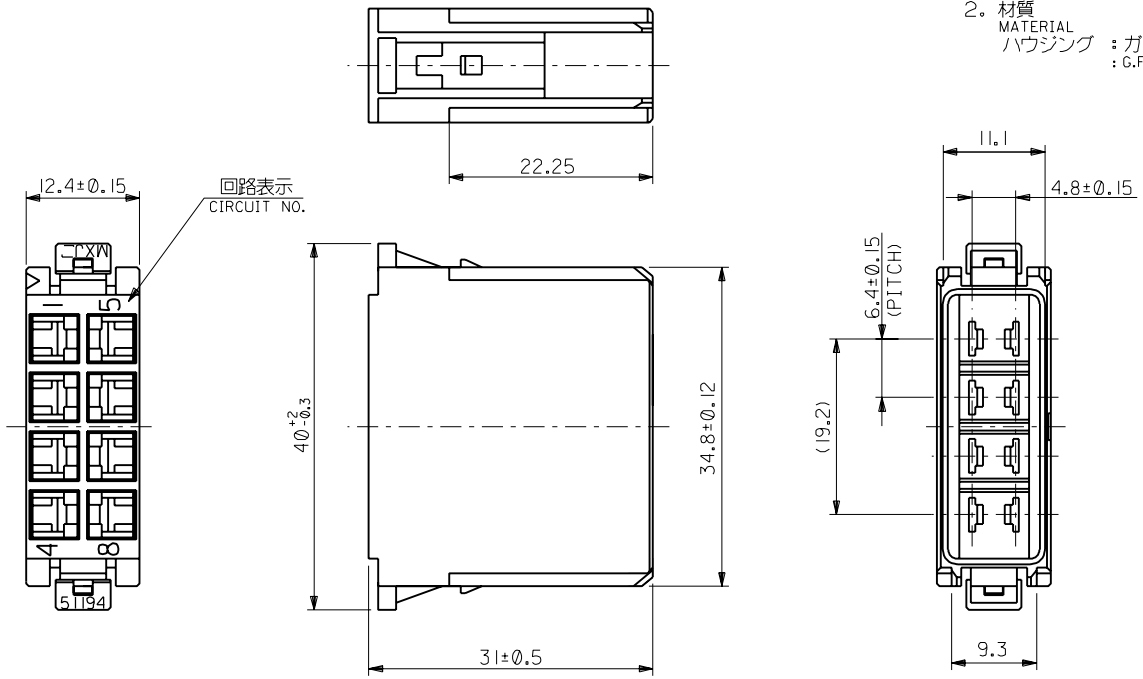
Email & Skype: info@chipsmall.com Web: www.chipsmall.com

Address: A1208, Overseas Decoration Building, #122 Zhenhua RD., Futian, Shenzhen, China



注記
NOTES.

- 適合ターミナル : 50638-9*49 (被覆外径 $\phi 2.8 \sim \phi 3.8$)
: 59320-9*90 (被覆外径 $\phi 2.2 \sim \phi 2.7$)
APPLICABLE TERMINAL : 50638-9*49 (INSULATION DIAMETER $\phi 2.8 \sim \phi 3.8$)
: 59320-9*90 (INSULATION DIAMETER $\phi 2.2 \sim \phi 2.7$)
- 材質
MATERIAL
ハウジング : ガラス入りナイロン66 UL94V-0 色 : 自然色
: G.F. NYLON UL94V-0 COLOR : NATURAL



51194-0800	51194-0800
------------	------------

MATERIAL NO	MODEL NO
-------------	----------

DIMENSIONS:		SHT	REV
<input type="checkbox"/> mm	<input type="checkbox"/> INCH	<input checked="" type="checkbox"/> mm	<input type="checkbox"/> ONLY
		REVISE ON CAD ONLY	

EC NO. DRWN: CHK: APPR:	REVISED '99/07/28 EC NO. JD00118 DRWN: SAKIYAMA CHK: YOJITO APPR: HIKESUGI	REVISED '99/03/25 EC NO. JD91284 DRWN: SAKIYAMA CHK: YOJITO APPR: HIKESUGI	REVISED '98/12/23 EC NO. JD90894 DRWN: Y.TETSUKA CHK: SAKIYAMA/YOJITO APPR: HIKESUGI	RELEASED '98/9/9 EC NO. JD90376 DRWN: JMIYAZAWA CHK: YOJITO APPR: HIKESUGI	MATERIAL 材料 注記参照 SEE NOTES.
FINISH 仕上り	—				
WIRE RANGE 適用線径範囲	—				
INS. RANGE 被覆外径	—				

GENERAL TOLERANCES: (UNLESS SPECIFIED) 一般公差		SCALE 2-1	DESIGN UNITS <input checked="" type="checkbox"/> mm <input type="checkbox"/> INCH	THIRD ANGLE PROJECTION
10 UNDER 未満	+0.2	DRAWN BY & DATE <i>Sh. Oka</i> '98/9/9		TITLE: POWER CONN. 8P PIN HOUSING
10 OVER 以上	+0.25	CHECKED BY & DATE <i>Sh. Oka</i>		
30 OVER 以上	+0.3	APPROVED BY & DATE <i>Sh. Oka</i>		
ANGLE 角度	+3°	CAD FILE NAME 51194002.S01	MATERIAL NO. SEE CHART	DRAWING NO. SD-51194-002

MOLEX INCORPORATED		SHEET NO. 1 OF 1
THIS DRAWING CONTAINS INFORMATION THAT IS PROPRIETARY TO MOLEX INCORPORATED AND SHOULD NOT BE USED WITHOUT WRITTEN PERMISSION.		SIZE B

DO NOT SCALE DRAWING