



Chipsmall Limited consists of a professional team with an average of over 10 year of expertise in the distribution of electronic components. Based in Hongkong, we have already established firm and mutual-benefit business relationships with customers from,Europe,America and south Asia,supplying obsolete and hard-to-find components to meet their specific needs.

With the principle of “Quality Parts,Customers Priority,Honest Operation,and Considerate Service”,our business mainly focus on the distribution of electronic components. Line cards we deal with include Microchip,ALPS,ROHM,Xilinx,Pulse,ON,Everlight and Freescale. Main products comprise IC,Modules,Potentiometer,IC Socket,Relay,Connector.Our parts cover such applications as commercial,industrial, and automotives areas.

We are looking forward to setting up business relationship with you and hope to provide you with the best service and solution. Let us make a better world for our industry!



## Contact us

Tel: +86-755-8981 8866 Fax: +86-755-8427 6832

Email & Skype: info@chipsmall.com Web: www.chipsmall.com

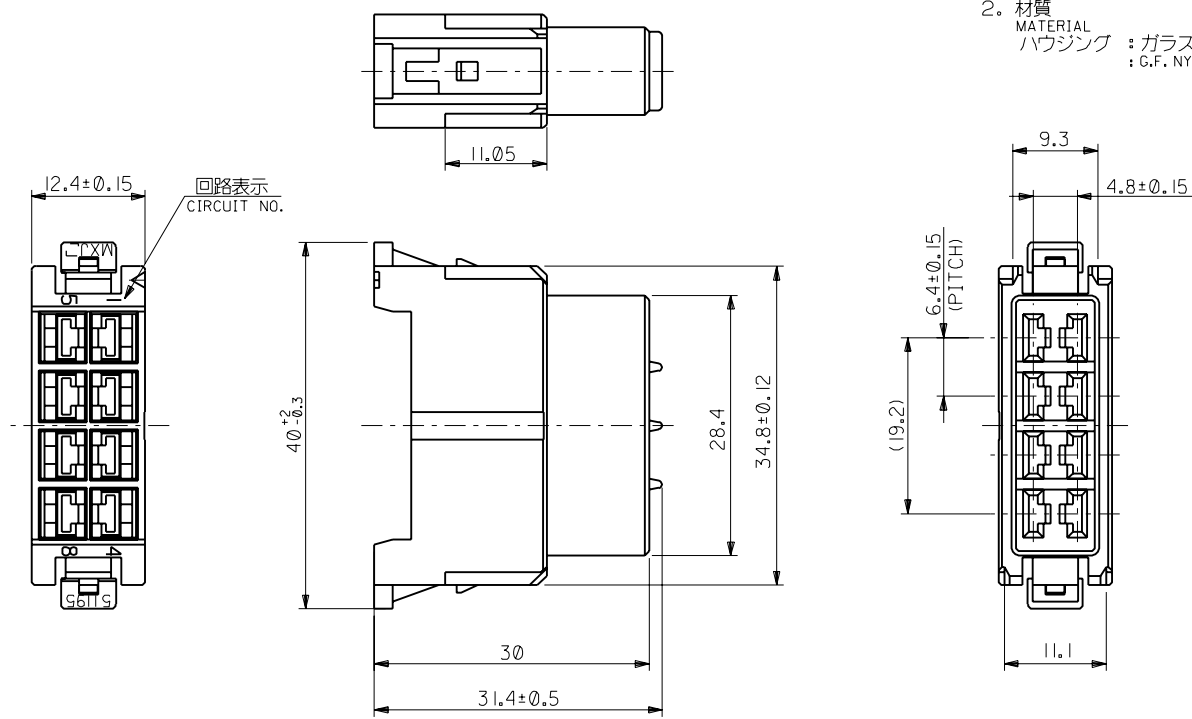
Address: A1208, Overseas Decoration Building, #122 Zhenhua RD., Futian, Shenzhen, China



DWG. NO. SD-51195-002

注記  
NOTES.

- 適合ターミナル : 50637-0\*49 (被覆外径 $\phi$ 2.8~ $\phi$ 3.8)  
: 59319-0\*90 (被覆外径 $\phi$ 2.2~ $\phi$ 2.7)  
APPLICABLE TERMINAL : 50637-0\*49 (INSULATION DIAMETER  $\phi$ 2.8~ $\phi$ 3.8)  
: 59319-0\*90 (INSULATION DIAMETER  $\phi$ 2.2~ $\phi$ 2.7)
- 材質  
MATERIAL  
ハウジング : ガラス入りナイロン66 UL94V-0 色 : 自然色  
: G.F. NYLON UL94V-0 COLOR : NATURAL



51195-0800 51195-0800

MATERIAL.NO MODEL.NO

DIMENSIONS:  mm  INCH  mm ONLY SHT | REV

TITLE: POWER CONN. 8P SOCKET HOUSING

APPROVED BY & DATE: *Y. Ito* '98/9/9

MATERIAL NO. DRAWING NO. SHEET NO. SEE CHART SD-51195-002 1 OF 1

MOLEX INCORPORATED

51195002.S01

THIS DRAWING CONTAINS INFORMATION THAT IS PROPRIETARY TO MOLEX INCORPORATED AND SHOULD NOT BE USED WITHOUT WRITTEN PERMISSION.

EC NO. DRWN: CHK: APPR:	EC NO. DRWN: CHK: APPR:	REVISED '99/03/25 EC NO. JD91284 DRWN: S.SAKIYAMA CHK: YO.ITO APPR: H.IKESUGI	REVISED '98/12/23 EC NO. JD90894 DRWN: Y.TETSUKA CHK: SAKIYAMA/YO.ITO APPR: H.IKESUGI	RELEASED '98/9/9 EC NO. JD90376 DRWN: J.MIYAZAWA CHK: YO.ITO APPR: H.IKESUGI	REV DESCRIPTION	MATERIAL 材料 注記参照 SEE NOTES.	GENERAL TOLERANCES: (UNLESS SPECIFIED) 一般公差	SCALE 2-1	DESIGN UNITS <input checked="" type="checkbox"/> mm <input type="checkbox"/> INCH	THIRD ANGLE PROJECTION	REVISIONS REVISE ON CAD ONLY
						FINISH 仕上げ	10 UNDER 未満	+0.2	DRAWN BY & DATE <i>Y. Ito</i> '98/9/9		
						WIRE RANGE 適用線径範囲	10 OVER 以上	+0.25	CHECKED BY & DATE <i>Y. Ito</i>		
						INS. RANGE 被覆外径	30 UNDER 未満	+0.3	APPROVED BY & DATE <i>Y. Ito</i>		
							30 OVER 以上	+3°	CAD FILE NAME 51195002.S01		
							ANGLE 角度				

DO NOT SCALE DRAWING