



Chipsmall Limited consists of a professional team with an average of over 10 year of expertise in the distribution of electronic components. Based in Hongkong, we have already established firm and mutual-benefit business relationships with customers from,Europe,America and south Asia,supplying obsolete and hard-to-find components to meet their specific needs.

With the principle of “Quality Parts,Customers Priority,Honest Operation,and Considerate Service”,our business mainly focus on the distribution of electronic components. Line cards we deal with include Microchip,ALPS,ROHM,Xilinx,Pulse,ON,Everlight and Freescale. Main products comprise IC,Modules,Potentiometer,IC Socket,Relay,Connector.Our parts cover such applications as commercial,industrial, and automotives areas.

We are looking forward to setting up business relationship with you and hope to provide you with the best service and solution. Let us make a better world for our industry!



## Contact us

Tel: +86-755-8981 8866 Fax: +86-755-8427 6832

Email & Skype: info@chipsmall.com Web: www.chipsmall.com

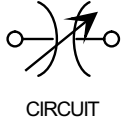
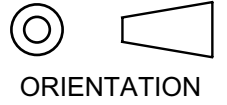
Address: A1208, Overseas Decoration Building, #122 Zhenhua RD., Futian, Shenzhen, China



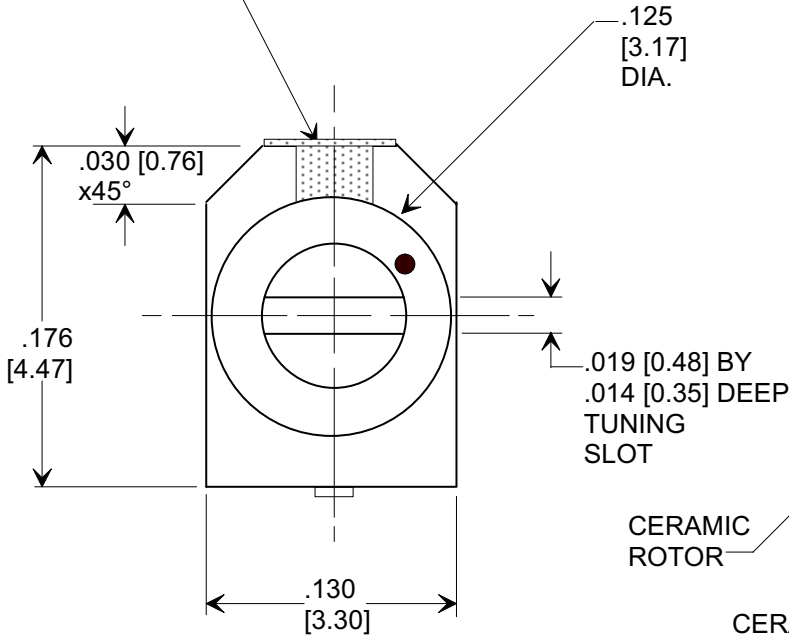
# MARKETING SALES DRAWING

Electrical Testing  
per Tusonix standard  
test plans and Mil-Std-202  
Test Methods.

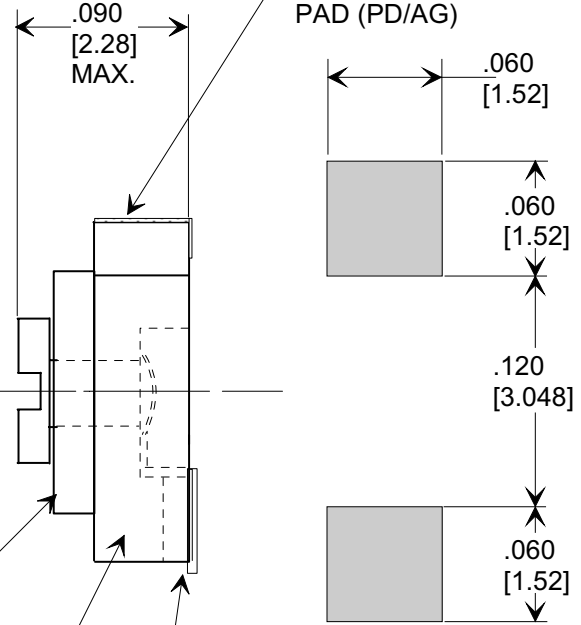
DIMENSIONS IN INCHES - DO NOT SCALE THIS DRAWING  
DIMENSIONS IN METRIC - [ ]



STATOR TERMINAL  
PAD (PD/AG)



STATOR  
TERMINAL  
PAD (PD/AG)



RECOMMENDED  
MOUNTING PATTERN

CERAMIC  
ROTOR

CERAMIC  
BASE

SOLDER PLATED  
ROTOR TERMINAL

## SPECIFICATIONS

TUSONIX PART NO.	512-000A3.0-10
Value:	3.0-10 pF
Value Tol.:	SEE NOTE 2
Temp. Coef.:	Diel. Code A (NP0 ± 200)
Rating:	100 VDC @ 125 °C
Operating Range:	-55°C TO + 125°C
DWV	200 vdc
Q @ 1 MHz	500 MIN.
To Tusonix Spec Unless Stated Otherwise	

## NOTES:

1. PACKAGE: BULK OR BLISTER TAPE TO IEC-60286-3 TYPE II AND EIA-481-A [12MM], 7" [177.80] DIAMETER REEL 13" [330.20] DIAMETER REEL OPTIONAL
2. MUST MEET MIN/ MAX RATED CAPACITANCE.
3. TORQUE 0.14 - 2.0 OZ. IN [0.1 - 1.4 Ncm.]

X-2015 Rev-0

REVISION RECORD Original Release C.O. 20030605-1-04	0	--TOLERANCES-- Unless Otherwise Specified	Title	
			<b>SURFACE MOUNT TRIMMER</b>	
		DECIMAL ±.005 [0.13]	Drawn L.E. 06-16-03	
		ANGLES ±	Approved T.C. 06-16-03 Scale 10x	
<b>TUSONIX</b> TUCSON, ARIZONA		<b>A</b>	<b>512-000 A 3.0 - 10</b>	