



Chipsmall Limited consists of a professional team with an average of over 10 year of expertise in the distribution of electronic components. Based in Hongkong, we have already established firm and mutual-benefit business relationships with customers from,Europe,America and south Asia,supplying obsolete and hard-to-find components to meet their specific needs.

With the principle of “Quality Parts,Customers Priority,Honest Operation,and Considerate Service”,our business mainly focus on the distribution of electronic components. Line cards we deal with include Microchip,ALPS,ROHM,Xilinx,Pulse,ON,Everlight and Freescale. Main products comprise IC,Modules,Potentiometer,IC Socket,Relay,Connector.Our parts cover such applications as commercial,industrial, and automotives areas.

We are looking forward to setting up business relationship with you and hope to provide you with the best service and solution. Let us make a better world for our industry!



Contact us

Tel: +86-755-8981 8866 Fax: +86-755-8427 6832

Email & Skype: info@chipsmall.com Web: www.chipsmall.com

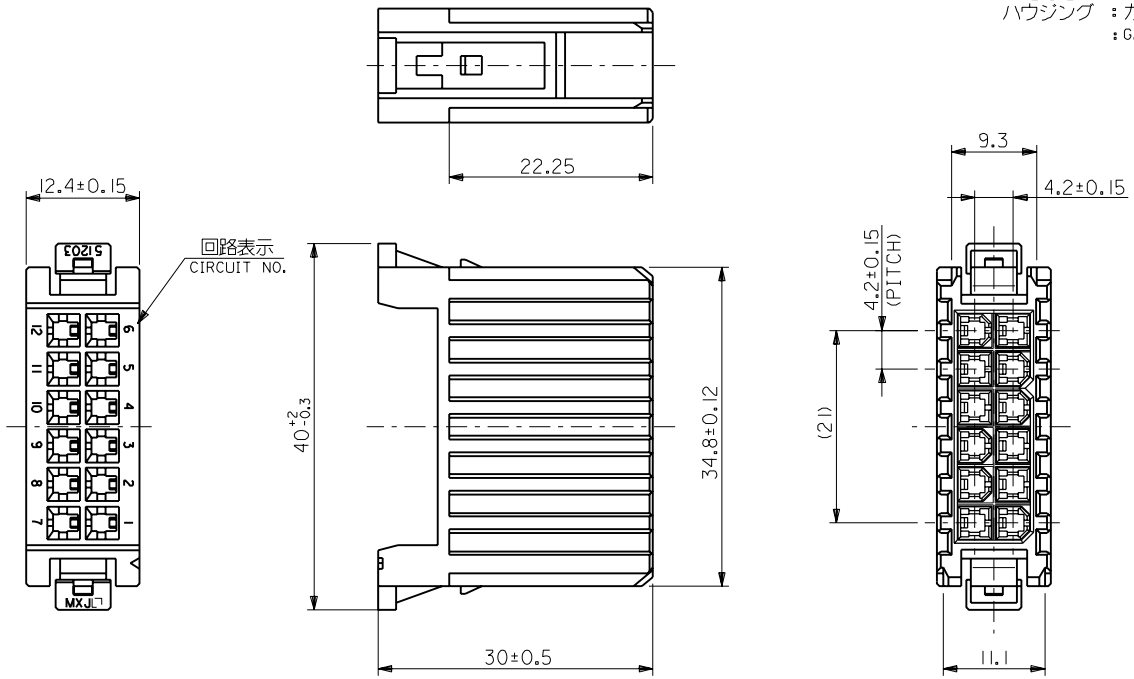
Address: A1208, Overseas Decoration Building, #122 Zhenhua RD., Futian, Shenzhen, China



DWG. NO. SD-51203-002

注記
NOTES.

- 適合ターミナル : 5558****
APPLICABLE TERMINAL : 5558****
- 材質
MATERIAL
ハウジング : ガラス入りナイロン66 UL94V-0 色: 自然色
: G.F. NYLON UL94V-0 COLOR : NATURAL



51203-1200	51203-1200
------------	------------

MATERIAL NO	MODEL NO
-------------	----------

DIMENSIONS:	SHT	REV
<input type="checkbox"/> mm <input type="checkbox"/> INCH <input checked="" type="checkbox"/> mm ONLY		REVISE ON CAD ONLY

DO NOT SCALE DRAWING

EC NO. DRWN: CHK: APPR:	EC NO. DRWN: CHK: APPR:	EC NO. DRWN: CHK: APPR:
----------------------------------	----------------------------------	----------------------------------

REVISED '98/12/23
EC NO. JD90898
DRWN: Y. TETSUKA
CHK: S. AKIYAMA/YO.ITO
APPR: H. IKESUGI
RELEASED '98/9/9
EC NO. JD90377
DRWN: S. AKIYAMA
CHK: YO.ITO
APPR: H. IKESUGI

MATERIAL 材料	注記参照 SEE NOTES.
FINISH 仕上り	—
WIRE RANGE 適用線径範囲	—
INS. RANGE 被覆外径	—

GENERAL TOLERANCES: (UNLESS SPECIFIED) 一般公差	SCALE 2-1	DESIGN UNITS <input checked="" type="checkbox"/> mm <input type="checkbox"/> INCH	THIRD ANGLE PROJECTION
10 UNDER 未満	+0.2	DRAWN BY & DATE S. Akiyama '98/9/9	TITLE: POWER CONN. 12P PIN HOUSING
10 OVER 以上	+0.25	CHECKED BY & DATE Y. Ito	APPROVED BY & DATE S. Akiyama
30 UNDER 未満	+0.3	APPROVED BY & DATE S. Akiyama	CAD FILE NAME 51203002.S01
30 OVER 以上	+3°	ANGLE 角度	MATERIAL NO. SEE CHART

MATERIAL NO. SEE CHART		DRAWING NO. SD-51203-002	SHEET NO. 1 OF 1
THIS DRAWING CONTAINS INFORMATION THAT IS PROPRIETARY TO MOLEX INCORPORATED AND SHOULD NOT BE USED WITHOUT WRITTEN PERMISSION.			SIZE B