



Chipsmall Limited consists of a professional team with an average of over 10 year of expertise in the distribution of electronic components. Based in Hongkong, we have already established firm and mutual-benefit business relationships with customers from,Europe,America and south Asia,supplying obsolete and hard-to-find components to meet their specific needs.

With the principle of “Quality Parts,Customers Priority,Honest Operation,and Considerate Service”,our business mainly focus on the distribution of electronic components. Line cards we deal with include Microchip,ALPS,ROHM,Xilinx,Pulse,ON,Everlight and Freescale. Main products comprise IC,Modules,Potentiometer,IC Socket,Relay,Connector.Our parts cover such applications as commercial,industrial, and automotives areas.

We are looking forward to setting up business relationship with you and hope to provide you with the best service and solution. Let us make a better world for our industry!



Contact us

Tel: +86-755-8981 8866 Fax: +86-755-8427 6832

Email & Skype: info@chipsmall.com Web: www.chipsmall.com

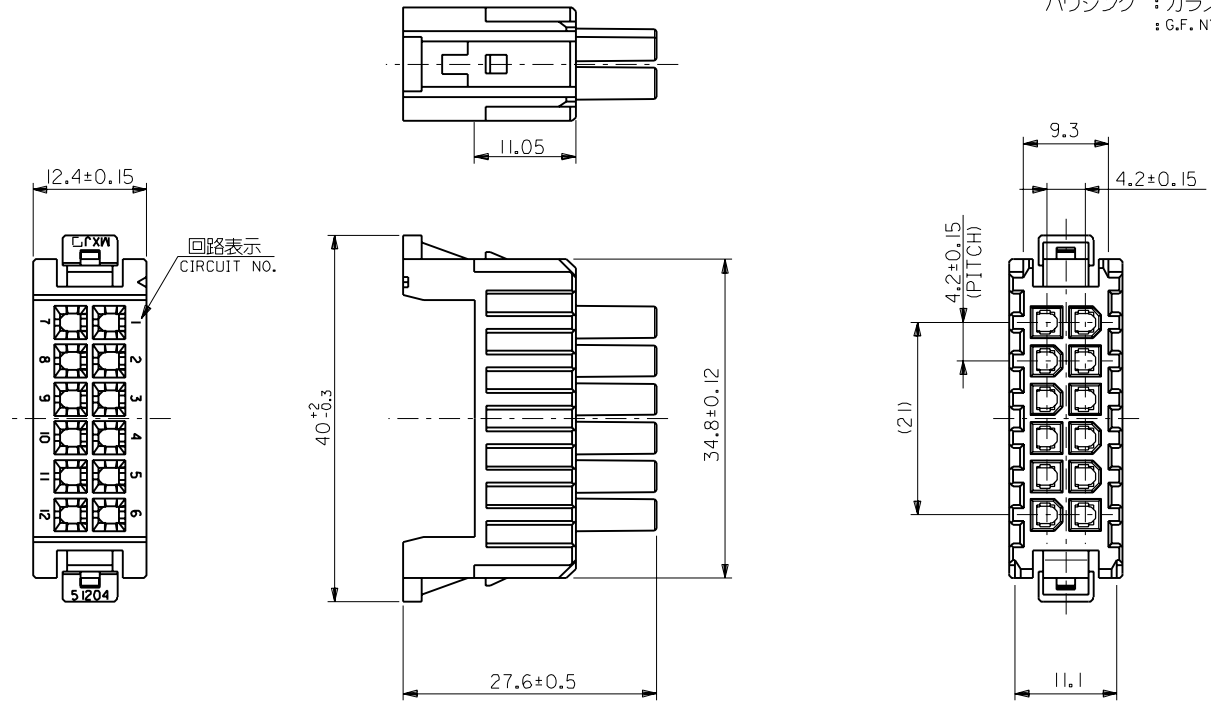
Address: A1208, Overseas Decoration Building, #122 Zhenhua RD., Futian, Shenzhen, China



DWG. NO. SD-51204-002

注記
NOTES.

1. 適合ターミナル : 5556****
APPLICABLE TERMINAL: 5556****
2. 材質
MATERIAL
ハウジング : ガラス入りナイロン66 UL94V-0 色: 自然色
: G.F. NYLON UL94V-0 COLOR : NATURAL



DO NOT SCALE DRAWING

EC NO. DRWN: CHK: APPR:	EC NO. DRWN: CHK: APPR:	EC NO. DRWN: CHK: APPR:	REVISED '98/12/23	MATERIAL 材料 注記参照 SEE NOTES.	GENERAL TOLERANCES: (UNLESS SPECIFIED) 一般公差		SCALE 2-1	DESIGN UNITS <input checked="" type="checkbox"/> mm <input type="checkbox"/> INCH	THIRD ANGLE PROJECTION	DIMENSIONS: <input type="checkbox"/> mm <input type="checkbox"/> INCH <input checked="" type="checkbox"/> mm ONLY		SHT	REV
			EC NO. JD90898 DRWN: Y. TETSUKA CHK: SAKIYAMA/YO.ITO APPR: HIKESUGI		FINISH 仕上り	10 UNDER 未満	+0.2	DRAWN BY & DATE S. Adiyama 98/9/9		TITLE: POWER CONN. 12P SOCKET HOUSING	REVISE ON CAD ONLY		
A	O	REV	RELEASED '98/9/9	WIRE RANGE 適用線径範囲	10 OVER 以上	30 UNDER 未満	+0.25	CHECKED BY & DATE Y.Og	APPROVED BY & DATE S. Adiyama	MATERIAL NO. SEE CHART	DRAWING NO. SD-51204-002	SHEET NO. 1 OF 1	SIZE B
			EC NO. JD90377 DRWN: S. AKIYAMA CHK: YO.ITO APPR: HIKESUGI		INS. RANGE 被覆外径	30 OVER 以上	+0.3	ANGLE 角度					

51204-I200	51204-I200
MATERIAL NO	MODEL NO

REVISION	DATE	BY	REASON

MOLEX INCORPORATED