



Chipsmall Limited consists of a professional team with an average of over 10 year of expertise in the distribution of electronic components. Based in Hongkong, we have already established firm and mutual-benefit business relationships with customers from,Europe,America and south Asia,supplying obsolete and hard-to-find components to meet their specific needs.

With the principle of “Quality Parts,Customers Priority,Honest Operation,and Considerate Service”,our business mainly focus on the distribution of electronic components. Line cards we deal with include Microchip,ALPS,ROHM,Xilinx,Pulse,ON,Everlight and Freescale. Main products comprise IC,Modules,Potentiometer,IC Socket,Relay,Connector.Our parts cover such applications as commercial,industrial, and automotives areas.

We are looking forward to setting up business relationship with you and hope to provide you with the best service and solution. Let us make a better world for our industry!



Contact us

Tel: +86-755-8981 8866 Fax: +86-755-8427 6832

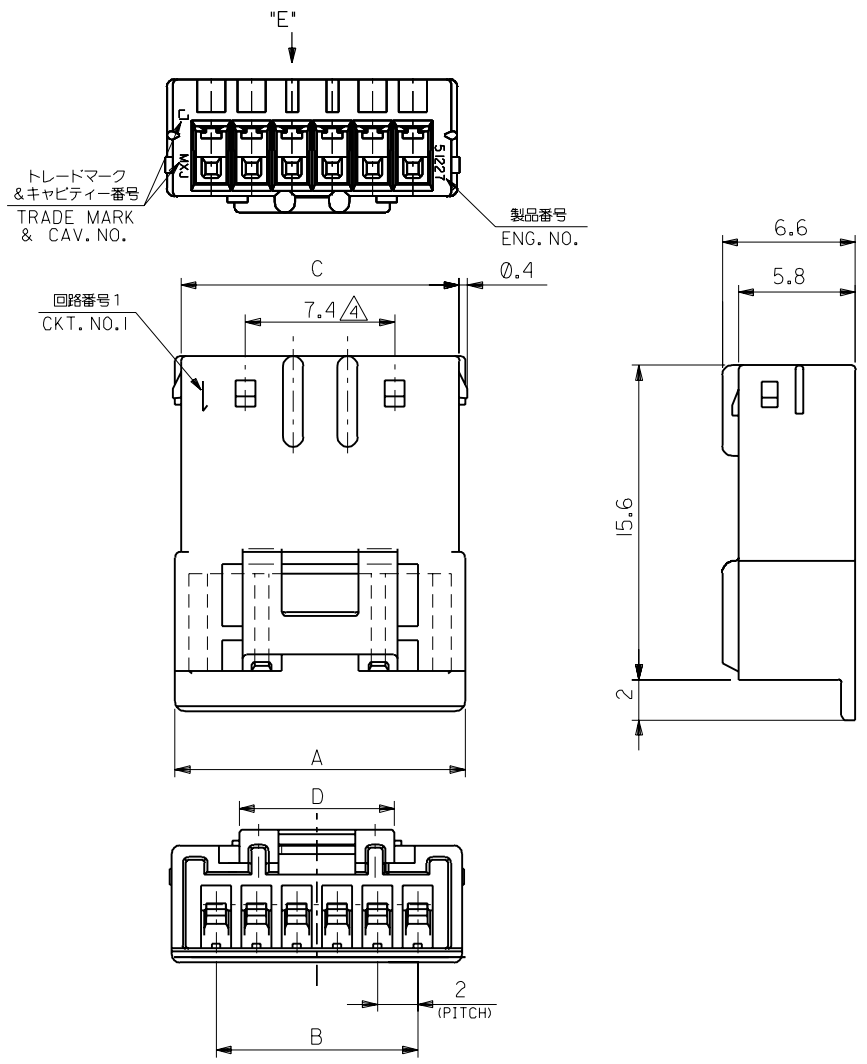
Email & Skype: info@chipsmall.com Web: www.chipsmall.com

Address: A1208, Overseas Decoration Building, #122 Zhenhua RD., Futian, Shenzhen, China



DO NOT SCALE DRAWING

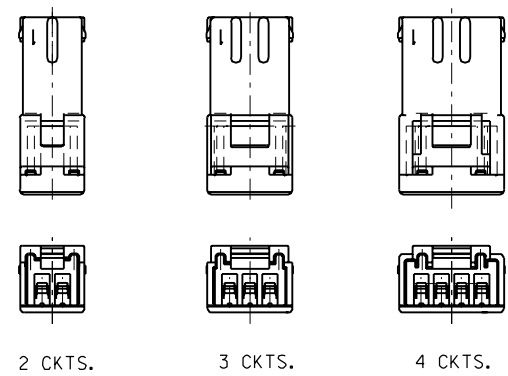
DWG. NO. SD-51227-002



トレードマーク
& キャビティー番号
TRADE MARK
& CAV. NO.

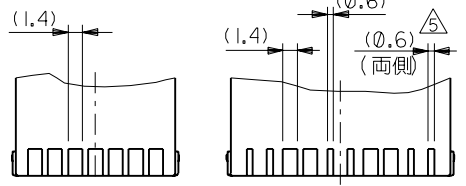
製品番号
ENG. NO.

回路番号 1
CKT. NO. 1



2 CKTS. 3 CKTS. 4 CKTS.

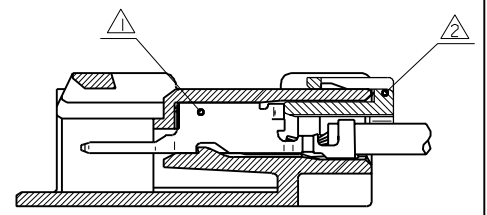
2, 3, 4種レイアウト図
LAYOUT OF 2, 3 & 4 CKTS.



VIEW "E"
ODD CKTS. SHAPE

VIEW "E"
EVEN CKTS. SHAPE

- 注記
NOTES
- ① 適合ターミナル : 56086シリーズ
 - ② 適合リテーナー : 51217シリーズ
APPLICABLE RETAINER : 51217 SERIES
 - 3. 嵌合相手 : 51216シリーズ
MATE WITH : 51216 SERIES
 - ④ 5~15極に適用。
APPLY 5-15 CIRCUITS.
 - ⑤ 10, 12, 14極に適用。
APPLY 10, 12, 14 CIRCUITS.



ターミナル及びリテーナー装着状態図
TERMINAL & RETAINER
ASSEMBLY DRAWING

	7.7	31.8	28	32.4	51227-1500	15
↑	29.8	26	30.4		-1400	14
	27.8	24	28.4		-1300	13
	25.8	22	26.4		-1200	12
	23.8	20	24.4		-1100	11
	21.8	18	22.4		-1000	10
	19.8	16	20.4		-0900	9
	17.8	14	18.4		-0800	8
	15.8	12	16.4		-0700	7
	13.8	10	14.4		-0600	6
↓	11.8	8	12.4		-0500	5
	9.8	6	10.4		-0400	4
	7.7	7.8	4	8.4	-0300	3
	6.4	5.8	2	6.4	51227-0200	2
	D	C	B	A	MATERIAL NO.	CKT.

EC NO. DRWN: CHK'g APPR:	EC NO. DRWN: CHK'g APPR:	EC NO. DRWN: CHK'g APPR:	EC NO. DRWN: CHK'g APPR:	RELEASED '01/06/21	MATERIAL 材料 PBTP, UL94V-0 [色: 自然色] [COLOR: NATURAL]	GENERAL TOLERANCES: (UNLESS SPECIFIED) 一般公差	SCALE	DESIGN UNITS	MODEL NO.	DIMENSIONS:		SHT	REV
				EC NO. JC2001-1002			10 UNDER 未満	mm	THIRD ANGLE PROJECTION	mm	mm ONLY		
0	0	0	0	DRWN: H.II	FINISH 仕上げ //	10 OVER 30 UNDER 未満	10 OVER 未満	H.II	TITLE: 2.0 mm WIRE TO WIRE CONN. PLUG HOUSING	MOLEX MOLEX INCORPORATED		1	OF 1
				CHK'g: T.YAMAGUCHI			30 OVER 以上	T.YAMAGUCHI '01/06/21		MATERIAL NO.	DRAWING NO.		
				APPR: T.YAMAGUCHI	WIRE RANGE 適用電線範囲 //	30 OVER 以上	30 OVER 以上	T.YAMAGUCHI '01/06/21	SEE CHART	SD-51227-002	B		
				REV	INS. RANGE 被覆外径 //	ANGLE 角度	51227002.S01						

THIS DRAWING CONTAINS INFORMATION THAT IS PROPRIETARY TO MOLEX INCORPORATED AND SHOULD NOT BE USED WITHOUT WRITTEN PERMISSION.

A 51227002.S01