



Chipsmall Limited consists of a professional team with an average of over 10 year of expertise in the distribution of electronic components. Based in Hongkong, we have already established firm and mutual-benefit business relationships with customers from,Europe,America and south Asia,supplying obsolete and hard-to-find components to meet their specific needs.

With the principle of “Quality Parts,Customers Priority,Honest Operation,and Considerate Service”,our business mainly focus on the distribution of electronic components. Line cards we deal with include Microchip,ALPS,ROHM,Xilinx,Pulse,ON,Everlight and Freescale. Main products comprise IC,Modules,Potentiometer,IC Socket,Relay,Connector.Our parts cover such applications as commercial,industrial, and automotives areas.

We are looking forward to setting up business relationship with you and hope to provide you with the best service and solution. Let us make a better world for our industry!



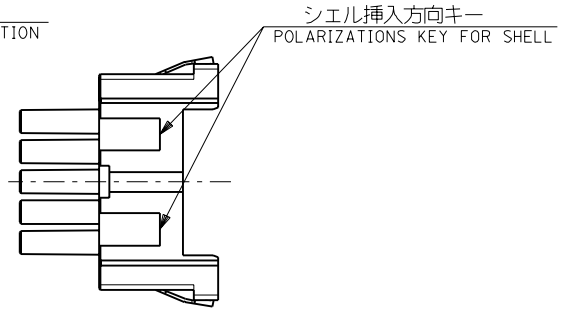
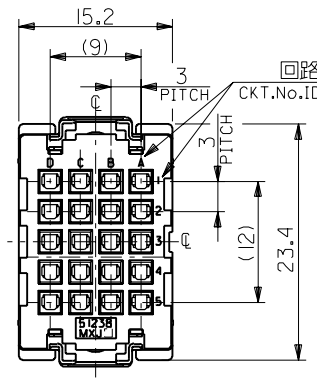
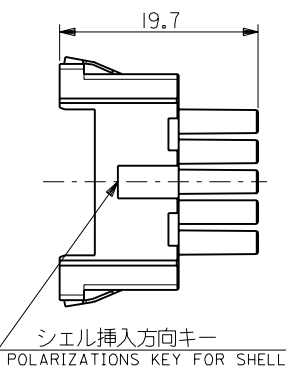
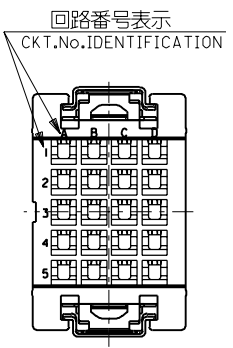
Contact us

Tel: +86-755-8981 8866 Fax: +86-755-8427 6832

Email & Skype: info@chipsmall.com Web: www.chipsmall.com

Address: A1208, Overseas Decoration Building, #122 Zhenhua RD., Futian, Shenzhen, China





注記
NOTES

1. 材質 MATERIAL
 ①ハウジング：ガラス入りPBT樹脂
 HOUSING : PBT G.F.
 UL94V-0 色：黒
 UL94V-0 COLOR : BLACK
 ②スプリング：ステンレス鋼 t0.3
 SPRING : STAINLESS STEEL t0.3
2. 適用端子：56120-8*90 , 56121-8*90
 APPLICABLE CRIMP PIN : 56120-8*90 , 56121-8*90
3. 適用リセプタクル シエル：56377-20**
 APPLICABLE RECEPTACLE SHELL : 56377-20**
4. 嵌合相手：51234-200*
 MEET WITH : 51234-200*

<誤嵌合防止キー(極性)タイプ> <POLARITY KEY TYPE>

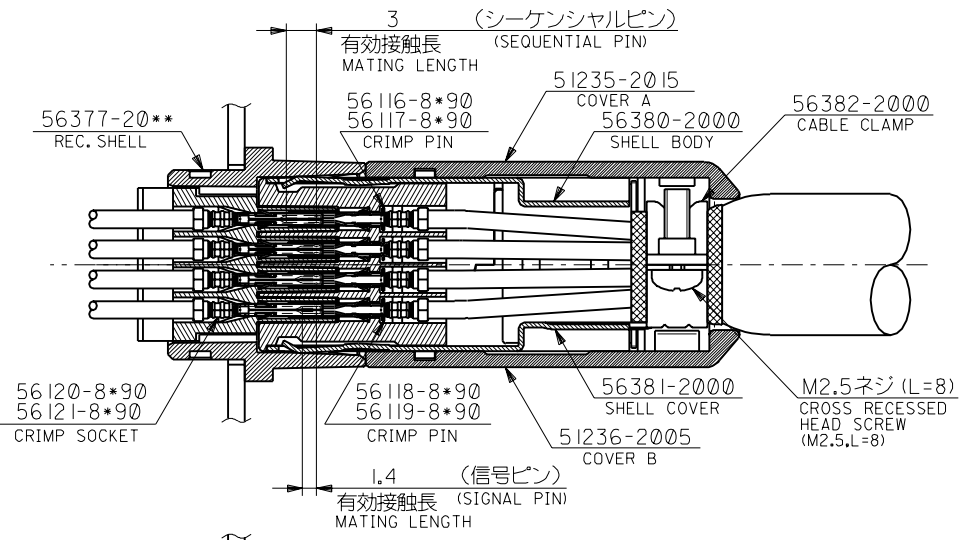
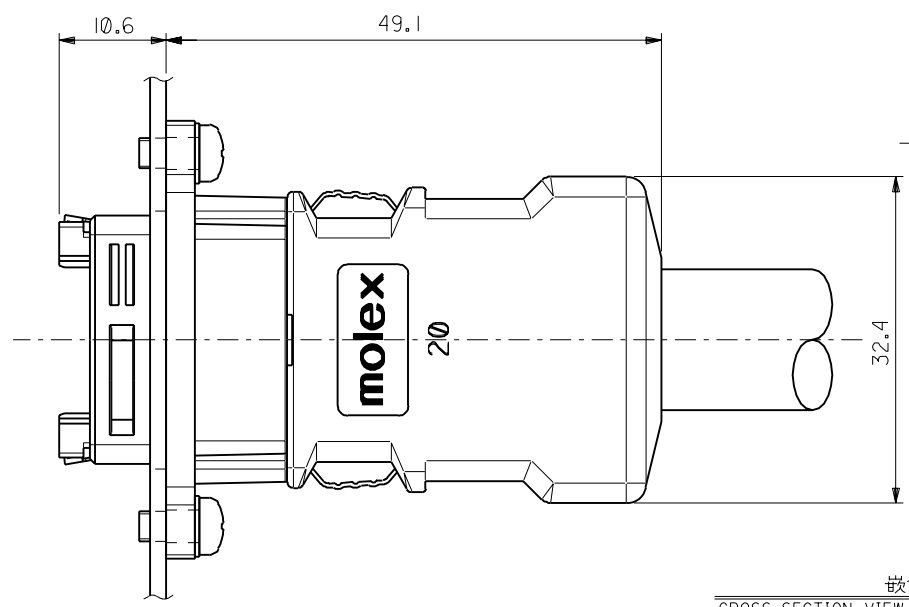
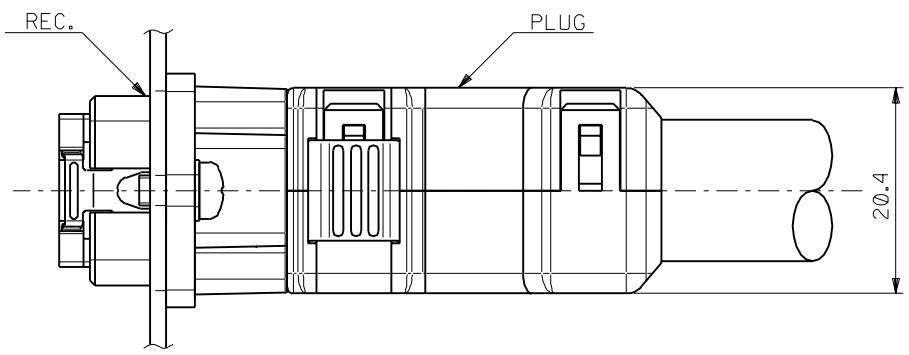
51238-2011	51238-2012	51238-2013	51238-2014	51238-2015
STANDARD TYPE	A TYPE	B TYPE	C TYPE	D TYPE

C-4	D	51238-2015	51238-***1*	20
C-3	C	51238-2014		
B-3	B	51238-2013		
B-2	A	51238-2012		
—	STANDARD	51238-2011		
POLARITY POSITION (CIRCUIT No.)	POLARITY TYPE	MATERIAL No.	MODEL No.	CIRCUIT

DO NOT SCALE DRAWING

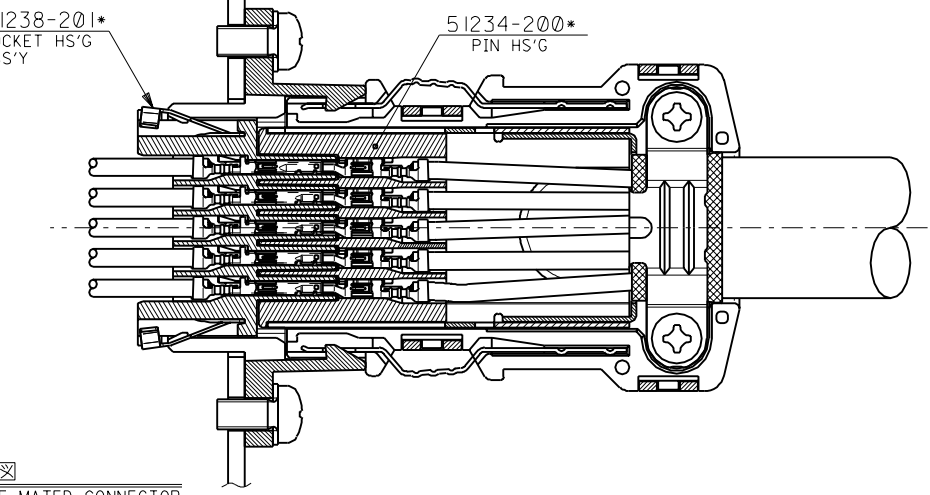
EC NO. DRWN: CHK: APPR:	EC NO. DRWN: CHK: APPR:	EC NO. DRWN: CHK: APPR:	REVISED 01/10/04 EC NO. J2002-0786 DRWN: S.AKIYAMA CHK: J.MIYAZAWA APPR: YO.ITO	RELEASED 01/02/16 EC NO. JD2001-1040 DRWN: S.AKIYAMA CHK: J.MIYAZAWA APPR: H.IKESUGI	MATERIAL 材料 #	注記参照 SEE NOTES	GENERAL TOLERANCES: (UNLESS SPECIFIED) 一般公差	SCALE 2-1	DESIGN UNITS <input checked="" type="checkbox"/> mm <input type="checkbox"/> INCH	THIRD ANGLE PROJECTION	DIMENSIONS: <input type="checkbox"/> mm <input type="checkbox"/> INCH <input checked="" type="checkbox"/> mm ONLY	SHT	REV
					FINISH 仕上げ #		10 UNDER 未満 ±0.2	30 UNDER 未満 ±0.25	30 OVER 以上 ±0.3	ANGLE 角度 ±3°			
					WIRE RANGE 適用線径範囲 #								
					INS. RANGE 被覆外径 #								
DRAWN BY & DATE S. Akizawa 1/01/25										TITLE: COMPACT ROBOT CONN. (CRC) REC. SOCKET HS'G ASS'Y			
CHECKED BY & DATE J. Miyazawa / Y. Ito										MATERIAL NO. SEE CHART			
APPROVED BY & DATE Yo. Ito										DRAWING NO. SD-51238-008			
CAD FILE NAME 51238008.S01										SHEET NO. 1 OF 4			
THIS DRAWING CONTAINS INFORMATION THAT IS PROPRIETARY TO MOLEX INCORPORATED AND SHOULD NOT BE USED WITHOUT WRITTEN PERMISSION.													SIZE B

DWG. NO.
SD-51238-008



嵌合図

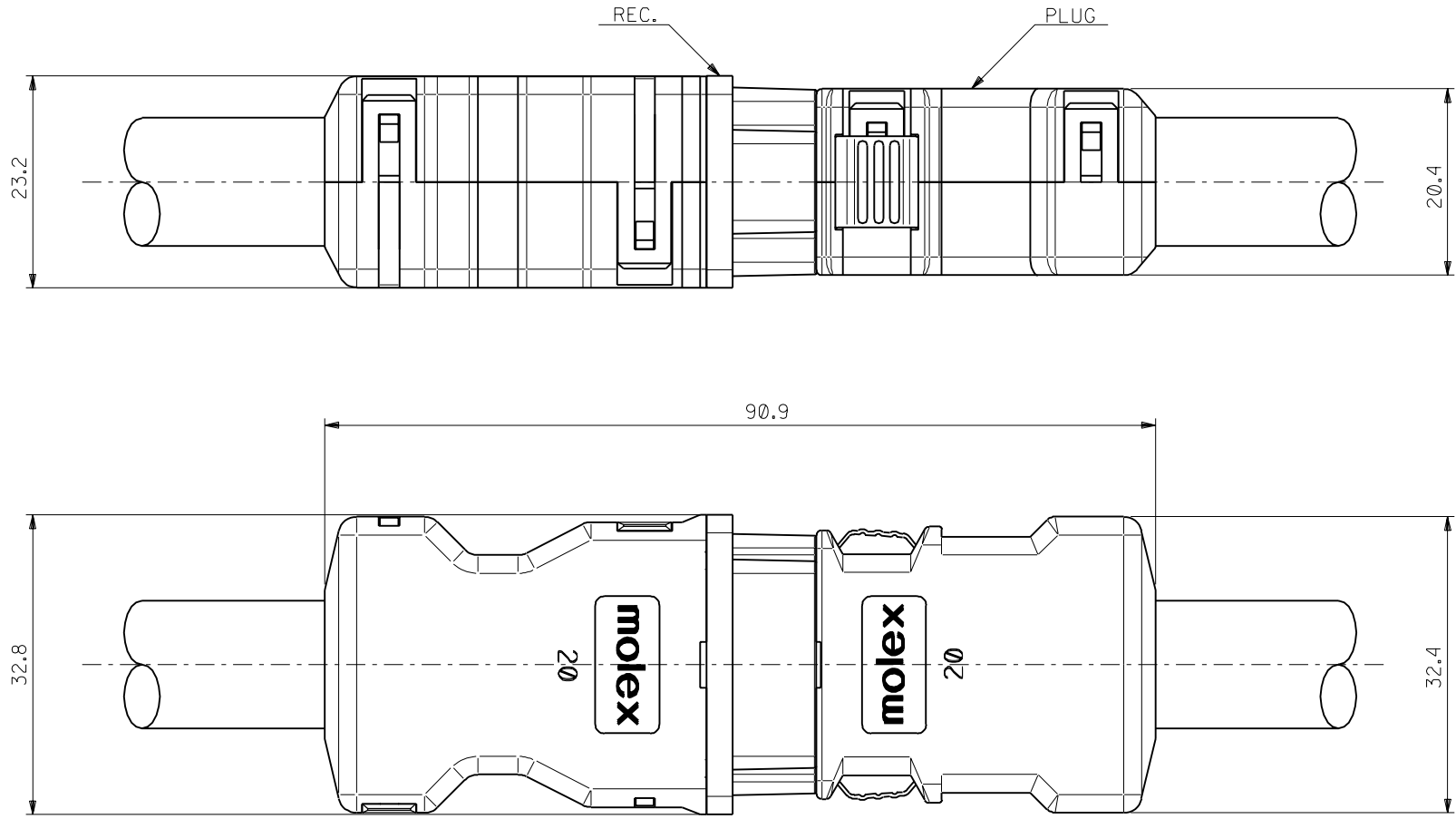
CROSS-SECTION VIEW OF MATED CONNECTOR



DO NOT SCALE DRAWING

EC NO. DRWN: CHK: APPR:	EC NO. DRWN: CHK: APPR:	EC NO. DRWN: CHK: APPR:	REVISED 01/10/04	MATERIAL 材料	GENERAL TOLERANCES: (UNLESS SPECIFIED) 一般公差	SCALE 2-1	DESIGN UNITS mm □ mm □ INCH	THIRD ANGLE PROJECTION	DIMENSIONS: mm □ mm □ INCH □ mm ONLY	SHT REVISE ON CAD ONLY	REV
			EC NO. J2002-0786 DRWN: S.AKIYAMA CHK: J.MIYAZAWA APPR: YO.ITO								
A	0	0	RELEASED 01/02/16	FINISH 仕上げ	10 OVER 以上	30 UNDER 未満	±0.25	APPROVED BY & DATE <i>J. Miyazawa</i> / 2/06	MATERIAL NO. SEE CHART	DRAWING NO. SD-51238-008	SHEET NO. 2 OF 4
			EC NO. JD2001-1040 DRWN: S.AKIYAMA CHK: J.MIYAZAWA APPR: H.IKESUGI								
				INS. RANGE 被覆外径	30 OVER 以上		±0.3	CAD FILE NAME 51238008.S01			
					ANGLE 角度		±3°	THIS DRAWING CONTAINS INFORMATION THAT IS PROPRIETARY TO MOLEX INCORPORATED AND SHOULD NOT BE USED WITHOUT WRITTEN PERMISSION.			SIZE B

51238008.S02



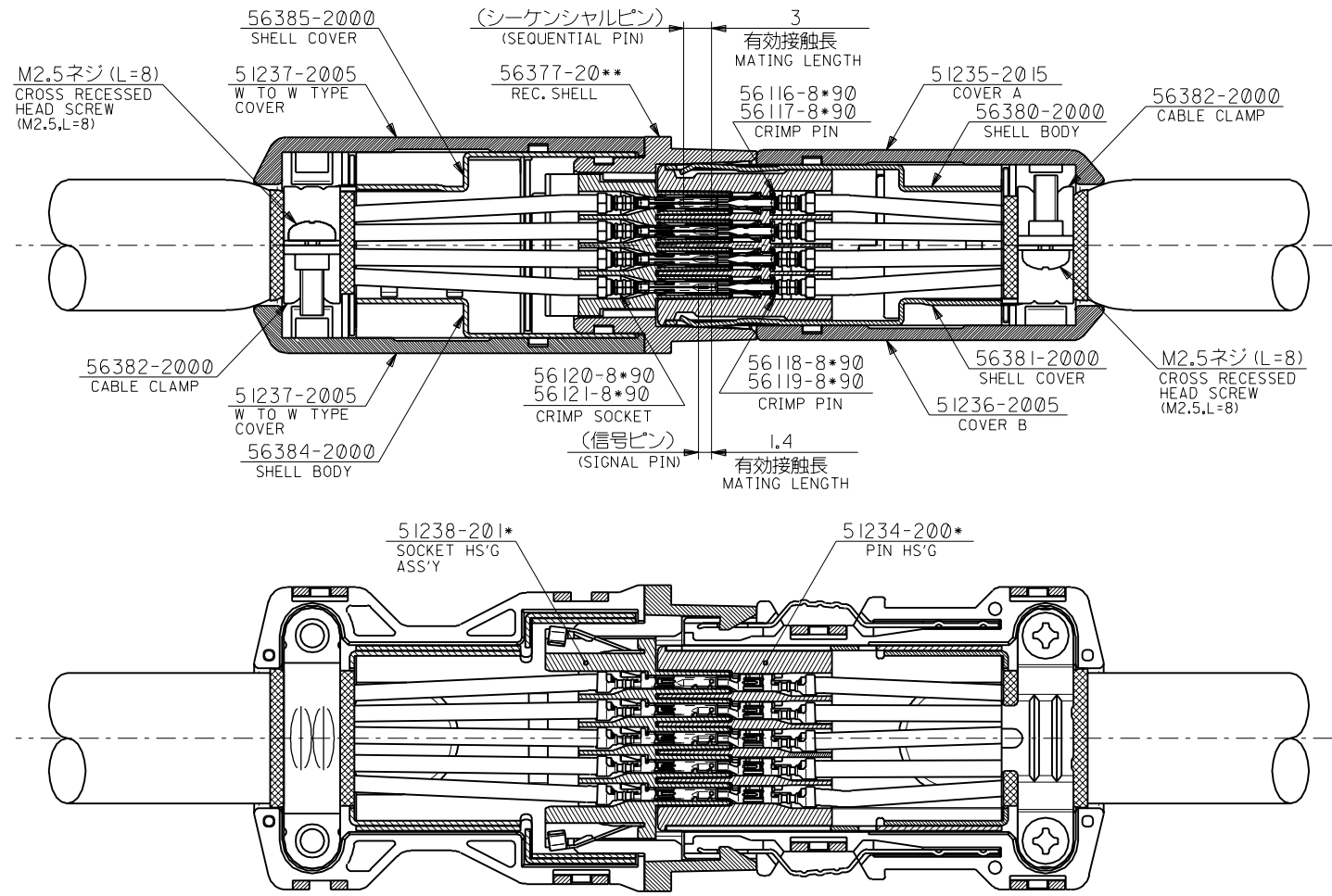
嵌合図 (中継タイプ)
CROSS-SECTION VIEW OF MATED CONNECTOR
(WIRE TO WIRE TYPE)

DO NOT SCALE DRAWING

EC NO. DRWN: CHK: APPR:	EC NO. DRWN: CHK: APPR:	EC NO. DRWN: CHK: APPR:	REVISED 01/10/04	MATERIAL 材料	GENERAL TOLERANCES: (UNLESS SPECIFIED) 一般公差	SCALE	DESIGN UNITS	THIRD ANGLE PROJECTION	DIMENSIONS: <input type="checkbox"/> mm <input type="checkbox"/> INCH	<input checked="" type="checkbox"/> mm ONLY	SHT	REV REVISE ON CAD ONLY
			EC NO. J2002-0786 DRWN: S.AKIYAMA CHK: J.MIYAZAWA APPR: YO.ITO			10 UNDER 未満	2-1					
A	0	0	RELEASED 01/02/16	FINISH 仕上げ	注記参照 SEE NOTES	10 OVER 以上	30 UNDER 未満	TITLE:	COMPACT ROBOT CONN. (CRC) REC. SOCKET HS'G ASS'Y			
			EC NO. JD2001-1040 DRWN: S.AKIYAMA CHK: J.MIYAZAWA APPR: H.IKESUGI			30 OVER 以上						
REV	INS. RANGE 被覆外径	—	—	WIRE RANGE 適用電線範囲	—	ANGLE 角度	±3°	MATERIAL NO. SEE CHART	DRAWING NO. SD-51238-008	SHEET NO. 3 OF 4	THIS DRAWING CONTAINS INFORMATION THAT IS PROPRIETARY TO MOLEX INCORPORATED AND SHOULD NOT BE USED WITHOUT WRITTEN PERMISSION.	

51238008.S03

DWG. NO.
SD-51233-008



嵌合図 (中継タイプ)
CROSS-SECTION VIEW OF MATED CONNECTOR
(WIRE TO WIRE TYPE)

DO NOT SCALE DRAWING

EC NO. DRWN: CHK: APPR:	EC NO. DRWN: CHK: APPR:	EC NO. DRWN: CHK: APPR:	REVISED 01/10/04	MATERIAL 材料	GENERAL TOLERANCES: (UNLESS SPECIFIED) 一般公差	SCALE 2-1	DESIGN UNITS <input checked="" type="checkbox"/> mm <input type="checkbox"/> INCH	THIRD ANGLE PROJECTION	DIMENSIONS: <input type="checkbox"/> mm <input type="checkbox"/> INCH <input checked="" type="checkbox"/> mm ONLY	SHT	REV
			EC NO. J2002-0786 DRWN: S.AKIYAMA CHK: J.MIYAZAWA APPR: YO.IITO								
A	0	0	RELEASED 01/02/16	FINISH 仕上げ	10 OVER 30 UNDER 以上 未満	±0.25	±0.3	APPROVED BY & DATE <i>J. Miyazawa</i> / 01/25	MATERIAL NO. SEE CHART	DRAWING NO. SD-51238-008	SHEET NO. 4 OF 4
			EC NO. JD2001-1040 DRWN: S.AKIYAMA CHK: J.MIYAZAWA APPR: H.IKESUGI								
				INS. RANGE 被覆外径	ANGLE 角度	±3°	CAD FILE NAME 51238008.S04		THIS DRAWING CONTAINS INFORMATION THAT IS PROPRIETARY TO MOLEX INCORPORATED AND SHOULD NOT BE USED WITHOUT WRITTEN PERMISSION.		