



Chipsmall Limited consists of a professional team with an average of over 10 year of expertise in the distribution of electronic components. Based in Hongkong, we have already established firm and mutual-benefit business relationships with customers from,Europe,America and south Asia,supplying obsolete and hard-to-find components to meet their specific needs.

With the principle of "Quality Parts,Customers Priority,Honest Operation,and Considerate Service",our business mainly focus on the distribution of electronic components. Line cards we deal with include Microchip,ALPS,ROHM,Xilinx,Pulse,ON,Everlight and Freescale. Main products comprise IC,Modules,Potentiometer,IC Socket,Relay,Connector.Our parts cover such applications as commercial,industrial, and automotives areas.

We are looking forward to setting up business relationship with you and hope to provide you with the best service and solution. Let us make a better world for our industry!



## Contact us

Tel: +86-755-8981 8866 Fax: +86-755-8427 6832

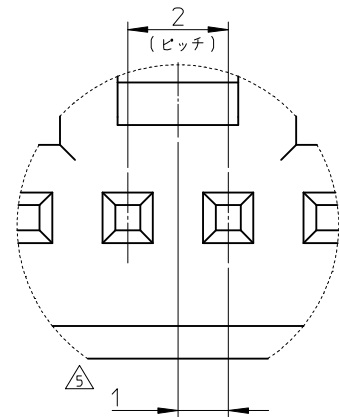
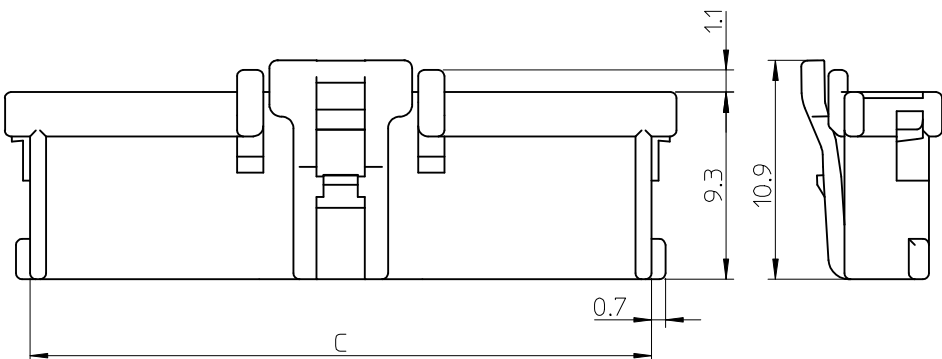
Email & Skype: info@chipsmall.com Web: www.chipsmall.com

Address: A1208, Overseas Decoration Building, #122 Zhenhua RD., Futian, Shenzhen, China



10 9 8 7 6 5 4 3 2 1

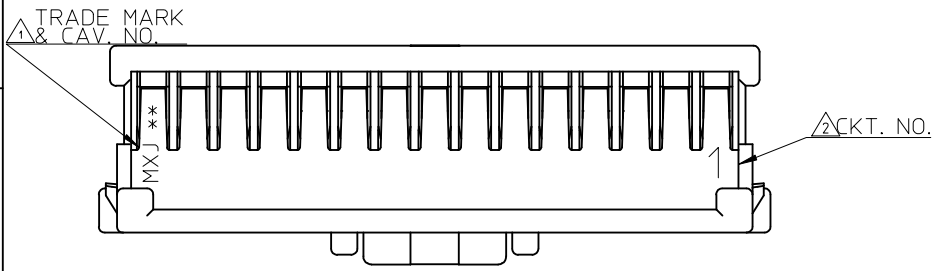
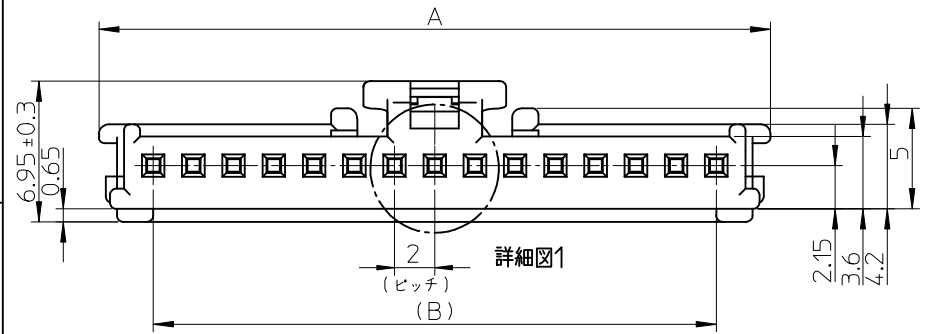
- NOTES  
 △ 文字の大きさは0.7にて鮮明な事。  
 SIZE OF LETTERS 0.7 AND CLEAR.  
 △ 文字の大きさは1にて鮮明な事。  
 SIZE OF LETTERS 1 AND CLEAR  
 3. 適合ターミナル: 59370, 56134 シリーズ  
 APPLICABLE TERM. : 59370, 56134 SERIES.  
 4. 嵌合相手: 55932, 55935 シリーズ  
 MATE WITH : 55932, 55935 SERIES.  
 △ 偶数極に適用。  
 APPLY EVEN CIRCUIT  
 6. 材料 66NYLON  
 7. 製品番号



詳細図1  
Scale 10:1

MATERIAL NO.  
51382-\*\*\*\*  
極数 CKT 色 COLOR

自然色 (白) NATURAL (WHITE)		00
黒 BLACK		01
赤 RED		02
黄 YELLOW		03
青 BLUE		04
桃 PINK		05
緑 GREEN		06
茶 BROWN		07
橙 ORANGE		08
紫 VIOLET		09
灰 GRAY		11
蛍光黄 FLUORESCENCE YELLOW		13
水 PALE BLUE		14
黄緑 YELLOWISH GREEN		16

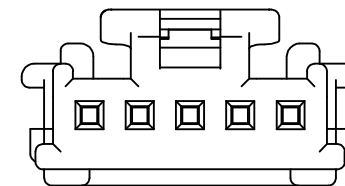
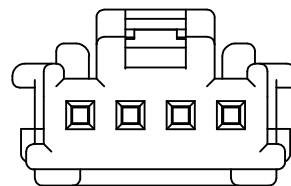
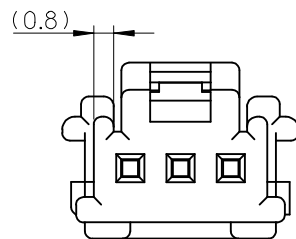
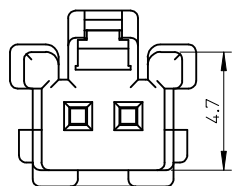
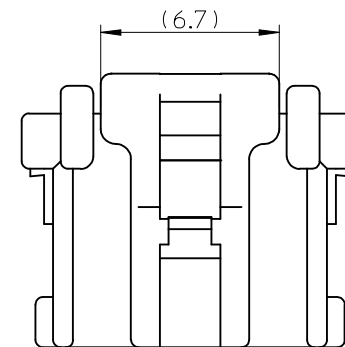
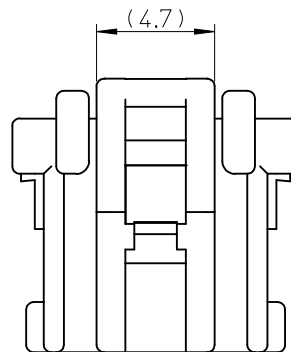
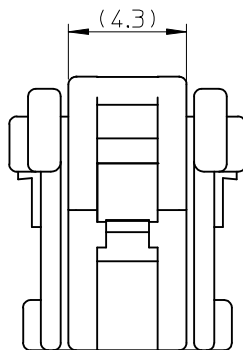
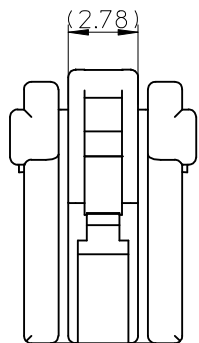


30.9	28	33.4	51382-15**	15
28.9	26	31.4	51382-14**	14
26.9	24	29.4	51382-13**	13
24.9	22	27.4	51382-12**	12
22.9	20	25.4	51382-11**	11
20.9	18	23.4	51382-10**	10
18.9	16	21.4	51382-09**	9
16.9	14	19.4	51382-08**	8
14.9	12	17.4	51382-07**	7
12.9	10	15.4	51382-06**	6
10.9	8	13.4	51382-05**	5
8.9	6	11.4	51382-04**	4
6.9	4	9.4	51382-03**	3
4.9	2	7.4	51382-02**	2
C	B	A	MATERIAL NO.	CKT

REVISED EC NO: J2013-0766 DRWN: YWAKE CHKD: APPR: Y01TO 2013/01/15 2013/01/15	GENERAL TOLERANCES (UNLESS SPECIFIED)		DIMENSION STYLE MM ONLY		SCALE 4:1	DESIGN UNITS METRIC	THIRD ANGLE PROJECTION		
	10 UNDER ±0.2 10 OVER 30 UNDER ±0.3 30 OVER ±0.3	ANGULAR ±3 ° DRAFT WHERE APPLICABLE MUST REMAIN WITHIN DIMENSIONS	DRAWN BY T. NIITSU DATE '02/31/19	CHECKED BY T. ITO DATE '02/10/22	APPROVED BY T. YAMAGU DATE '02/10/22	TITLE 2.0 W/B CONN. HOUSING			
	SEE TABLE		MATERIAL NO.		DOCUMENT NO.		SHEET NO.		
	SIZE A3		THIS DRAWING CONTAINS INFORMATION THAT IS PROPRIETARY TO MOLEX INCORPORATED AND SHOULD NOT BE USED WITHOUT WRITTEN PERMISSION						

9 8 7 6 5 4 3 2

10 9 8 7 6 5 4 3 2 1



2極品

3極品

4極品

5極品以上

REVISED EC NO: J2013-0766 DRWN: YMAKE CHKD: APPR: Y0 ITO	2013/01/15 2013/01/15	GENERAL TOLERANCES (UNLESS SPECIFIED)		DIMENSION STYLE MM ONLY		SCALE 5:1	DESIGN UNITS METRIC	THIRD ANGLE PROJECTION		
		10 UNDER	±0.2	DRAWN BY T. NIITSU	DATE '02/3/19	TITLE 2.0 W/B CONN. HOUSING				
		10 OVER 30 UNDER	±0.3	CHECKED BY T. ITO	DATE '02/10/22					
		30 OVER	±0.3	APPROVED BY T. YAMAGU	DATE '02/10/22					
ANGULAR ±3 °		DRAFT WHERE APPLICABLE MUST REMAIN WITHIN DIMENSIONS		MATERIAL NO. SEE SHEET 1		DOCUMENT NO. SD-51382-002		SHEET NO. 2 OF 2		
THIS DRAWING CONTAINS INFORMATION THAT IS PROPRIETARY TO MOLEX INCORPORATED AND SHOULD NOT BE USED WITHOUT WRITTEN PERMISSION										

9 8 7 6 5 4 3 2