



Chipsmall Limited consists of a professional team with an average of over 10 year of expertise in the distribution of electronic components. Based in Hongkong, we have already established firm and mutual-benefit business relationships with customers from,Europe,America and south Asia,supplying obsolete and hard-to-find components to meet their specific needs.

With the principle of “Quality Parts,Customers Priority,Honest Operation,and Considerate Service”,our business mainly focus on the distribution of electronic components. Line cards we deal with include Microchip,ALPS,ROHM,Xilinx,Pulse,ON,Everlight and Freescale. Main products comprise IC,Modules,Potentiometer,IC Socket,Relay,Connector.Our parts cover such applications as commercial,industrial, and automotives areas.

We are looking forward to setting up business relationship with you and hope to provide you with the best service and solution. Let us make a better world for our industry!



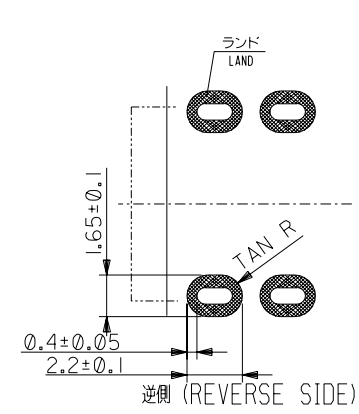
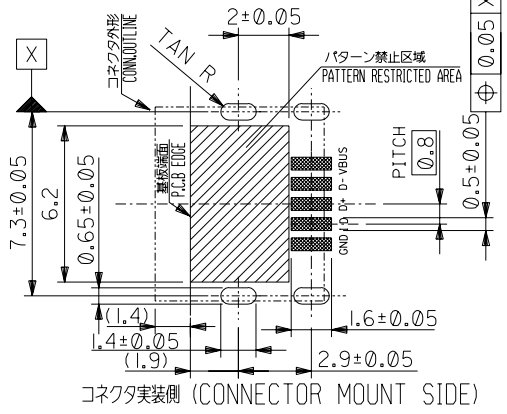
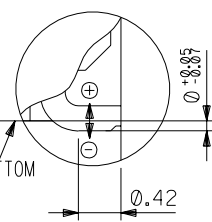
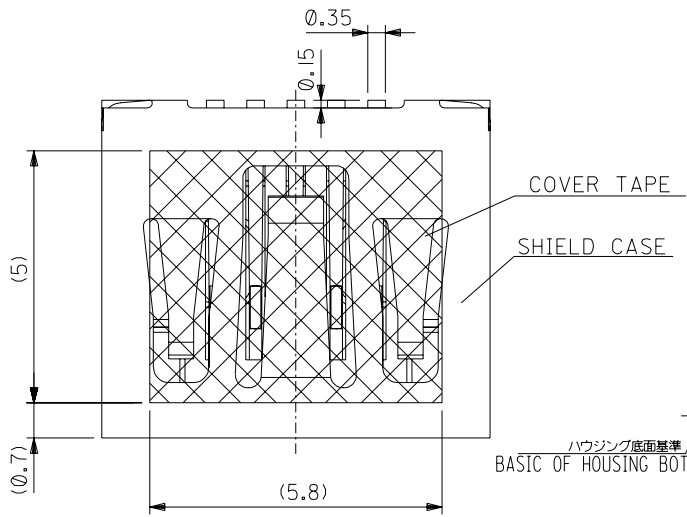
Contact us

Tel: +86-755-8981 8866 Fax: +86-755-8427 6832

Email & Skype: info@chipsmall.com Web: www.chipsmall.com

Address: A1208, Overseas Decoration Building, #122 Zhenhua RD., Futian, Shenzhen, China





推奨基板寸法
RECOMMENDED P.C.B. PATTERN LAYOUT

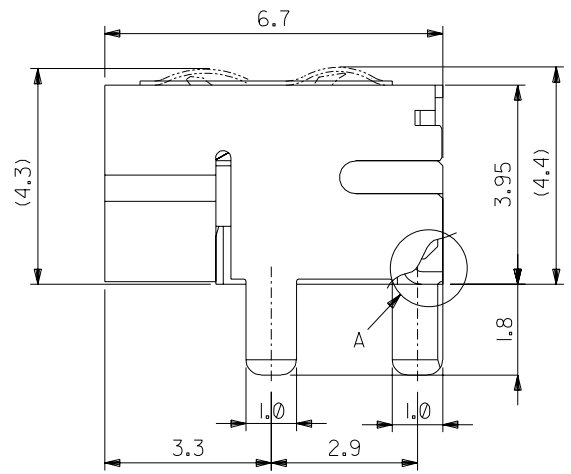
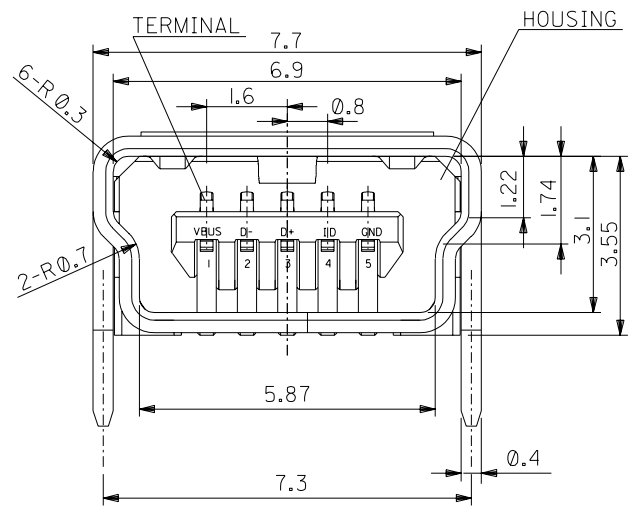
注記 1. 材質
NOTES MATERIAL

ハウジング: 耐熱樹脂 ガラス充填, 黒色, UL 94V-0
HOUSING: HEAT RESISTANT PLASTIC, GLASS FILLED, BLACK, UL94V-0
ターミナル: 銅合金 (t=0.25)
TERMINAL: COPPER ALLOY (t=0.25)
シールド ケース: 銅合金 (t=0.4)
SHIELD CASE: COPPER ALLOY (t=0.4)
カバー テープ: ポリイミド (t=0.08)
COVER TAPE: POLYIMIDE (t=0.08)

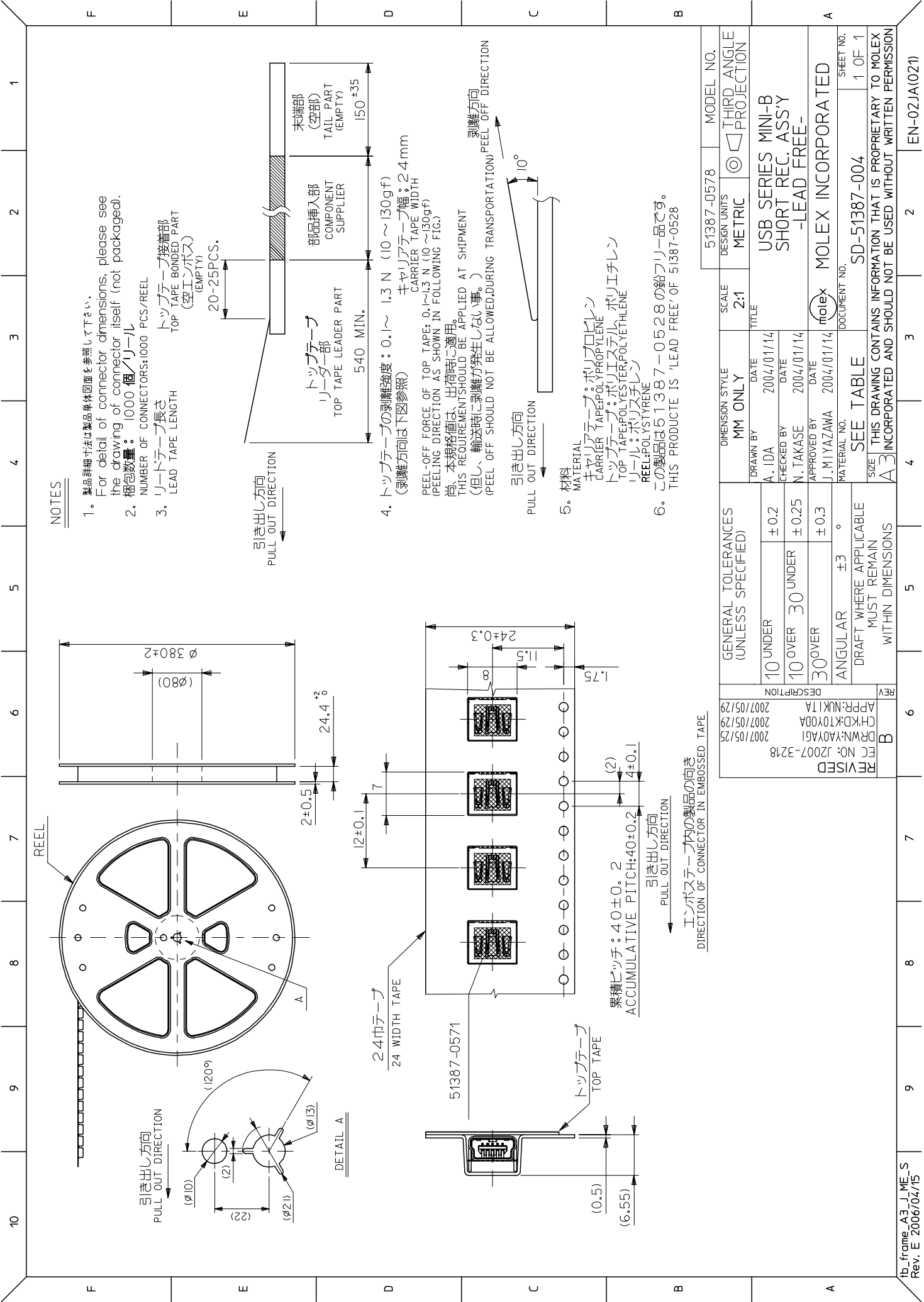
2. メッキ仕様
PLATING

ターミナル
TERMINAL
接点部: 金メッキ
CONTACT AREA: GOLD
半田付け部: 錫メッキ
SOLDER TAIL AREA: TIN
下地部: ニッケルメッキ
UNDER PLATING: NICKEL
シールド ケース
SHIELD CASE
: 錫メッキ
: TIN
下地部: ニッケル
UNDER PLATING: NICKEL

3. テール平坦度は 0.1mm MAX.
TAIL COPLANARITY 0.1mm MAX.
4. この製品は 51387-0521 の鉛フリー品です。
THIS PRODUCT IS 'LEAD FREE' OF 51387-0521



EC NO. DRWN: CHK: APPR:	EC NO. DRWN: CHK: APPR:	EC NO. DRWN: CHK: APPR:	REVISED ECNNO. J2004-2497 DRWN: A.IDA '04/02/18 CHK: H.TAKASE APPR: MIYAZAWA/YO.ITO	RELEASED ECNNO. J2004-1896 DRWN: A.IDA '04/01/14 CHK: H.TAKASE APPR: MIYAZAWA/YO.ITO	MATERIAL 材料 SEE NOTES	GENERAL TOLERANCES: (UNLESS SPECIFIED) 一般公差	SCALE 10 - 1 mm INCH	DESIGN UNITS mm INCH	THIRD ANGLE PROJECTION	DIMENSIONS: mm INCH mm ONLY	SHT REVISE ON CAD ONLY	REV
			A	0	FINISH 仕上げ SEE NOTES	10 UNDER 未満 ±0.2	DRAWN BY & DATE A. Iida '04/01/14	TITLE: USB SERIES MINI-B SHORT TYPE 2 RECEPTACLE ASS'Y -LEAD FREE-				
					WIRE RANGE 適用線径範囲	10 OVER 30 UNDER 以上 未満 ±0.25	CHECKED BY & DATE H. Takase '04/01/14					
					INS. RANGE 被覆外径	30 OVER 以上 ±0.3	APPROVED BY & DATE Y. Ito '04/01/14					
						ANGLE 角度 ±3°	CAD FILENAME SD-51387-003.S01					
							MATERIAL NO. 51387-0571					
							DRAWING NO. SD-51387-003					
							SHEET NO. 1 OF 1					



NOTES

- 製品詳細寸法は製品単体図面を参照して下さい。
 For detail of connector dimensions, please see the drawing of connector itself (not packaged).
- 梱包数量: 1000 個/リール
 NUMBER OF CONNECTORS: 1000 PCS/REEL
- リードテープ長さ
 LEAD TAPE LENGTH
 トップテープ接着部
 TOP TAPE BONDED PART
 (空エッジ/ボス)
 (EMPTY)
 20-25PCS.
- トップテープの剥離強度: 0.1 ~ 1.3 N (10 ~ 130gf)
 キャリアテープ幅: 24mm
 CARRIER TAPE WIDTH
 PEEL-OFF FORCE OF TOP TAPE: 0.1~1.3 N (10~130gf)
 PEELING DIRECTION AS SHOWN IN FOLLOWING FIG.)
 尚、本規格値は、出荷時に適用
 THIS REQUIREMENT SHOULD BE APPLIED AT SHIPMENT
 (但し、輸送時に剥離が発生しない事。)
 (PEEL OFF SHOULD NOT BE ALLOWED DURING TRANSPORTATION) PEEL OFF DIRECTION
 剥離方向
 引き出し方向
 PULL OUT DIRECTION
 10°
- 材料
 MATERIAL
 キャリアテープ: ポリプロピレン
 CARRIER TAPE: POLYPROPYLENE
 トップテープ: ポリエチレン
 TOP TAPE: POLYESTER, POLYETHYLENE
 リール: ポリスチレン
 REEL: POLYSTYRENE
- この製品は 51387-0528 の鉛フリー品です。
 THIS PRODUCT IS 'LEAD FREE' OF 51387-0528

エンボステープ内の製品の向き
 DIRECTION OF CONNECTOR IN EMBOSSED TAPE

GENERAL TOLERANCES (UNLESS SPECIFIED)		DIMENSION STYLE	SCALE	DESIGN UNITS	MODEL NO.
10 UNDER	±0.2	MM ONLY	2:1	METRIC	51387-0578
10 OVER	±0.25	DATE	TITLE	THIRD ANGLE PROJECTION	
30 OVER	±0.3	2004/01/14	USB SERIES MINI-B SHORT REC. ASSY -LEAD FREE-		
ANGULAR	±3	CHECKED BY			
DRAFT WHERE APPLICABLE MUST REMAIN WITHIN DIMENSIONS		2004/01/14			
REVISION		DATE			
B	REVISED	2007/05/25			
DESCRIPTION		DATE			
FC NO: J2007-3218		2007/05/29			
DRW: YADYAGI					
CHK: KATOYODA					
APP: NUKITA					
2007/05/29					
SEE TABLE		DOCUMENT NO.			
		SD-51387-004			
		SHEET NO.			
		1 OF 1			
		THIS DRAWING CONTAINS INFORMATION THAT IS PROPRIETARY TO MOLEX INCORPORATED AND SHOULD NOT BE USED WITHOUT WRITTEN PERMISSION			