



Chipsmall Limited consists of a professional team with an average of over 10 year of expertise in the distribution of electronic components. Based in Hongkong, we have already established firm and mutual-benefit business relationships with customers from,Europe,America and south Asia,supplying obsolete and hard-to-find components to meet their specific needs.

With the principle of “Quality Parts,Customers Priority,Honest Operation,and Considerate Service”,our business mainly focus on the distribution of electronic components. Line cards we deal with include Microchip,ALPS,ROHM,Xilinx,Pulse,ON,Everlight and Freescale. Main products comprise IC,Modules,Potentiometer,IC Socket,Relay,Connector.Our parts cover such applications as commercial,industrial, and automotives areas.

We are looking forward to setting up business relationship with you and hope to provide you with the best service and solution. Let us make a better world for our industry!



Contact us

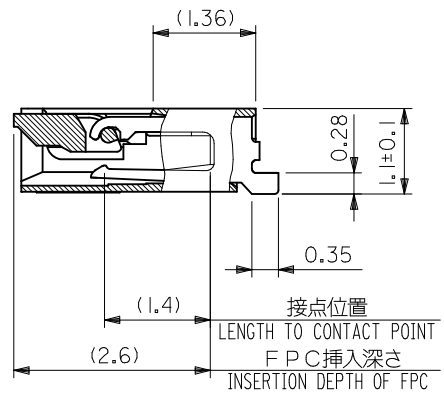
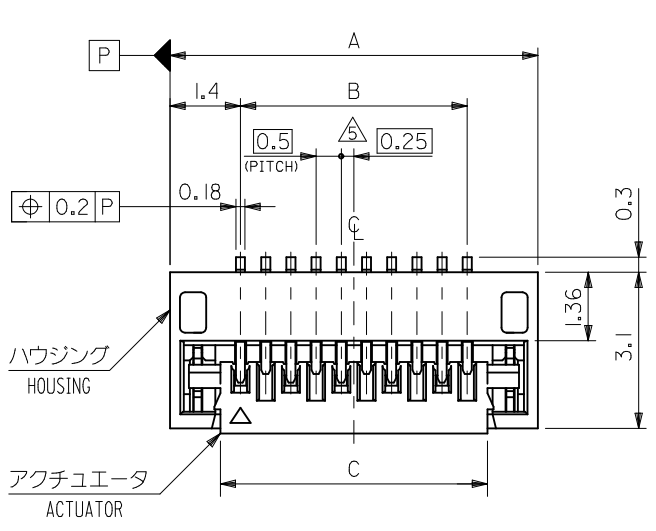
Tel: +86-755-8981 8866 Fax: +86-755-8427 6832

Email & Skype: info@chipsmall.com Web: www.chipsmall.com

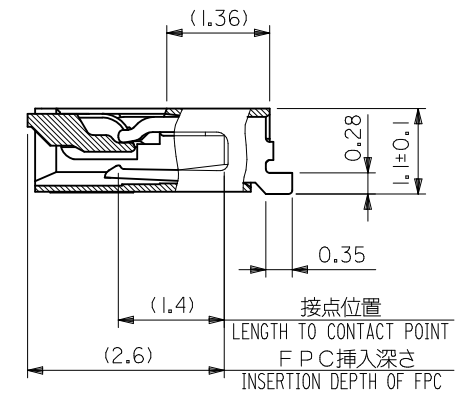
Address: A1208, Overseas Decoration Building, #122 Zhenhua RD., Futian, Shenzhen, China



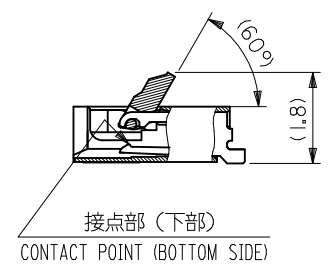
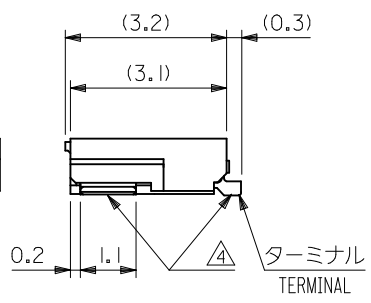
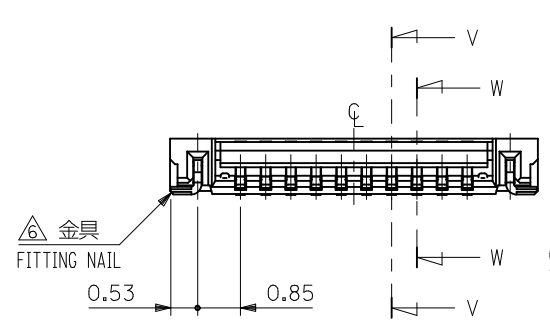
10 9 8 7 6 5 4 3 2 1



断面 V-V 奇数極
SECT. V-V (ODD CKT)



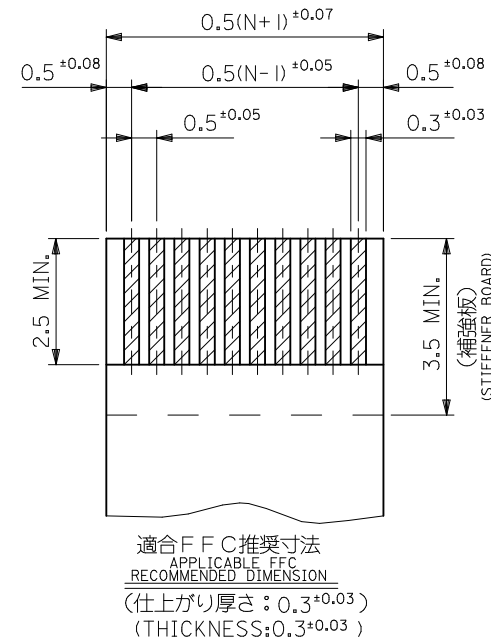
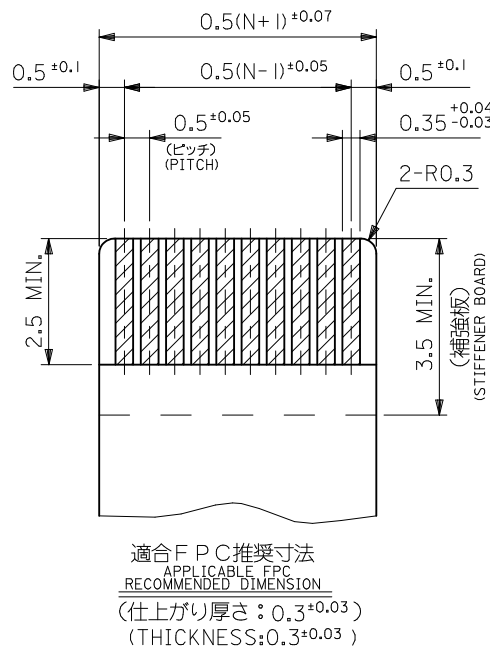
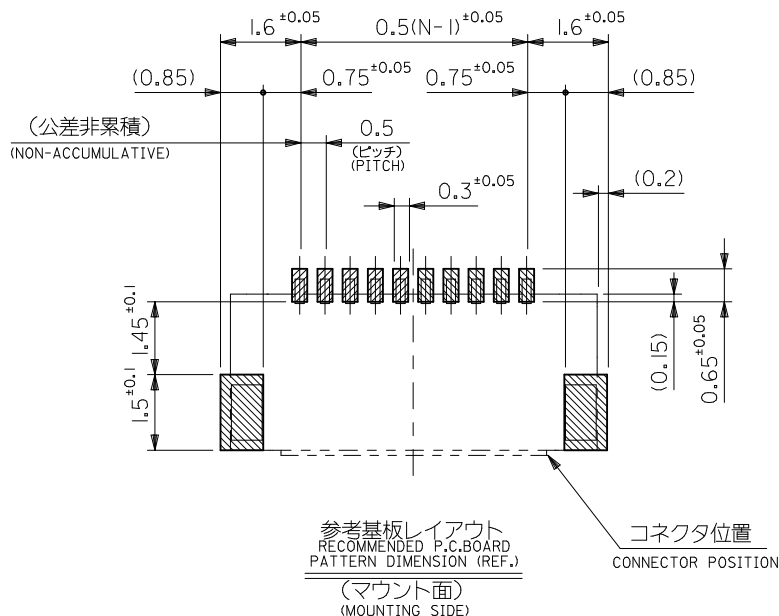
断面 W-W 偶数極
SECT. W-W (EVEN CKT)



(アクチュエータが開いた状態)
(WHEN ACTUATOR IS OPENED)

12.3	11.5	14.3	51441-2472	24
11.3	10.5	13.3	51441-2272	22
10.3	9.5	12.3	51441-2072	20
6.3	5.5	8.3	51441-1272	12
5.8	5.0	7.8	51441-1172	11
5.3	4.5	7.3	51441-1072	10
4.3	3.5	6.3	51441-0872	8
C	B	A	EMBOSSED TAPE	極数
			ORDER No. オーダー番号	CIRCUIT
CONNECTOR SERIES NO. 51441-**28				

REVISED EC NO: J2010-1656 DRWN: TONO 2010/02/15 CHKD: SHIMOMIYAMA 2010/02/15 APPR: KMORIKAWA 2010/02/15	DESCRIPTION	GENERAL TOLERANCES (UNLESS SPECIFIED)		DIMENSION STYLE MM ONLY		SCALE 10:1	DESIGN UNITS METRIC	THIRD ANGLE PROJECTION	
		10 UNDER	±0.2	DRAWN BY M. NABEI	DATE '05/06/29	TITLE 0.5 FPC CONN. (E/O) HSG ASSY BTM CONT(H=1.1)			
		10 OVER 30 UNDER	±0.25	CHECKED BY K. TOYODA	DATE '05/06/29	MOLEX INCORPORATED DOCUMENT NO. SD-51441-012 SHEET NO. 1 OF 2			
		30 OVER	±0.3	APPROVED BY N. UKITA	DATE '05/06/29				
		ANGULAR ±3 °	DRAFT WHERE APPLICABLE MUST REMAIN WITHIN DIMENSIONS	SEE TABLE		THIS DRAWING CONTAINS INFORMATION THAT IS PROPRIETARY TO MOLEX INCORPORATED AND SHOULD NOT BE USED WITHOUT WRITTEN PERMISSION			



注記 NOTES

1. 使用材料 MATERIAL

ハウジング : 液晶ポリマー ガラス充填, UL94V-0 (ベージュ)
HOUSING LIQUID CRYSTAL POLYMER GLASS FILLED, UL94V-0(BEIGE)
アクチュエータ: ポリフェニレンサルファイド ガラス充填, UL94V-0 (黒)
ACTUATOR POLYPHENYLENE SULFIDE GLASS FILLED, UL94V-0(BLACK)
ターミナル : リン青銅 (t=0.18)
TERMINAL PHOSPOR BRONZE
金具 : リン青銅 (t=0.15)
FITTING NAIL PHOSPOR BRONZE

2. メッキ仕様 PLATING

ターミナル TERMINAL
ニッケル下地金メッキ
GOLD OVER NICKEL PLATING
金具 FITTING NAIL
ニッケル下地金メッキ
TIN OVER NICKEL PLATING

3. エンボステープ梱包時は、アクチュエータが閉じた状態とする。
IN THE PACKAGE, ACTUATOR OF PART NO.51441-**-II SHOULD BE CLOSED.
- △ソルダータール及び金具の平坦度は、0.1以下。
SOLDER TAIL AND FITTING NAIL COPLANARITY TO BE 0.1 MAXIMUM.
- △偶数極に適用。
APPLY FOR EVEN CIRCUIT.
- △パターンはくり止め用金具
FITTING NAIL FOR PREVENTION OF PEELING OF PCB PATTERN.
7. 本製品は 51441-**-29 の部分金メッキ品である。
THIS PRODUCT IS SELECTIVE GOLD OF 51441-**-29.
8. ELV AND RoHS COMPLIANT.

FPC/FFCについて:

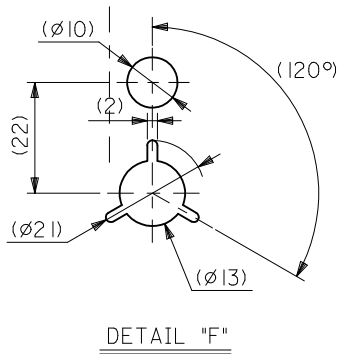
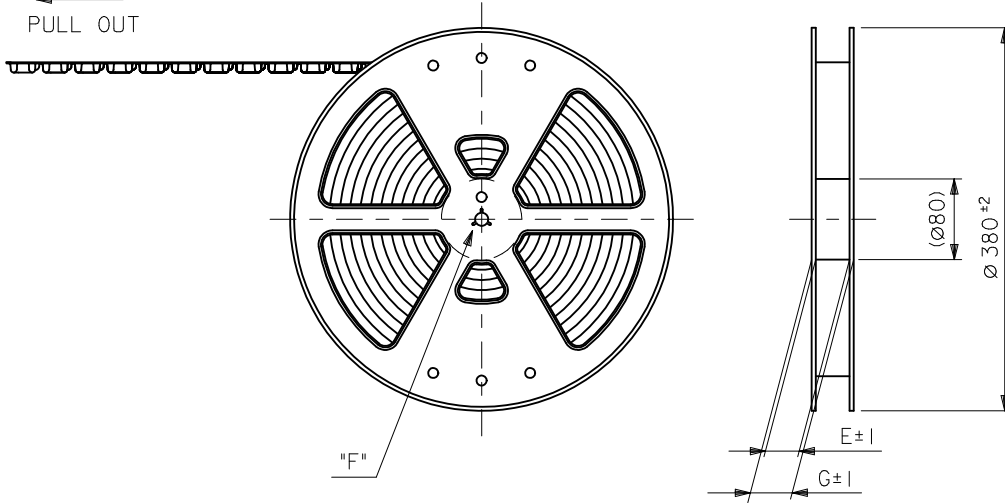
打抜き方向は導体側から補強板側を推奨いたします。
導体部については軟銅箔35マイクロメートルまたは50マイクロメートルを推奨いたします。
ABOUT FPC/FFC
RECOMMENDED PUNCHER DIRECTION : FROM CONDUCTOR SIDE TO STIFFENER FILM SIDE.
RECOMMENDED CONDUCTOR SPEC :
THICKNESS OF SOFT COPPER FOIL : 35 MICROMETER OR 50 MICROMETER

FPCについて:

補強フィルム材質はポリイミドを推奨します。
接着剤は熱硬化接着剤を推奨します。
ABOUT FPC
RECOMMENDED MATERIAL :
STIFFENER FILM : POLYIMIDE
BONDING AGENT : THERMOSETTING BONDING AGENT

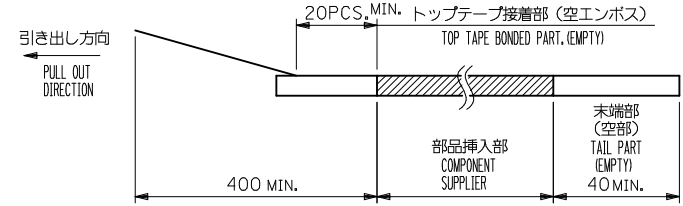
REVISED EC NO: J2010-1656 DRWN: TONO 2010/02/15 CHKD: HSHIMOIYAMA 2010/02/15 APPR: KMORIKAWA 2010/02/15	DESCRIPTION	GENERAL TOLERANCES (UNLESS SPECIFIED)		DIMENSION STYLE MM ONLY		SCALE 10:1	DESIGN UNITS METRIC	THIRD ANGLE PROJECTION	
		10 UNDER	±0.2	DRAWN BY M. NABEI	DATE '05/06/29	TITLE 0.5 FPC CONN. (E/O) HSG ASSY BTM CONT(H=1.1)			
		10 OVER 30 UNDER	±0.25	CHECKED BY K. TOYODA	DATE '05/06/29	MOLEX INCORPORATED DOCUMENT NO. SD-51441-012 SHEET NO. 2 OF 2			
		30 OVER	±0.3	APPROVED BY N. UKITA	DATE '05/06/29				
ANGULAR ±3 °		DRAFT WHERE APPLICABLE MUST REMAIN WITHIN DIMENSIONS		MATERIAL NO. SEE SHEET 1		THIS DRAWING CONTAINS INFORMATION THAT IS PROPRIETARY TO MOLEX INCORPORATED AND SHOULD NOT BE USED WITHOUT WRITTEN PERMISSION			

引き出し方向
PULL OUT

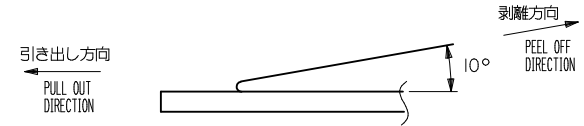


注記 NOTES

- 製品詳細寸法については、図面 SD-51441-012 を参照下さい。
RE DETAILED DIMENSION, SEE SD-51441-012.
- 梱包数量：3000個/リール
NUMBER OF CONNECTORS : 3000PCS/REEL
- リードテープ長さ LEAD TAPE LENGTH



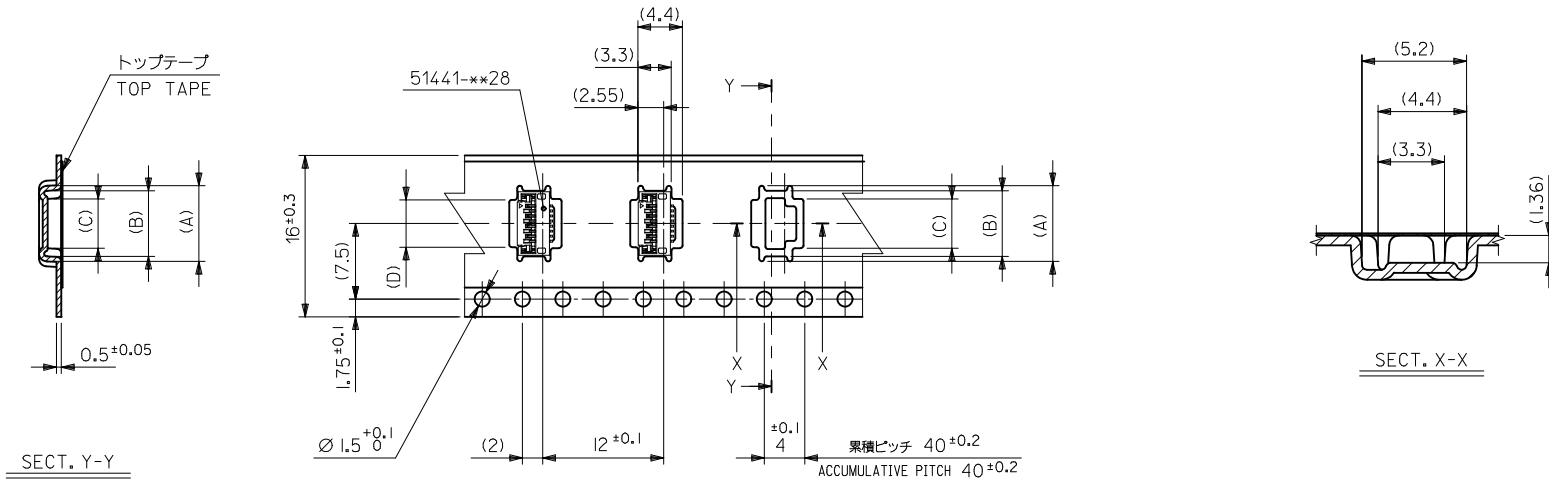
- トップテープの剥離強度：0.1~1.3N(10~130gf)
(剥離方向は下図参照)
尚、本規格値は出荷時に適用。(但し、輸送時に剥離が発生しないこと。)
PEELING OFF FORCE OF TOP TAPE : 0.1~1.3N(10~130gf)
(PEELING DIRECTION AS SHOWN IN FOLLOWING FIG.)
THIS REQUIREMENT SHOULD BE APPLIED AT SHIPMENT.
PEEL OFF SHOULD NOT BE ALLOWED, DURING TRANSPORTATION.



- 材料 (MATERIAL)
キャリアテープ (CARRIER TAPE)：ポリプロピレン (POLYPROPYLENE)
トップテープ (TOP TAPE)：PET, PE, PEF
リール (REEL)：ポリスチレン (PS) <リサイクル材を含む>
POLYSTYRENE(PS) <RECYCLE MATERIAL CONTAINED>
- 本製品は 51441-**-71 の部分金メッキ品である。
THIS PRODUCT IS SELECTIVE GOLD OF 51441-**-71.
- ELV AND RoHS COMPLIANT.

REVISED EC NO: J2010-1656 DRWN: TONO 2010/02/15 CHKD: SHIMOMIYAMA 2010/02/15 APPR: KMORIKAWA 2010/02/15	GENERAL TOLERANCES (UNLESS SPECIFIED)		DIMENSION STYLE MM ONLY		SCALE ---	DESIGN UNITS METRIC	THIRD ANGLE PROJECTION	
	10 UNDER	± 0.2	DRAWN BY M. NABEI	DATE '05/06/29	TITLE EMBSTP PKG FOR 0.5 FPC CONN E/O BTM CONT			
	10 OVER 30 UNDER	± 0.25	CHECKED BY K. TOYODA	DATE '05/06/29	MOLEX INCORPORATED			
	30 OVER	± 0.3	APPROVED BY N. UKITA	DATE '05/06/29				
ANGULAR	± 3 °	MATERIAL NO. SEE SHEET 2 OR 3		DOCUMENT NO. SD-51441-013		SHEET NO. 1 OF 3		
DRAFT WHERE APPLICABLE MUST REMAIN WITHIN DIMENSIONS		THIS DRAWING CONTAINS INFORMATION THAT IS PROPRIETARY TO MOLEX INCORPORATED AND SHOULD NOT BE USED WITHOUT WRITTEN PERMISSION						

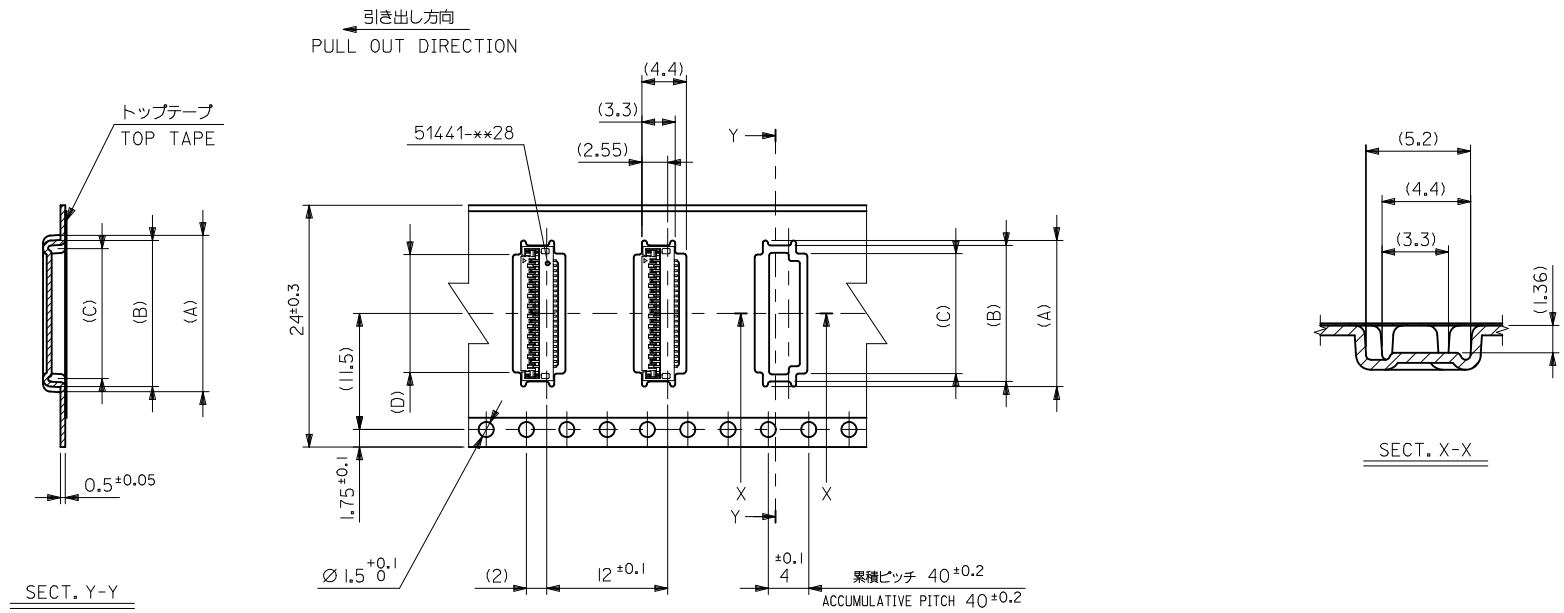
引き出し方向
PULL OUT DIRECTION



16 mm幅キャリアテープ
16mm WIDTH CARRIER TAPE

16	21.4	17.4	4.7	4.89	6.5	7.5	51441-0872	8
キャリアテープ幅 CARRIER TAPE WIDTH	G	E	(D)	(C)	(B)	(A)	製品番号 MATERIAL NO.	種数 CIRCUIT

REVISED EC NO: J2010-1656 DRWN: TONO 2010/02/15 CHKD: SHIMOMIYAMA 2010/02/15 APPR: KMORI KAWA 2010/02/15	GENERAL TOLERANCES (UNLESS SPECIFIED)		DIMENSION STYLE MM ONLY		SCALE ---		DESIGN UNITS METRIC		THIRD ANGLE PROJECTION	
	10 UNDER	±0.2	DRAWN BY M. NABEI		DATE '05/06/29		TITLE EMBSTP PKG FOR 0.5 FPC CONN E/O BTM CONT			
	10 OVER 30 UNDER	±0.25	CHECKED BY K. TOYODA		DATE '05/06/29					
	30 OVER	±0.3	APPROVED BY N. UKITA		DATE '05/06/29		MOLEX INCORPORATED DOCUMENT NO. SD-51441-013		SHEET NO. 2 OF 3	
REV	DESCRIPTION	ANGULAR ±3 °		MATERIAL NO. SEE TABLE		DOCUMENT NO. SD-51441-013		SHEET NO. 2 OF 3		
		DRAFT WHERE APPLICABLE MUST REMAIN WITHIN DIMENSIONS		SIZE A3		THIS DRAWING CONTAINS INFORMATION THAT IS PROPRIETARY TO MOLEX INCORPORATED AND SHOULD NOT BE USED WITHOUT WRITTEN PERMISSION				



24mm幅キャリアテープ
24mm WIDTH CARRIER TAPE

24	29.4	25.4	12.7	12.89	14.5	15.5	51441-2472	24
			11.7	11.89	13.5	14.5	51441-2272	22
			10.7	10.89	12.5	13.5	51441-2072	20
			6.7	6.89	8.5	9.5	51441-1272	12
			6.2	6.39	8.0	9.0	51441-1172	11
			5.7	5.89	7.5	8.5	51441-1072	10
キャリアテープ幅 CARRIER TAPE WIDTH	G	E	(D)	(C)	(B)	(A)	製品番号 MATERIAL NO.	種数 CIRCUIT

REVISED EC NO: J2010-1656 DRWN: TONO 2010/02/15 CHKD: SHIMOMIYAMA 2010/02/15 APPR: KMORIKAWA 2010/02/15	GENERAL TOLERANCES (UNLESS SPECIFIED)		DIMENSION STYLE MM ONLY		SCALE ---	DESIGN UNITS METRIC	THIRD ANGLE PROJECTION	
	10 UNDER	±0.2	DRAWN BY M. NABEI	DATE '05/06/29	TITLE EMBSTP PKG FOR 0.5 FPC CONN E/O BTM CONT			
	10 OVER 30 UNDER	±0.25	CHECKED BY K. TOYODA	DATE '05/06/29	MOLEX INCORPORATED			
	30 OVER	±0.3	APPROVED BY N. UKITA	DATE '05/06/29	DOCUMENT NO. SD-51441-013		SHEET NO. 3 OF 3	
	ANGULAR ±3 ° DRAFT WHERE APPLICABLE MUST REMAIN WITHIN DIMENSIONS		SIZE A3		THIS DRAWING CONTAINS INFORMATION THAT IS PROPRIETARY TO MOLEX INCORPORATED AND SHOULD NOT BE USED WITHOUT WRITTEN PERMISSION			