



Chipsmall Limited consists of a professional team with an average of over 10 year of expertise in the distribution of electronic components. Based in Hongkong, we have already established firm and mutual-benefit business relationships with customers from,Europe,America and south Asia,supplying obsolete and hard-to-find components to meet their specific needs.

With the principle of “Quality Parts,Customers Priority,Honest Operation,and Considerate Service”,our business mainly focus on the distribution of electronic components. Line cards we deal with include Microchip,ALPS,ROHM,Xilinx,Pulse,ON,Everlight and Freescale. Main products comprise IC,Modules,Potentiometer,IC Socket,Relay,Connector.Our parts cover such applications as commercial,industrial, and automotives areas.

We are looking forward to setting up business relationship with you and hope to provide you with the best service and solution. Let us make a better world for our industry!



Contact us

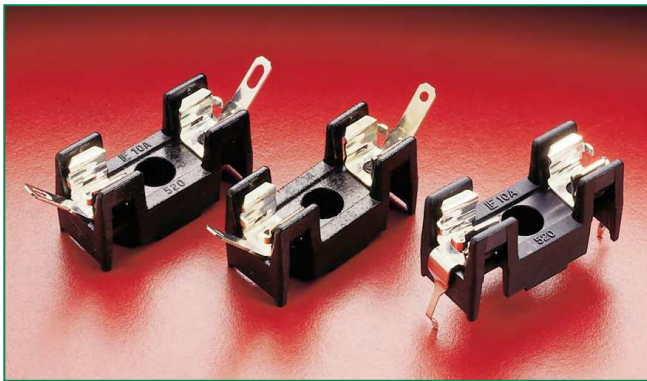
Tel: +86-755-8981 8866 Fax: +86-755-8427 6832

Email & Skype: info@chipsmall.com Web: www.chipsmall.com

Address: A1208, Overseas Decoration Building, #122 Zhenhua RD., Futian, Shenzhen, China



520 Series Metric OMNI-BLOK® Molded Base Fuse Block for 5×20mm Fuses



Agency Approval

Agency	Agency File Number
	E14721
	7316
	97121

Additional Information



Datasheet



Resources



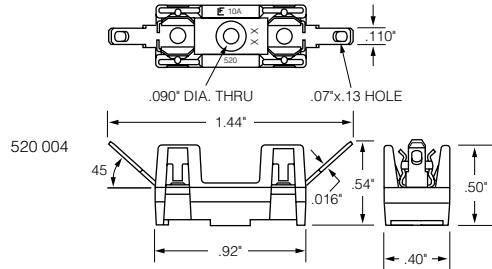
Samples

Product Characteristics

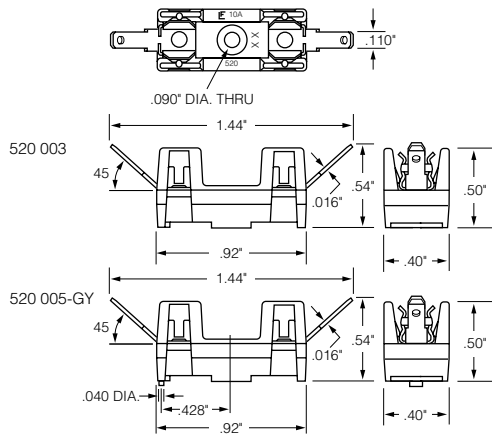
Compatible Fuse Sizes	5×20mm Fuses												
Description	The metric Omni-Blok® fuse block, for 5×20mm size fuses, is a low profile design that is available with a choice of solder type terminals, NEMA style QC terminals, or PC board mountable terminals. Each of these designs has tin plated brass terminals. A unique design feature provides self-alignment of the clips to the fuse caps. This feature, plus a one-piece clip/terminal design, assures low contact resistance. An anti-one-piece clip/terminal design, assures low contact resistance. An anti rotation feature is also available on the solder and QC terminal designs.												
Electrical	<table border="0"> <tr> <td></td> <td>UL/CSA</td> <td>VDE</td> </tr> <tr> <td>Solder Type</td> <td>— 10A, 600V., 6.3A, 250V</td> <td></td> </tr> <tr> <td>Q.C. Type</td> <td>— 10A, 600V. 6.3A, 250V</td> <td></td> </tr> <tr> <td>PCB Type</td> <td>— 10A, 600V. 6.3A, 250V</td> <td></td> </tr> </table>		UL/CSA	VDE	Solder Type	— 10A, 600V., 6.3A, 250V		Q.C. Type	— 10A, 600V. 6.3A, 250V		PCB Type	— 10A, 600V. 6.3A, 250V	
	UL/CSA	VDE											
Solder Type	— 10A, 600V., 6.3A, 250V												
Q.C. Type	— 10A, 600V. 6.3A, 250V												
PCB Type	— 10A, 600V. 6.3A, 250V												
Dielectric Strength	1500V., Minimum												
Clip/Terminals	Tin-Plated Spring Brass												
Base	Glass reinforced Thermoplastic. UL 94V0 flammability rating. Gray color (GY) for anti-rotational series, black color for all others.												
Ambient Temperature	–40°C to +85°C												

Product Dimensions

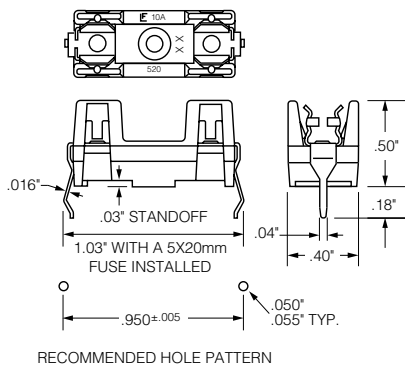
Solder Terminals Type:



Q.C. Terminals Type:



PC Board Mount Type:



Ordering Information

Ordering PN	Part Number	Width (B)	Clip/Terminal Material	Anti-Rotation Boss
Solder Terminals Type				
0520 0004 Z	520 004	.40"	Brass	No
Q.C. Terminals (NEMA Style .110") Type				
0520 0003 Z	520 003	.40"	Brass	No
0520 0005 ZXGY	520 005 GY	.40"	Brass	Yes
P.C. Board Mount Type				
0520 0101 Z	520 101	.40"	Brass	No