



Chipsmall Limited consists of a professional team with an average of over 10 year of expertise in the distribution of electronic components. Based in Hongkong, we have already established firm and mutual-benefit business relationships with customers from,Europe,America and south Asia,supplying obsolete and hard-to-find components to meet their specific needs.

With the principle of “Quality Parts,Customers Priority,Honest Operation,and Considerate Service”,our business mainly focus on the distribution of electronic components. Line cards we deal with include Microchip,ALPS,ROHM,Xilinx,Pulse,ON,Everlight and Freescale. Main products comprise IC,Modules,Potentiometer,IC Socket,Relay,Connector.Our parts cover such applications as commercial,industrial, and automotives areas.

We are looking forward to setting up business relationship with you and hope to provide you with the best service and solution. Let us make a better world for our industry!



Contact us

Tel: +86-755-8981 8866 Fax: +86-755-8427 6832

Email & Skype: info@chipsmall.com Web: www.chipsmall.com

Address: A1208, Overseas Decoration Building, #122 Zhenhua RD., Futian, Shenzhen, China



F

E

D

C

B

A

F

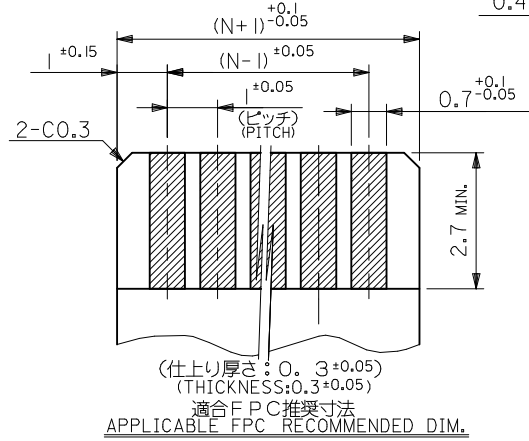
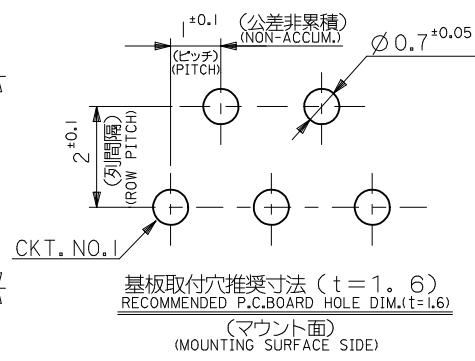
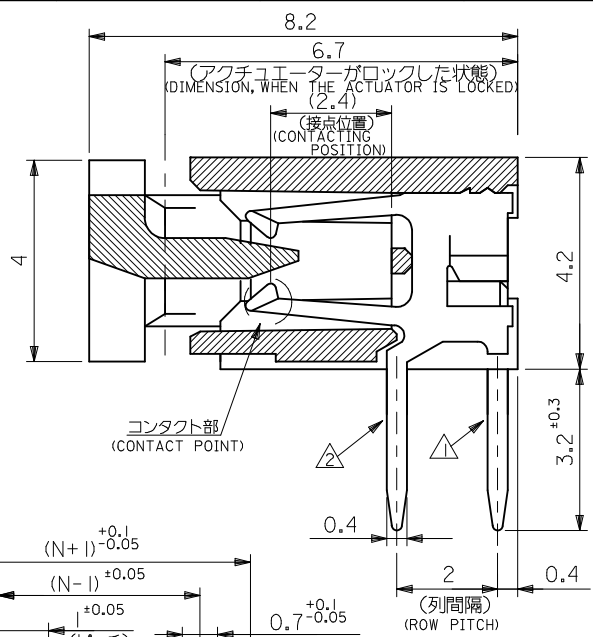
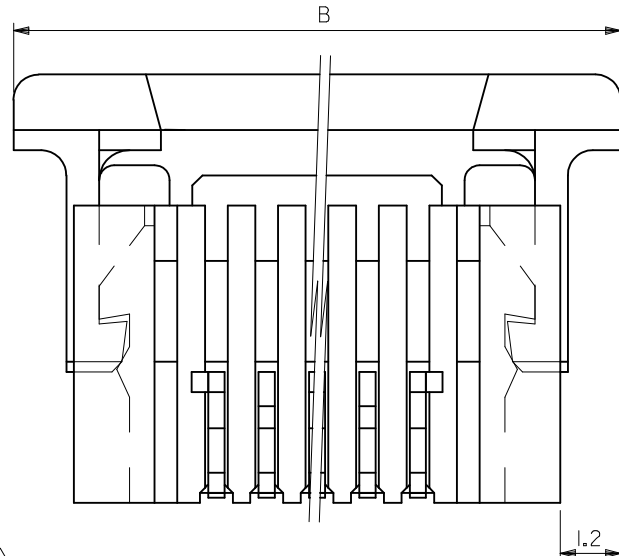
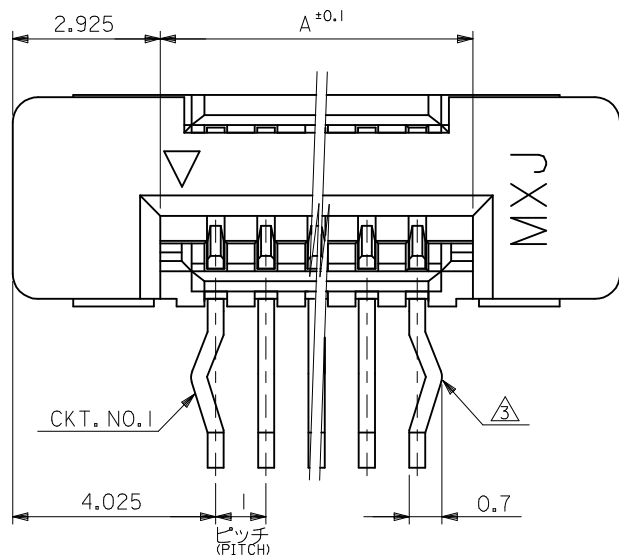
E

D

C

B

A



FPCについて:
 打抜き方向は導体側から補強板を推奨致します。補強フィルム材質はポリイミドを推奨致します。
 接着剤は熱硬化接着剤を推奨致します。
 ABOUT FPC:
 RECOMMENDED PUNCHER DIRECTION : FROM CONDUCTOR SIDE TO STIFFENER BOARD SIDE.
 RECOMMENDED MATERIAL :
 STIFFENER FILM : POLYIMIDE
 BONDING AGENT :
 THERMOSETTING BONDING AGENT

27.05	21.2	52043-2019	20
25.05	19.2	52043-1819	18
23.05	17.2	52043-1619	16
17.05	11.2	52043-1019	10
16.05	10.2	52043-0919	9
13.05	7.2	52043-0619	6
11.05	5.2	52043-0419	4
B	A	MATERIAL NO.	極数 CKT.

注記:
 NOTES:
 ① CKT. NO. 1を基準に偶数番目のソルダータール。
 EVEN NUMBER SOLDER TAIL.
 ② CKT. NO. 1を基準に奇数番目のソルダータール。
 ODD NUMBER SOLDER TAIL.
 ③ ソルダータールキックは、△のソルダータールの両端部に設ける。
 KINK TO BE APPLIED FOR THE BOTH END OF ODD NUMBER SOLDER TAIL
 4. 材 料: ターミナル: リン青銅、ニッケル下地 鍍びスマスメッキ (t=0.32)
 MATERIAL: TERMINAL: PHOSPHOR BRONZE, TIN-BISMUTH OVER NICKEL PLATING (t=0.32)
 ハウジング: 66ナイロン, UL94V-0
 HOUSING: 66NYLON, UL94V-0
 アクチュエーター: ポリエステル, UL94V-0
 ACTUATOR: POLYESTER, UL94V-0
 5. 本製品は 52043-**10 の鉛フリー品である。
 THIS PRODUCT IS LEAD FREE OF 52043-**10.

REVISED EC NO: J2016-1317 DRWN: YSHIBATA CHKD: Y0110 APPR: Y0110	GENERAL TOLERANCES (UNLESS SPECIFIED)		DIMENSION STYLE MM ONLY		SCALE 10:1	DESIGN UNITS METRIC	MODEL NO. 52043-**19	
	0.25 UNDER	UNDER	±0.03	DRAWN BY YWADA	DATE 2004/05/19	TITLE 1.0 FPC CONN. Z.I.F R/A		
	0.25 OVER	0.5 UNDER	±0.05	CHECKED BY MSASAO	DATE 2004/05/19			
	0.5 OVER	1.0 UNDER	±0.1	APPROVED BY	DATE			
1.0 OVER	10 UNDER	±0.2	MATERIAL NO.		DOCUMENT NO.	SHEET NO.		
10 OVER	30 UNDER	±0.25	SEE TABLE		SD-52043-002	1 OF 1		
30 OVER		±0.3	DRAFT WHERE APPLICABLE MUST REMAIN WITHIN DIMENSIONS		THIS DRAWING CONTAINS INFORMATION THAT IS PROPRIETARY TO MOLEX ELECTRONIC TECHNOLOGIES, LLC AND SHOULD NOT BE USED WITHOUT WRITTEN PERMISSION			
A	REV	SIZE A3						