



Chipsmall Limited consists of a professional team with an average of over 10 year of expertise in the distribution of electronic components. Based in Hongkong, we have already established firm and mutual-benefit business relationships with customers from,Europe,America and south Asia,supplying obsolete and hard-to-find components to meet their specific needs.

With the principle of “Quality Parts,Customers Priority,Honest Operation,and Considerate Service”,our business mainly focus on the distribution of electronic components. Line cards we deal with include Microchip,ALPS,ROHM,Xilinx,Pulse,ON,Everlight and Freescale. Main products comprise IC,Modules,Potentiometer,IC Socket,Relay,Connector.Our parts cover such applications as commercial,industrial, and automotives areas.

We are looking forward to setting up business relationship with you and hope to provide you with the best service and solution. Let us make a better world for our industry!



Contact us

Tel: +86-755-8981 8866 Fax: +86-755-8427 6832

Email & Skype: info@chipsmall.com Web: www.chipsmall.com

Address: A1208, Overseas Decoration Building, #122 Zhenhua RD., Futian, Shenzhen, China



F

E

D

C

B

A

F

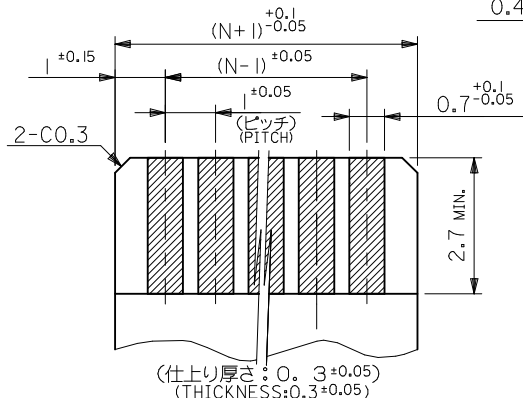
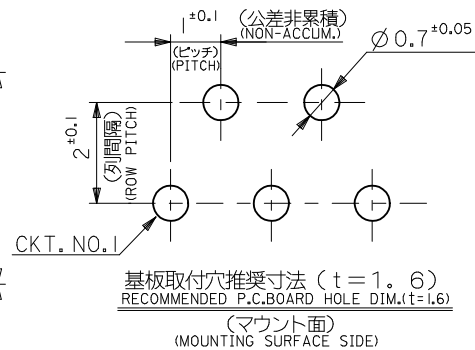
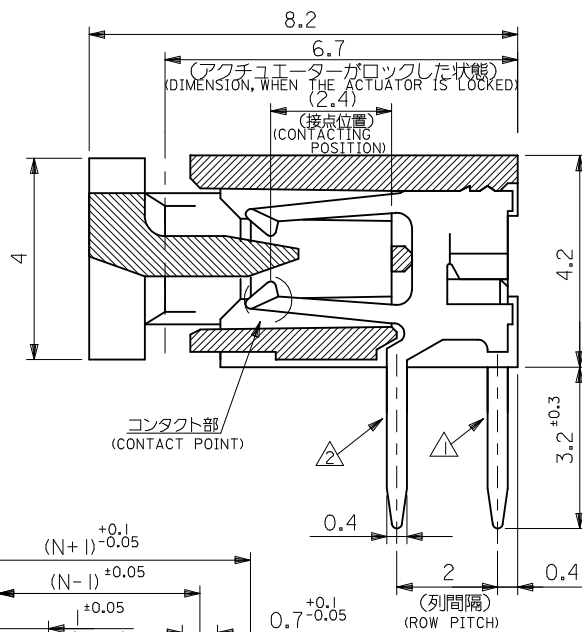
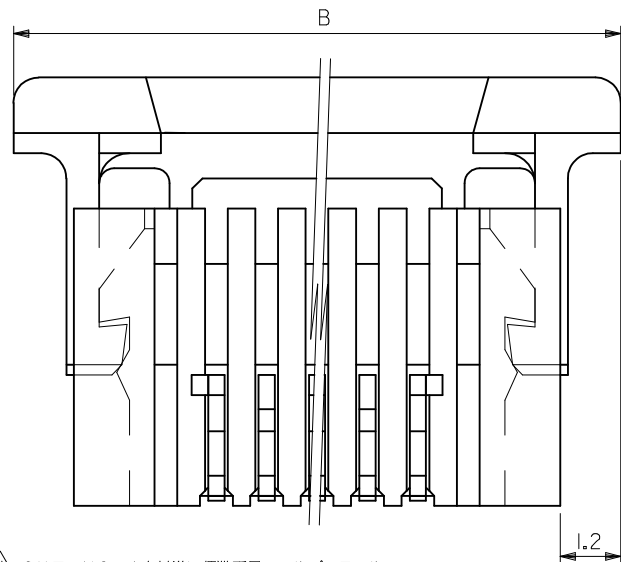
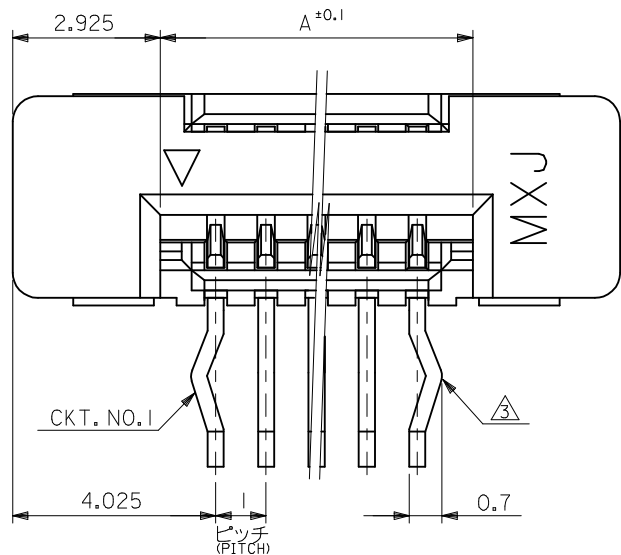
E

D

C

B

A



APPLICABLE FPC RECOMMENDED DIM.

FPCについて:
 打抜き方向は導体側から補強板を推奨致します。補強フィルム材質はポリアイミドを推奨致します。
 接着剤は熱硬化接着剤を推奨致します。
 ABOUT FPC:
 RECOMMENDED PUNCHER DIRECTION : FROM CONDUCTOR SIDE TO STIFFENER BOARD SIDE.
 RECOMMENDED MATERIAL :
 STIFFENER FILM : POLYIMIDE
 BONDING AGENT :
 THERMOSETTING BONDING AGENT

注記:
NOTES:

- ① CKT. NO. 1を基準に偶数番目のソルダータール。
EVEN NUMBER SOLDER TAIL.
 - ② CKT. NO. 1を基準に奇数番目のソルダータール。
ODD NUMBER SOLDER TAIL.
 - ③ ソルダータールキックは、△のソルダータールの両端部に設ける。
KINK TO BE APPLIED FOR THE BOTH END OF ODD NUMBER SOLDER TAIL
4. 材 料: ターミナル:リン青銅、ニッケル下地 銅ビスマスマメッキ (t=0.32)
 MATERIAL: TERMINAL:PHOSPHOR BRONZE, TIN-BISMUTH OVER NICKEL PLATING (t=0.32)
 ハウジング: 66ナイロン, UL94V-0
 HOUSING: 66NYLON,UL94V-0
 アクチュエーター: ポリエステル, UL94V-0
 ACTUATOR: POLYESTER,UL94V-0
5. 本製品は 52043-**10 の鉛フリー品である。
 THIS PRODUCT IS LEAD FREE OF 52043-**10.

11.05	5.2	52043-0419	4
B	A	MATERIAL NO.	極数 CKT.

MODEL NO. 52043-**19

DESIGN UNITS METRIC THIRD ANGLE PROJECTION

1.0 FPC CONN. Z.I.F R/A

-LEAD FREE-

molex

SEE TABLE

SD-52043-002

SHEET NO.

1 OF 1

THIS DRAWING CONTAINS INFORMATION THAT IS PROPRIETARY TO MOLEX ELECTRONIC TECHNOLOGIES, LLC AND SHOULD NOT BE USED WITHOUT WRITTEN PERMISSION