



Chipsmall Limited consists of a professional team with an average of over 10 year of expertise in the distribution of electronic components. Based in Hongkong, we have already established firm and mutual-benefit business relationships with customers from,Europe,America and south Asia,supplying obsolete and hard-to-find components to meet their specific needs.

With the principle of “Quality Parts,Customers Priority,Honest Operation,and Considerate Service”,our business mainly focus on the distribution of electronic components. Line cards we deal with include Microchip,ALPS,ROHM,Xilinx,Pulse,ON,Everlight and Freescale. Main products comprise IC,Modules,Potentiometer,IC Socket,Relay,Connector.Our parts cover such applications as commercial,industrial, and automotives areas.

We are looking forward to setting up business relationship with you and hope to provide you with the best service and solution. Let us make a better world for our industry!



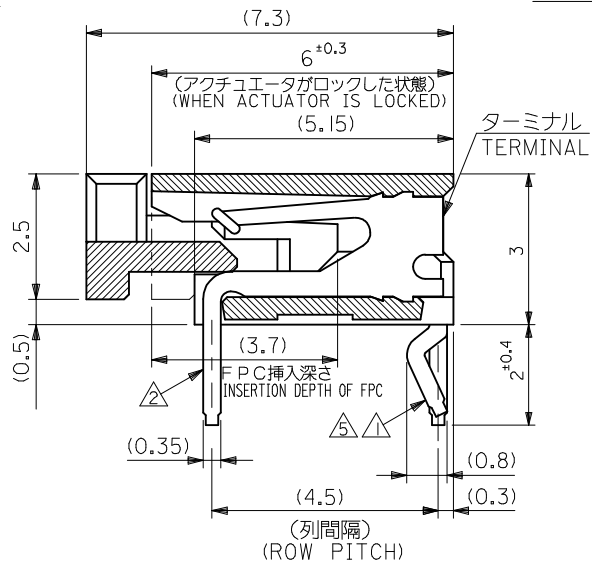
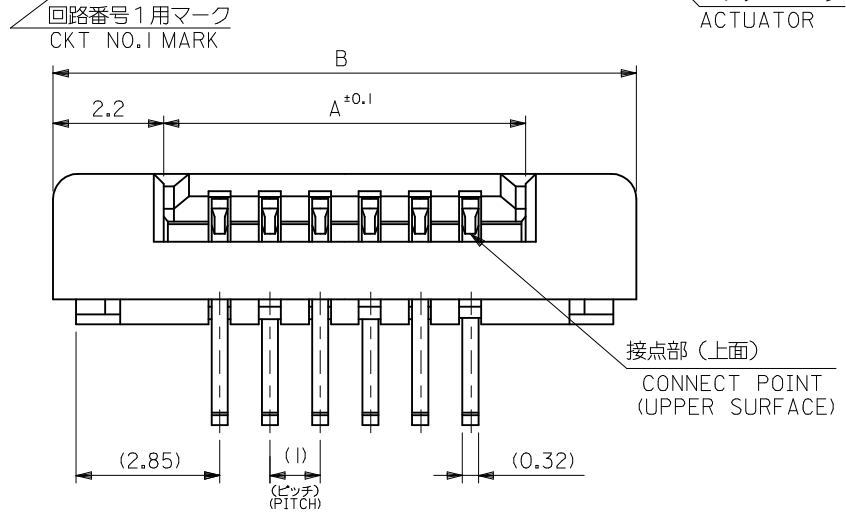
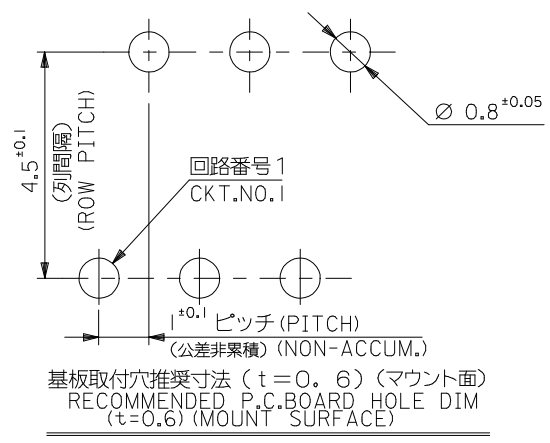
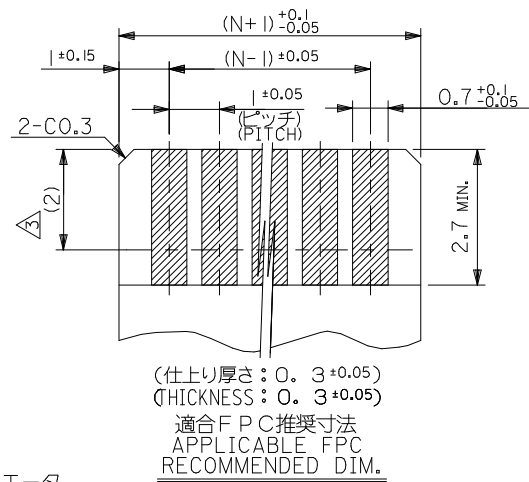
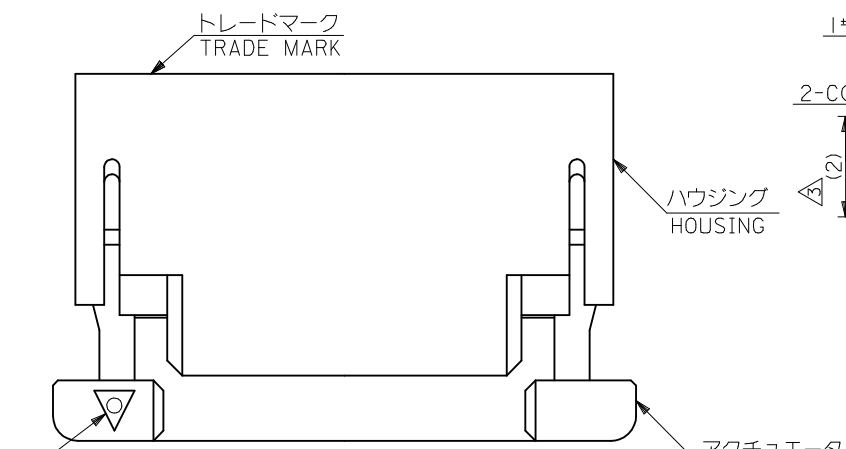
Contact us

Tel: +86-755-8981 8866 Fax: +86-755-8427 6832

Email & Skype: info@chipsmall.com Web: www.chipsmall.com

Address: A1208, Overseas Decoration Building, #122 Zhenhua RD., Futian, Shenzhen, China





21.6	17.2	52089-1619	16
20.6	16.2	52089-1519	15
15.6	11.2	52089-1019	10
13.6	9.2	52089-0819	8
12.6	8.2	52089-0719	7
10.6	6.2	52089-0519	5
B	A	MATERIAL NO.	極数 CKT.

- 注記 NOTES**
- △ CKT. NO. 1を基準に偶数番目のソルダーテール。
EVEN NUMBER SOLDER TAIL
 - △ CKT. NO. 1を基準に奇数番目のソルダーテール。
ODD NUMBER SOLDER TAIL
 - △ 接点部までの嵌合長さ。
LENGTH TO CONTACT POINT.
 - 4. 使用材料 MATERIAL
ハウジング : 66ナイロン, UL94V-0
HOUSING : 66NYLON, UL94V-0
アクチュエータ : ポリエステル, UL94V-0
ACTUATOR : POLYESTER, UL94V-0
ターミナル : リン青銅, ニッケル下地 錫・ピスマスメッキ
TERMINAL : PHOS-BRO. TIN-BISMUTM OVER NICKEL-PLATED
 - △ キングはソルダーテール△の両端のみに適用。
KINK APPLIES BOTH SIDE △ TERMINALS ONLY
 - 6. 本製品は 52089-** * 1.0 の鉛フリー品である。
THIS PRODUCT IS LEAD FREE OF 52089-** * 1.0.

REVISED EC NO: J2017-0269 IDR/NIGES CHKD: APPR: MSASAO	DESCRIPTION 2016/11/17 2016/12/26	GENERAL TOLERANCES (UNLESS SPECIFIED)	DIMENSION STYLE MM ONLY	SCALE 10:1	DESIGN UNITS METRIC	THIRD ANGLE PROJECTION												
		<table border="1"> <tr> <td>0.25 UNDER</td> <td>±</td> </tr> <tr> <td>0.25 OVER</td> <td>±</td> </tr> <tr> <td>0.5 OVER</td> <td>±</td> </tr> <tr> <td>1.0 OVER</td> <td>±0.2</td> </tr> <tr> <td>3.0 OVER</td> <td>±0.25</td> </tr> <tr> <td>30 OVER</td> <td>±0.3</td> </tr> <tr> <td>ANGULAR</td> <td>±3 °</td> </tr> </table>	0.25 UNDER	±	0.25 OVER	±	0.5 OVER	±	1.0 OVER	±0.2	3.0 OVER	±0.25	30 OVER	±0.3	ANGULAR	±3 °	DRAWN BY J. SASAMO DATE 2004/7/22 CHECKED BY K. TOJO DATE 2004/7/22 APPROVED BY N. UKITA DATE 2004/7/22 MATERIAL NO. SEE CHART	TITLE 1.0 FPC CONN ZIF R/A -LEAD FREE- molex
0.25 UNDER	±																	
0.25 OVER	±																	
0.5 OVER	±																	
1.0 OVER	±0.2																	
3.0 OVER	±0.25																	
30 OVER	±0.3																	
ANGULAR	±3 °																	
DRAFT WHERE APPLICABLE MUST REMAIN WITHIN DIMENSIONS		THIS DRAWING CONTAINS INFORMATION THAT IS PROPRIETARY TO MOLEX ELECTRONIC TECHNOLOGIES, LLC AND SHOULD NOT BE USED WITHOUT WRITTEN PERMISSION																