



Chipsmall Limited consists of a professional team with an average of over 10 year of expertise in the distribution of electronic components. Based in Hongkong, we have already established firm and mutual-benefit business relationships with customers from,Europe,America and south Asia,supplying obsolete and hard-to-find components to meet their specific needs.

With the principle of “Quality Parts,Customers Priority,Honest Operation,and Considerate Service”,our business mainly focus on the distribution of electronic components. Line cards we deal with include Microchip,ALPS,ROHM,Xilinx,Pulse,ON,Everlight and Freescale. Main products comprise IC,Modules,Potentiometer,IC Socket,Relay,Connector.Our parts cover such applications as commercial,industrial, and automotives areas.

We are looking forward to setting up business relationship with you and hope to provide you with the best service and solution. Let us make a better world for our industry!



Contact us

Tel: +86-755-8981 8866 Fax: +86-755-8427 6832

Email & Skype: info@chipsmall.com Web: www.chipsmall.com

Address: A1208, Overseas Decoration Building, #122 Zhenhua RD., Futian, Shenzhen, China



10 9 8 7 6 5 4 3 2 1

F

E

D

C

B

A

F

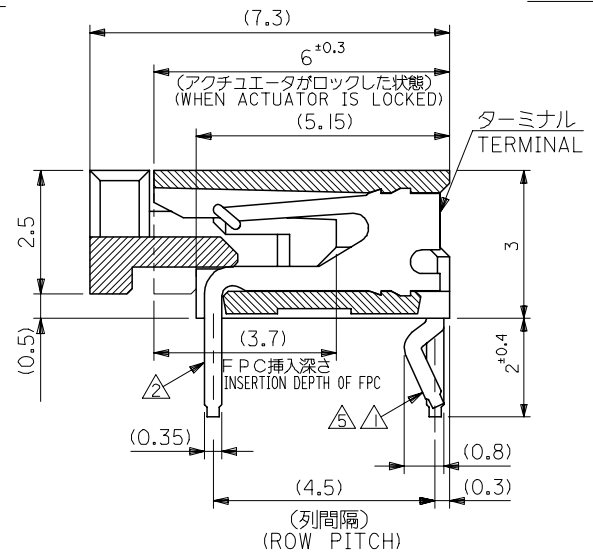
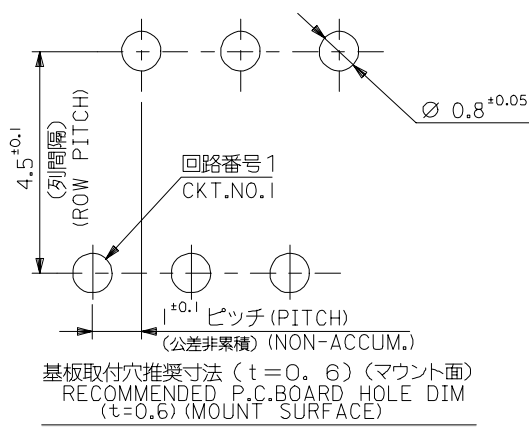
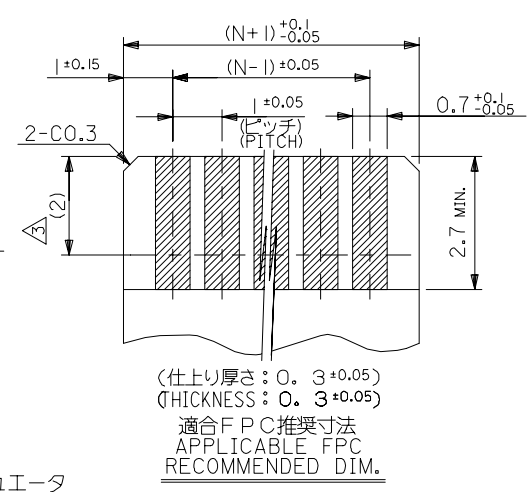
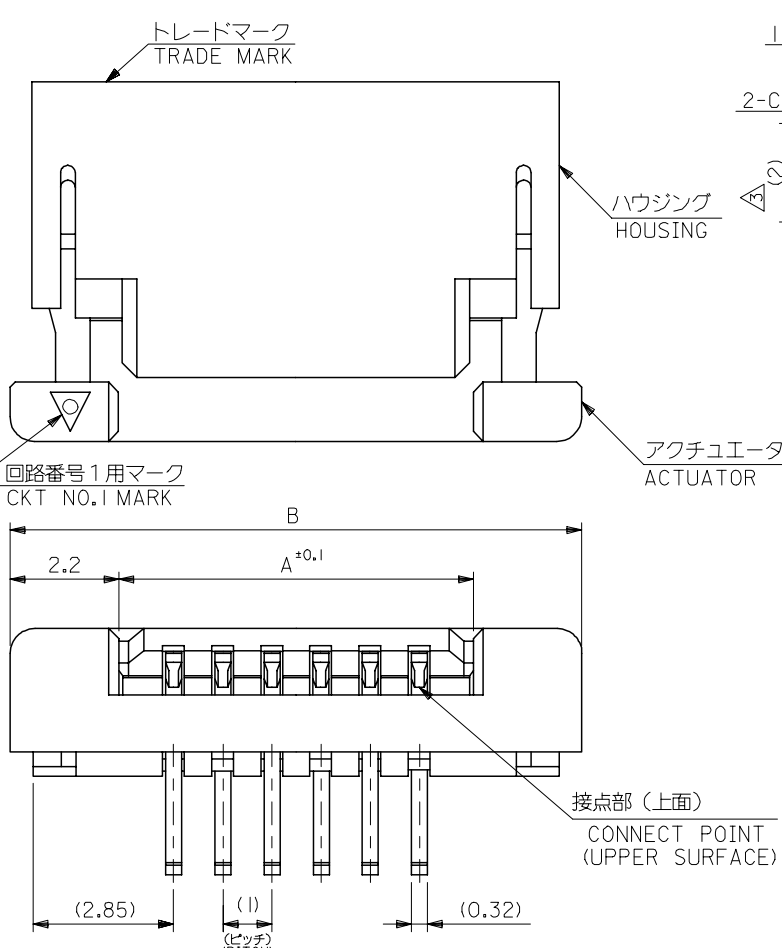
E

D

C

B

A



35.6	31.2	52089-3019	30
34.6	30.2	-2919	29
33.6	29.2	-2819	28
32.6	28.2	-2719	27
31.6	27.2	-2619	26
30.6	26.2	-2519	25
29.6	25.2	-2419	24
28.6	24.2	-2319	23
27.6	23.2	-2219	22
26.6	22.2	-2119	21
25.6	21.2	-2019	20
24.6	20.2	-1919	19
23.6	19.2	-1819	18
22.6	18.2	-1719	17
21.6	17.2	-1619	16
20.6	16.2	-1519	15
19.6	15.2	-1419	14
18.6	14.2	-1319	13
17.6	13.2	-1219	12
16.6	12.2	-1119	11
15.6	11.2	-1019	10
14.6	10.2	-0919	9
13.6	9.2	-0819	8
12.6	8.2	-0719	7
11.6	7.2	-0619	6
10.6	6.2	-0519	5
9.6	5.2	52089-0419	4
B	A	MATERIAL NO.	極数 CKT.

- 注記 NOTES
- △ CKT. NO. 1 を基準に偶数番目のソルダーテール。
EVEN NUMBER SOLDER TAIL
 - △ CKT. NO. 1 を基準に奇数番目のソルダーテール。
ODD NUMBER SOLDER TAIL
 - △ 接点部までの嵌合長さ。
LENGTH TO CONTACT POINT.
 - 4. 使用材料 MATERIAL
ハウジング : 66ナイロン, UL94V-0
HOUSING : 66NYLON, UL94V-0
アクチュエータ : ポリエステル, UL94V-0
ACTUATOR : POLYESTER, UL94V-0
ターミナル : リン青銅, ニッケル下地 錫・ヒスマスメッキ
TERMINAL : PHOS-BRO. TIN-BISMUTM OVER NICKEL-PLATED
 - △ キンクはソルダーテール△の両端のみに適用。
KINK APPLIES BOTH SIDE △ TERMINALS ONLY
 - 6. 本製品は 52089-**10 の鉛フリー品である。
THIS PRODUCT IS LEAD FREE OF 52089-**10.

REVISED EC NO: J2005-0258 DRWN: SASAMOR CHKD: TOJO APPR: NUKITA	GENERAL TOLERANCES (UNLESS SPECIFIED)		DIMENSION STYLE MM ONLY		SCALE 10:1	DESIGN UNITS METRIC	THIRD ANGLE PROJECTION
	10 UNDER	±0.2	DRAWN BY J. SASAMO	DATE 2004/7/22	TITLE 1.0 FPC CONN ZIF R/A		
	10 OVER 30 UNDER	±0.25	CHECKED BY K. TOJO	DATE 2004/7/22	-LEAD FREE-		
	30 OVER	±0.3	APPROVED BY N. UKITA	DATE 2004/7/22	MOLEX INCORPORATED		
ANGULAR ±3 °		DRAFT WHERE APPLICABLE MUST REMAIN WITHIN DIMENSIONS		MATERIAL NO. 52089-**19	DOCUMENT NO. SD-52089-001	SHEET NO. 1 OF 1	
SIZE A3 THIS DRAWING CONTAINS INFORMATION THAT IS PROPRIETARY TO MOLEX INCORPORATED AND SHOULD NOT BE USED WITHOUT WRITTEN PERMISSION							