



Chipsmall Limited consists of a professional team with an average of over 10 year of expertise in the distribution of electronic components. Based in Hongkong, we have already established firm and mutual-benefit business relationships with customers from,Europe,America and south Asia,supplying obsolete and hard-to-find components to meet their specific needs.

With the principle of “Quality Parts,Customers Priority,Honest Operation,and Considerate Service”,our business mainly focus on the distribution of electronic components. Line cards we deal with include Microchip,ALPS,ROHM,Xilinx,Pulse,ON,Everlight and Freescale. Main products comprise IC,Modules,Potentiometer,IC Socket,Relay,Connector.Our parts cover such applications as commercial,industrial, and automotives areas.

We are looking forward to setting up business relationship with you and hope to provide you with the best service and solution. Let us make a better world for our industry!



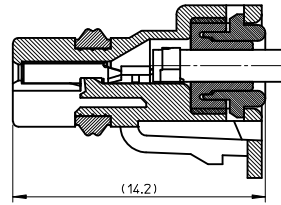
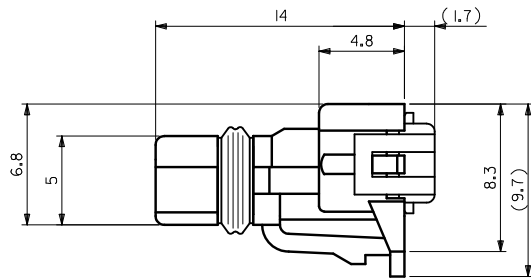
## Contact us

Tel: +86-755-8981 8866 Fax: +86-755-8427 6832

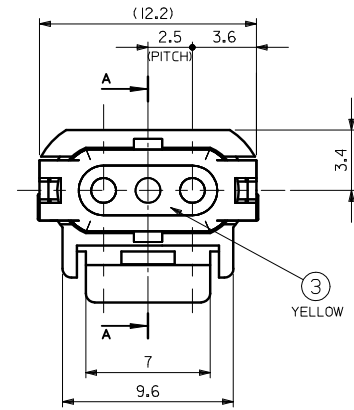
Email & Skype: info@chipsmall.com Web: www.chipsmall.com

Address: A1208, Overseas Decoration Building, #122 Zhenhua RD., Futian, Shenzhen, China



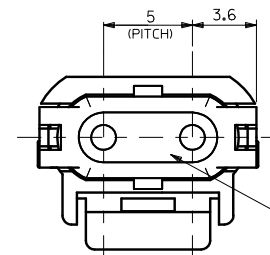


端子装着時の断面 A-A  
SECTION A-A TERMINAL ASSEMBLY DRAWING



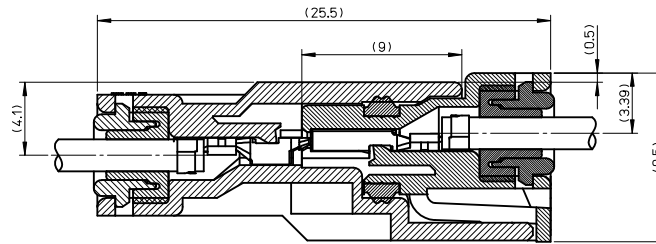
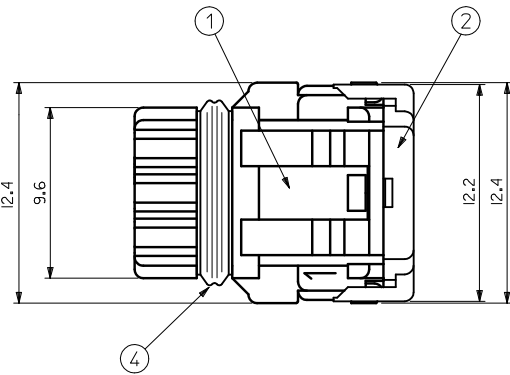
52117-034\*

③  
YELLOW



52117-024\*

③  
52117-0240-0242 : RED  
52117-0243 : BLACK



嵌合状態図  
FULLY MATED CONDITION

注記  
NOTE

- 適合端子 : 50039-8\*00  
APPLICABLE TERMINAL : 50039-8\*00
- 嵌合相手 : 52116-0\*4\*  
MATES WITH : 52116-0\*4\*
- 製品仕様書 : PS-52117-007  
PRODUCT SPECIFICATION : PS-52117-007
- 取扱説明書 : AS-52117-001  
APPLICATION SPECIFICATION : AS-52117-001
- ELV及びRoHS適合品  
ELV AND RoHS COMPLIANT

赤 RED	52117-0342	3
黒 BLACK	52117-0341	3
白 WHITE	52117-0340	3
白 WHITE	52117-0243	2
赤 RED	52117-0242	2
黒 BLACK	52117-0241	2
白 WHITE	52117-0240	2
色 COLOR	MATERIAL NO.	極数 CKT

シリコンゴム SILICONE	黄 YELLOW	RING SEAL	④
シリコンゴム SILICONE	図参照 SEE DRAWING	ワイヤエンドシール WIRE END SEAL	③
ポリエステル (15%G.F.) POLYESTER (15%G.F.)	表参照 SEE CHART	キャップ CAP	②
ポリエステル (15%G.F.) POLYESTER (15%G.F.)	表参照 SEE CHART	受容器 REC. HOUSING	①
材料 MATERIAL	色 COLOR	名称 TITLE	

構成部品  
COMPONENTS

REVISED & REDRAWN EC NO: JTR2012-0029 DRAWN: INAKA 2011/11/30 CHKD: SANDO 2011/12/14 APPR: MAYAMOTO 2012/01/18	GENERAL TOLERANCES (UNLESS SPECIFIED)	DIMENSION STYLE MM ONLY	SCALE 5:1	DESIGN UNITS METRIC	2.5 WATERPROOF CONN. REC. HSG ASSY W/POSITIVE LOCK <b>MOLEX</b> MOLEX INCORPORATED SD-52117-001 SHEET NO. 1 OF 1
	10 UNDER ±0.2	DRAWN BY Y. ASHIZAWA	DATE 1988/7/8	TITLE	
	10 OVER 30 UNDER ±0.25	CHECKED BY M. SAKANO	DATE 1988/7/8		
	30 OVER ±0.3	APPROVED BY MAYAMOTO	DATE 2012/01/18		
ANGULAR ±3 °	DRAFT WHERE APPLICABLE MUST REMAIN WITHIN DIMENSIONS	MATERIAL NO.	DOCUMENT NO.		
		SIZE A2	THIS DRAWING CONTAINS INFORMATION THAT IS PROPRIETARY TO MOLEX INCORPORATED AND SHOULD NOT BE USED WITHOUT WRITTEN PERMISSION		