



Chipsmall Limited consists of a professional team with an average of over 10 year of expertise in the distribution of electronic components. Based in Hongkong, we have already established firm and mutual-benefit business relationships with customers from,Europe,America and south Asia,supplying obsolete and hard-to-find components to meet their specific needs.

With the principle of “Quality Parts,Customers Priority,Honest Operation,and Considerate Service”,our business mainly focus on the distribution of electronic components. Line cards we deal with include Microchip,ALPS,ROHM,Xilinx,Pulse,ON,Everlight and Freescale. Main products comprise IC,Modules,Potentiometer,IC Socket,Relay,Connector.Our parts cover such applications as commercial,industrial, and automotives areas.

We are looking forward to setting up business relationship with you and hope to provide you with the best service and solution. Let us make a better world for our industry!



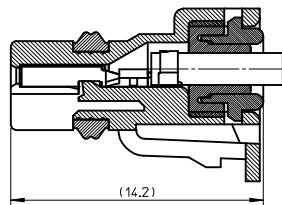
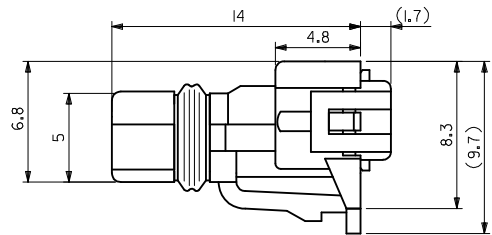
Contact us

Tel: +86-755-8981 8866 Fax: +86-755-8427 6832

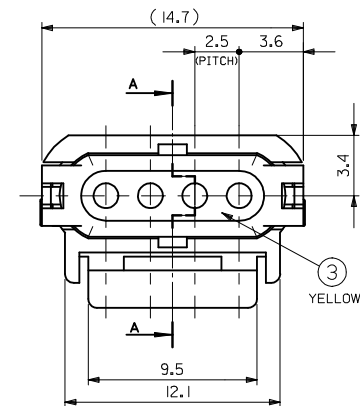
Email & Skype: info@chipsmall.com Web: www.chipsmall.com

Address: A1208, Overseas Decoration Building, #122 Zhenhua RD., Futian, Shenzhen, China

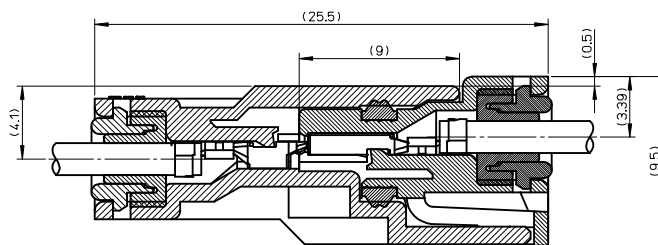
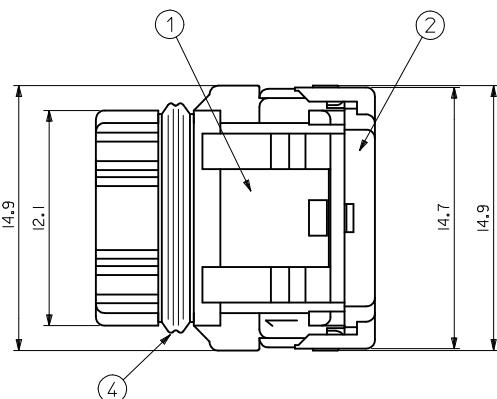




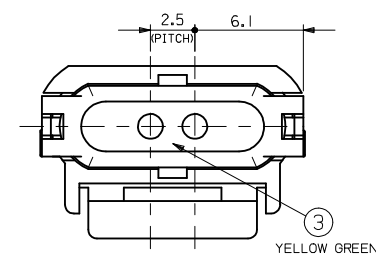
端子装着時の断面 A-A
SECTION A-A TERMINAL ASSEMBLY DRAWING



52117-0410, 52117-0411



嵌合状態図
FULLY MATED CONDITION



52117-0413

注記
NOTE

- 適合端子: 50039-8*00
APPLICABLE TERMINAL: 50039-8*00
- 嵌合相手: 52116-041*
MATES WITH: 52116-041*
- 製品仕様書: PS-52117-008
PRODUCT SPECIFICATION: PS-52117-008
- 取扱説明書: AS-52117-001
APPLICATION SPECIFICATION: AS-52117-001
- ELV及びRoHS適合品
ELV AND RoHS COMPLIANT

黒 BLACK	52117-0413	2
黒 BLACK	52117-0411	4
白 WHITE	52117-0410	4
色 COLOR	MATERIAL NO.	極数 CKT.

材料 MATERIAL	色 COLOR	名称 TITLE	
シリコンゴム SILICONE	黄 YELLOW	RING SEAL	④
シリコンゴム SILICONE	図参照 SEE DRAWING	WIRE END SEAL	③
ポリエステル POLYESTER (15%G.F.)	表参照 SEE CHART	CAP	②
ポリエステル POLYESTER (15%G.F.)	表参照 SEE CHART	REC. HOUSING	①

構成部品
COMPONENTS

GENERAL TOLERANCES
(UNLESS SPECIFIED)

10 UNDER	±0.2
10 OVER 30 UNDER	±0.25
30 OVER	±0.3
ANGULAR	±3 °

DRAFT WHERE APPLICABLE
MUST REMAIN
WITHIN DIMENSIONS

REVISED	DESCRIPTION
EC NO: JTR2016-0103	
DRWN:YFUSHIMI 2016/04/26	
CHKD:TAITO 2016/04/26	
APPR:KAYAMAMOTO 2016/04/27	
E1	

DIMENSION STYLE MM ONLY		SCALE 5:1	DESIGN UNITS METRIC	THIRD ANGLE PROJECTION
DRAWN BY Y. ASHIZAWA	DATE 1988/07/12	TITLE 2.5 WATERPROOF CONN. REC. HSG ASSY W/POSITIVE LOCK		
CHECKED BY M. SAKANO	DATE 1994/04/12			
APPROVED BY M. ENOMOTO	DATE 1994/04/12			
MATERIAL NO.	DOCUMENT NO.	SD-52117-002	SHEET NO. 1 OF 1	
SIZE A2 THIS DRAWING CONTAINS INFORMATION THAT IS PROPRIETARY TO MOLEX INCORPORATED AND SHOULD NOT BE USED WITHOUT WRITTEN PERMISSION				