



Chipsmall Limited consists of a professional team with an average of over 10 year of expertise in the distribution of electronic components. Based in Hongkong, we have already established firm and mutual-benefit business relationships with customers from,Europe,America and south Asia,supplying obsolete and hard-to-find components to meet their specific needs.

With the principle of “Quality Parts,Customers Priority,Honest Operation,and Considerate Service”,our business mainly focus on the distribution of electronic components. Line cards we deal with include Microchip,ALPS,ROHM,Xilinx,Pulse,ON,Everlight and Freescale. Main products comprise IC,Modules,Potentiometer,IC Socket,Relay,Connector.Our parts cover such applications as commercial,industrial, and automotives areas.

We are looking forward to setting up business relationship with you and hope to provide you with the best service and solution. Let us make a better world for our industry!



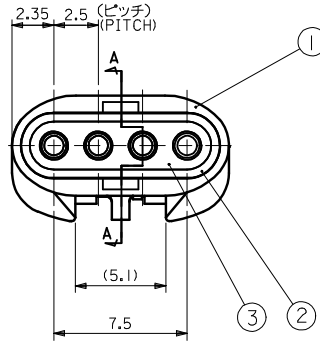
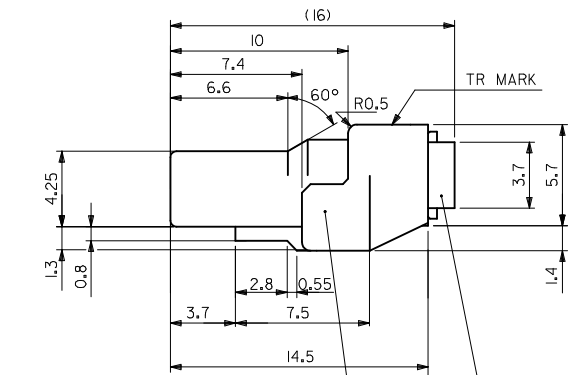
Contact us

Tel: +86-755-8981 8866 Fax: +86-755-8427 6832

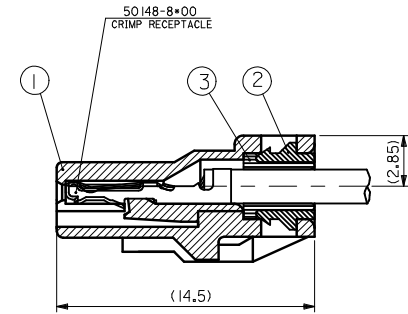
Email & Skype: info@chipsmall.com Web: www.chipsmall.com

Address: A1208, Overseas Decoration Building, #122 Zhenhua RD., Futian, Shenzhen, China

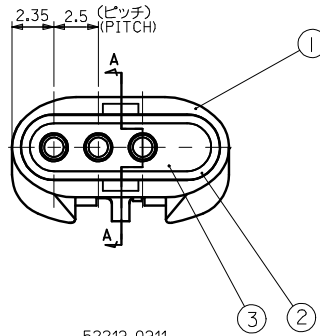
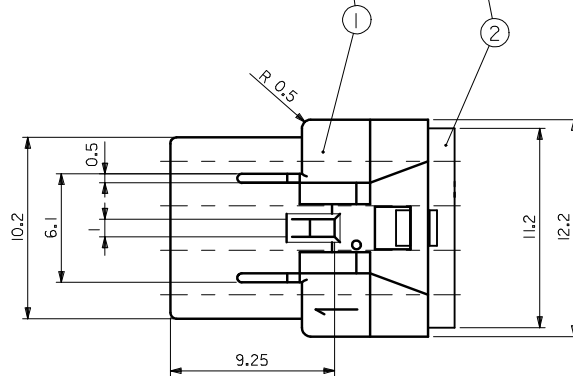




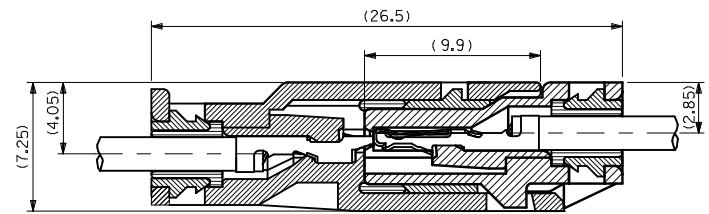
52213-041*



端子装着時の断面 A-A
SECT.A-A TERM.ASSEMBLY DRAWING



52213-0311



嵌合状態図
FULLY MATED CONDITION

注記
NOTE

- 適合端子: 50148-8*00
APPLICABLE TERMINAL: 50148-8*00
- 嵌合相手: 52266-xx1*
MATES WITH: 52266-xx1*
- 製品仕様書: PS-52213-003
PRODUCT SPECIFICATION: PS-52213-003
- 取扱説明書: AS-52213-001
APPLICATION SPECIFICATION: AS-52213-001

茶 BROWN	52213-0417	4
青 BLUE	52213-0414	4
黒 BLACK	52213-0411	4
白 WHITE	52213-0410	4
黒 BLACK	52213-0311	3

シリコンゴム SILICONE	青 BLUE	ワイヤエンドシール WIRE END SEAL	③
ポリエステル (15%G.F.) POLYESTER (15%G.F.)	灰 GRAY	CAP	②
ポリエステル (15%G.F.) POLYESTER (15%G.F.)	表参照 SEE CHART	レセプタクルハウジング RECEPTACLE HOUSING	①
材料 MATERIAL	色 COLOR	名称 TITLE	
構成部品 COMPONENTS			

REVISED EC NO: JTR2017-0006 DRAWN: Y.FUSHIMI 2016/08/04 CHKD: TAITO 2016/08/04 APPR: MAYAMOTO 2016/08/16 A1 REV	QUALITY SYMBOLS	GENERAL TOLERANCES (UNLESS SPECIFIED)	DIMENSION STYLE MM ONLY	SCALE 5:1	DESIGN UNITS METRIC	THIRD ANGLE PROJECTION
	▽=0	10 UNDER ±0.2	DRAWN BY S. KATAOKA	DATE 2006/09/11	TITLE 2.5 MINI WATERPROOF CONN REC HSG ASSY (3 AND 4 CKT.)	
	▽=0	10 OVER 30 UNDER ±0.25	CHECKED BY K. TOYODA	DATE 2006/09/11	molex	
	▽=0	30 OVER ±0.3	APPROVED BY N. UKITA	DATE 2006/09/11		
ANGULAR ±3 °		DRAFT WHERE APPLICABLE MUST REMAIN WITHIN DIMENSIONS	MATERIAL NO. SEE CHART	DOCUMENT NO. SD-52213-001	SHEET NO. 1 OF 1	
SIZE A2 THIS DRAWING CONTAINS INFORMATION THAT IS PROPRIETARY TO MOLEX INCORPORATED AND SHOULD NOT BE USED WITHOUT WRITTEN PERMISSION						