



Chipsmall Limited consists of a professional team with an average of over 10 year of expertise in the distribution of electronic components. Based in Hongkong, we have already established firm and mutual-benefit business relationships with customers from,Europe,America and south Asia,supplying obsolete and hard-to-find components to meet their specific needs.

With the principle of “Quality Parts,Customers Priority,Honest Operation,and Considerate Service”,our business mainly focus on the distribution of electronic components. Line cards we deal with include Microchip,ALPS,ROHM,Xilinx,Pulse,ON,Everlight and Freescale. Main products comprise IC,Modules,Potentiometer,IC Socket,Relay,Connector.Our parts cover such applications as commercial,industrial, and automotives areas.

We are looking forward to setting up business relationship with you and hope to provide you with the best service and solution. Let us make a better world for our industry!



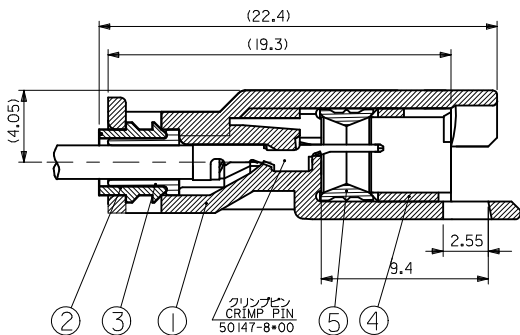
Contact us

Tel: +86-755-8981 8866 Fax: +86-755-8427 6832

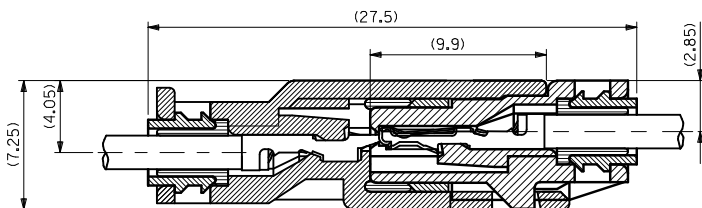
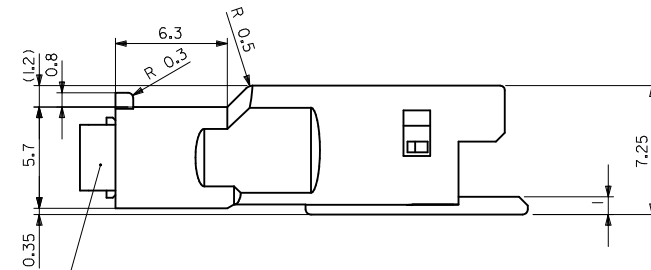
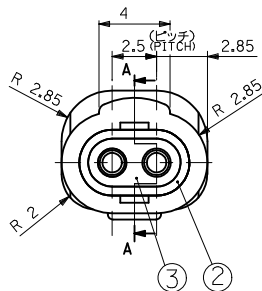
Email & Skype: info@chipsmall.com Web: www.chipsmall.com

Address: A1208, Overseas Decoration Building, #122 Zhenhua RD., Futian, Shenzhen, China

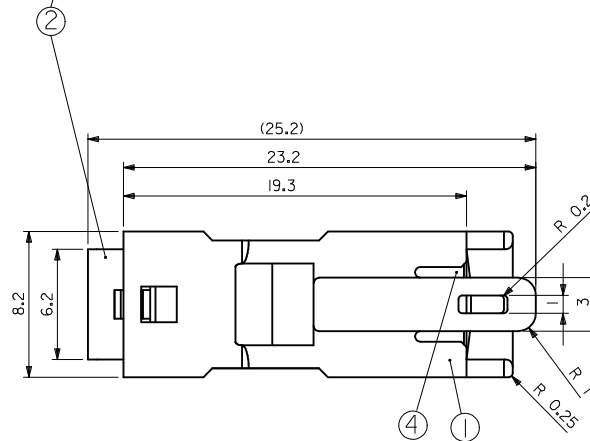




断面A-A(端子装着状態図)
SECT.A-A(TERM.ASSEMBLY DRAWING)



嵌合状態図
FULLY MATED CONDITION



注記
NOTE

- 適合端子 : 50147-8*00
APPLICABLE TERMINAL : 50147-8*00
- 嵌合相手 : 52213-021*
MATES WITH : 52213-021*
- 製品仕様書 : PS-52213-003
PRODUCT SPECIFICATION : PS-52213-003
- 取扱説明書 : AS-52213-001
APPLICATION SPECIFICATION : AS-52213-001

材料 MATERIAL	色 COLOR	名称 TITLE	⑤
シリコンム SILICONE	黄 YELLOW	SEAL	⑤
ポリエステル (15%G.F.) POLYESTER (15%G.F.)	黒 BLACK	SEAL STOPPER	④
シリコンム SILICONE	黄 YELLOW	WIRE END SEAL	③
ポリエステル (15%G.F.) POLYESTER (15%G.F.)	黒 BLACK	CAP	②
ポリエステル (15%G.F.) POLYESTER (15%G.F.)	表参照 SEE CHART	PLUG HOUSING	①

構成部品
COMPONENTS

REVISED EC NO: JTR2012-0084 2012/02/29 DRAWN:SANDO 2012/03/02 CHKD:SANDO APPR:MIYAMOTO 2012/03/16	DESCRIPTION F1	GENERAL TOLERANCES (UNLESS SPECIFIED)	DIMENSION STYLE MM ONLY	SCALE 5:1	DESIGN UNITS METRIC	THIRD ANGLE PROJECTION
		10 UNDER ±0.2 10 OVER 30 UNDER ±0.25 30 OVER ±0.3	DRAWN BY Y. ASHIZAWA	DATE 1990/04/29	TITLE 2.5 MINI WATERPROOF CONN PLUG HSG ASSY (2 CKT.)	
ANGULAR ±3 °		DRAFT WHERE APPLICABLE MUST REMAIN WITHIN DIMENSIONS	APPROVED BY MENOMOTO	DATE 1994/03/02	MOLEX INCORPORATED	
SEE CHART			MATERIAL NO.	DOCUMENT NO. SD-52266-003	SHEET NO. 1 OF 1	
THIS DRAWING CONTAINS INFORMATION THAT IS PROPRIETARY TO MOLEX INCORPORATED AND SHOULD NOT BE USED WITHOUT WRITTEN PERMISSION						

黒 BLACK	52266-0211	2
ハウジングの色 HSG COLOR	製品番号 MATERIAL NO.	極数 No. OF CKT.