



Chipsmall Limited consists of a professional team with an average of over 10 year of expertise in the distribution of electronic components. Based in Hongkong, we have already established firm and mutual-benefit business relationships with customers from,Europe,America and south Asia,supplying obsolete and hard-to-find components to meet their specific needs.

With the principle of “Quality Parts,Customers Priority,Honest Operation,and Considerate Service”,our business mainly focus on the distribution of electronic components. Line cards we deal with include Microchip,ALPS,ROHM,Xilinx,Pulse,ON,Everlight and Freescale. Main products comprise IC,Modules,Potentiometer,IC Socket,Relay,Connector.Our parts cover such applications as commercial,industrial, and automotives areas.

We are looking forward to setting up business relationship with you and hope to provide you with the best service and solution. Let us make a better world for our industry!



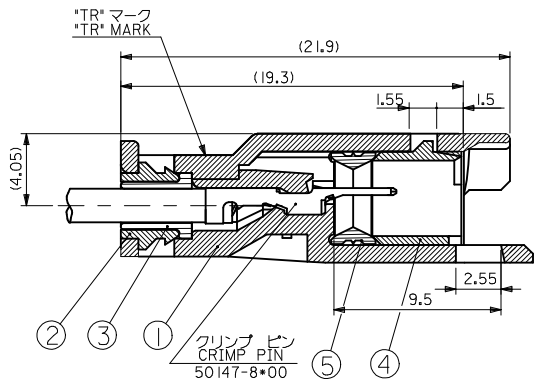
## Contact us

Tel: +86-755-8981 8866 Fax: +86-755-8427 6832

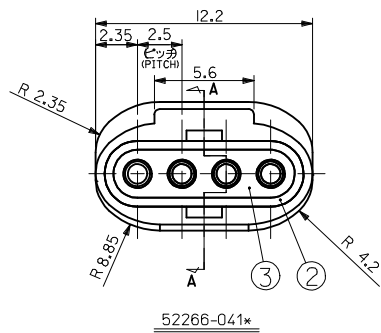
Email & Skype: info@chipsmall.com Web: www.chipsmall.com

Address: A1208, Overseas Decoration Building, #122 Zhenhua RD., Futian, Shenzhen, China

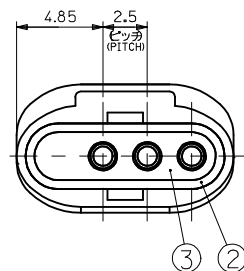




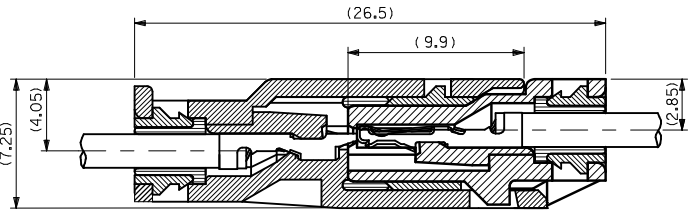
断面A-A (端子装着状態図)  
SECT. A-A (TERM. ASSEMBLY DRAWING)



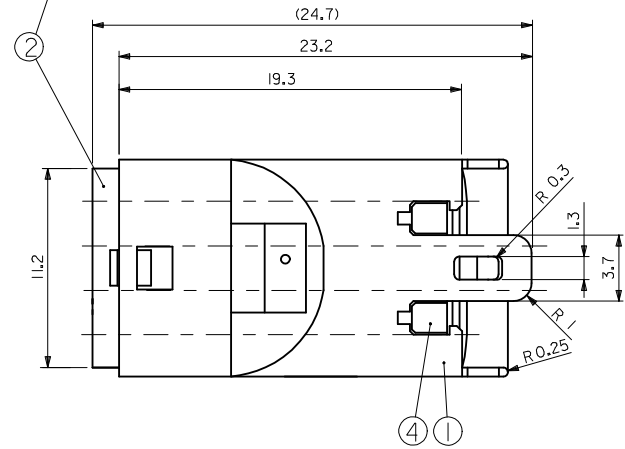
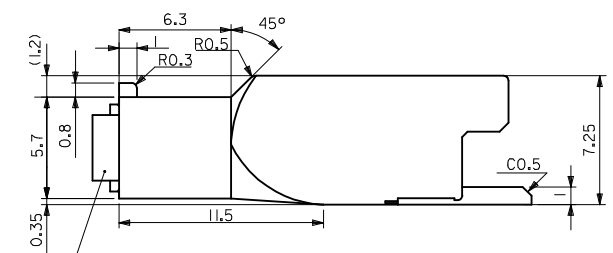
52266-041\*



52266-0311



嵌合状態図  
FULLY MATED CONDITION



注記  
NOTE

- 適合端子: 50147-8\*00  
APPLICABLE TERMINAL: 50147-8\*00
- 嵌合相手: 52213-\*x1\*  
MATES WITH: 52213-\*x1\*
- 製品仕様書: PS-52213-003  
PRODUCT SPECIFICATION: PS-52213-003
- 取扱説明書: AS-52213-001  
APPLICATION SPECIFICATION: AS-52213-001

黒 BLACK	52266-0311	3
茶 BROWN	52266-0417	4
黒 BLACK	52266-0411	4
ハウジングの色 HSG COLOR	製品番号 MATERIAL NO.	極数 No. of Ckt.

材料 MATERIAL	色 COLOR	名称 TITLE	⑤
シリコンゴム SILICONE	青 BLUE	SEAL	⑤
ポリエステル (15%G.F.) POLYESTER (15%G.F.)	灰 GRAY	SEAL STOPPER	④
シリコンゴム SILICONE	青 BLUE	WIRE END SEAL	③
ポリエステル (15%G.F.) POLYESTER (15%G.F.)	灰 GRAY	CAP	②
ポリエステル (15%G.F.) POLYESTER (15%G.F.)	表参照 SEE CHART	PLUG HOUSING	①

構成部品  
COMPONENTS

REVISED EEC NO.: JTR2017-0006 DRAWN: YFUSHIMI 2016/08/04 CHKD: TAITO 2016/08/04 APPR: MAYAMOTO 2016/08/16 B2	DESCRIPTION QUALITY SYMBOLS $\nabla=0$ $\nabla=0$ $\nabla=0$	GENERAL TOLERANCES (UNLESS SPECIFIED) 10 UNDER ±0.2 10 OVER 30 UNDER ±0.25 30 OVER ±0.3 ANGULAR ±3° DRAFT WHERE APPLICABLE MUST REMAIN WITHIN DIMENSIONS		DIMENSION STYLE MM ONLY DRAWN BY: M. SANO DATE: 1991/07/17 CHECKED BY: M. SAKANO DATE: 1993/11/09 APPROVED BY: MENOMOTO DATE: 1993/11/09		SCALE 5:1	DESIGN UNITS METRIC	THIRD ANGLE PROJECTION
		TITLE 2.5 MINI WATERPROOF CONN PLUG HSG ASSY (3 AND 4 CKT.)						
		MATERIAL NO. SD-52266-002						
		SHEET NO. 1 OF 1						

THIS DRAWING CONTAINS INFORMATION THAT IS PROPRIETARY TO MOLEX INCORPORATED AND SHOULD NOT BE USED WITHOUT WRITTEN PERMISSION