



Chipsmall Limited consists of a professional team with an average of over 10 year of expertise in the distribution of electronic components. Based in Hongkong, we have already established firm and mutual-benefit business relationships with customers from,Europe,America and south Asia,supplying obsolete and hard-to-find components to meet their specific needs.

With the principle of “Quality Parts,Customers Priority,Honest Operation,and Considerate Service”,our business mainly focus on the distribution of electronic components. Line cards we deal with include Microchip,ALPS,ROHM,Xilinx,Pulse,ON,Everlight and Freescale. Main products comprise IC,Modules,Potentiometer,IC Socket,Relay,Connector.Our parts cover such applications as commercial,industrial, and automotives areas.

We are looking forward to setting up business relationship with you and hope to provide you with the best service and solution. Let us make a better world for our industry!



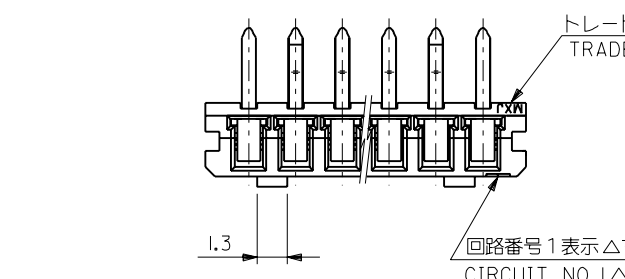
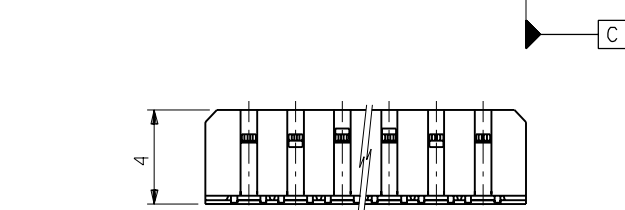
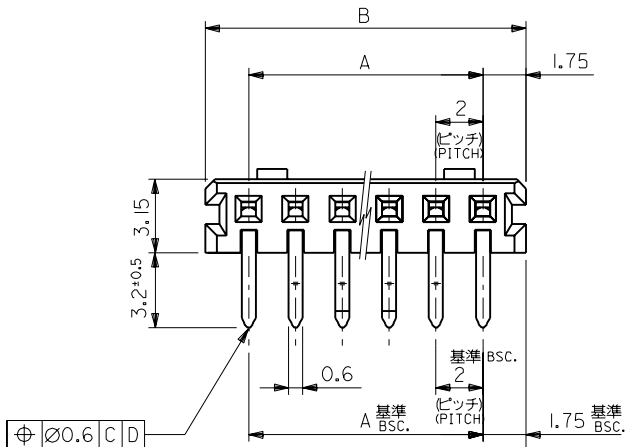
Contact us

Tel: +86-755-8981 8866 Fax: +86-755-8427 6832

Email & Skype: info@chipsmall.com Web: www.chipsmall.com

Address: A1208, Overseas Decoration Building, #122 Zhenhua RD., Futian, Shenzhen, China

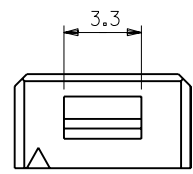
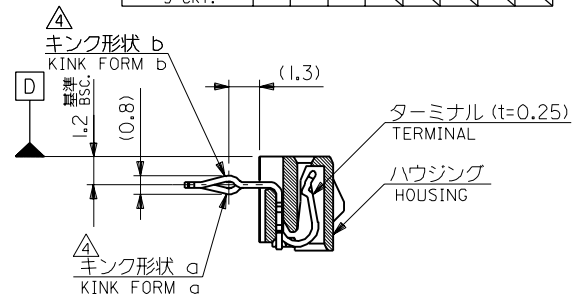




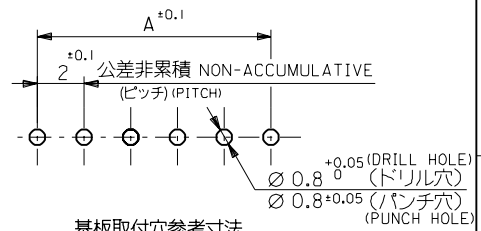
注記 NOTES

- 材料 MATERIAL
ハウジング: PBT (ガラス15%入り), UL 94V-0
HOUSING G.F. 15%
ターミナル: リン青銅, 錫メッキ
TERMINAL PHOS.BRO. PRE-TINNED
- 嵌合相手: 53290-***10, -***20
MATES WITH
- 各部のソリは0.2MAX.
CAMBER: 0.2MAX.
キックは、下記表の位置に付加。
KINK TO BE APPLIED AS FOLLOWS.
(N: 極数 CKT.)

極数 CKT.	回路番号 Ckt. No.	1	2	3	4	5	N-2	N-1	N
6極以上 MORE THAN 6 CKT.		-	a	b	-	-	b	a	-
5極 5 CKT.		a	b	-	b	a			
4極 4 CKT.		a	b	b	a				
3極 3 CKT.		a	b	a					



3極の場合
IN CASE OF
3 CIRCUIT HOUSING



基板取付穴参考寸法
RECOMMENDED P.C.B. BOARD
HOLE DIM.(REFERENCE)
(t = 1.6)

41.5	38	52418-2010	20
39.5	36	-1910	19
37.5	34	-1810	18
35.5	32	-1710	17
33.5	30	-1610	16
31.5	28	-1510	15
29.5	26	-1410	14
27.5	24	-1310	13
25.5	22	-1210	12
23.5	20	-1110	11
21.5	18	-1010	10
19.5	16	-0910	9
17.5	14	-0810	8
15.5	12	-0710	7
13.5	10	-0610	6
11.5	8	-0510	5
9.5	6	-0410	4
7.5	4	52418-0310	3
B	A	ENG. NO.	極数 CKT.

角度 ANGLE	±3°	B	変更 REVISED (J10812)	T.I.	91/9/27	材料 MATERIAL	注記参照 SEE NOTES
30以上 OVER	+0.3	A	変更 REVISED (J00866)	T.I.	90/8/21	仕上げ FINISH	— / —
10以上 30未満 OVER	+0.25	O	新規作成 RELEASED (J00558)	S.A.	90/7/12	適用電線範囲 WIRE RANGE	— / —
10未満 UNDER	+0.2	記号 LTR	変更内容 REVISION RECORD	DR. CHK.	日付 DATE	被覆外径 INS. RANGE	— / —
一般公差 GENERAL TOLERANCES		REVISE ONLY ON CAD SYSTEM				DRAWN BY '90/7/11 S.AIHARA	CHK'D BY '93/9/23 T.IITO

MOLEX JAPAN CO., LTD. 日本モレックス株式会社	
EDP NO.	REV C
ENG. NO. SD-52418-***10	TITLE 名称 2.0 BOARD TO BOARD CONN. HOUSING ASS'Y (R/A)