



Chipsmall Limited consists of a professional team with an average of over 10 year of expertise in the distribution of electronic components. Based in Hongkong, we have already established firm and mutual-benefit business relationships with customers from,Europe,America and south Asia,supplying obsolete and hard-to-find components to meet their specific needs.

With the principle of “Quality Parts,Customers Priority,Honest Operation,and Considerate Service”,our business mainly focus on the distribution of electronic components. Line cards we deal with include Microchip,ALPS,ROHM,Xilinx,Pulse,ON,Everlight and Freescale. Main products comprise IC,Modules,Potentiometer,IC Socket,Relay,Connector.Our parts cover such applications as commercial,industrial, and automotives areas.

We are looking forward to setting up business relationship with you and hope to provide you with the best service and solution. Let us make a better world for our industry!



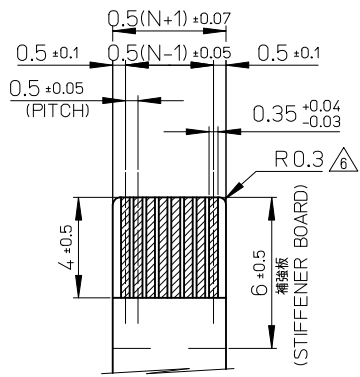
Contact us

Tel: +86-755-8981 8866 Fax: +86-755-8427 6832

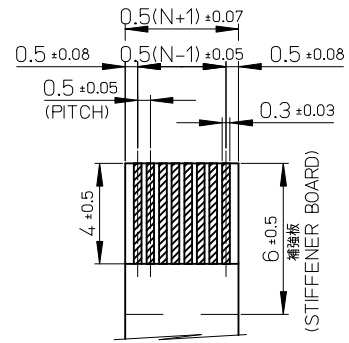
Email & Skype: info@chipsmall.com Web: www.chipsmall.com

Address: A1208, Overseas Decoration Building, #122 Zhenhua RD., Futian, Shenzhen, China





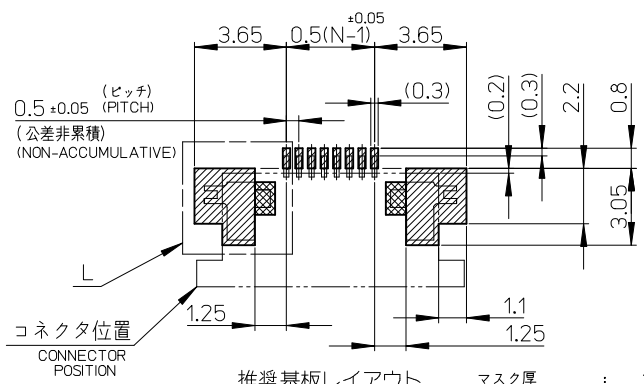
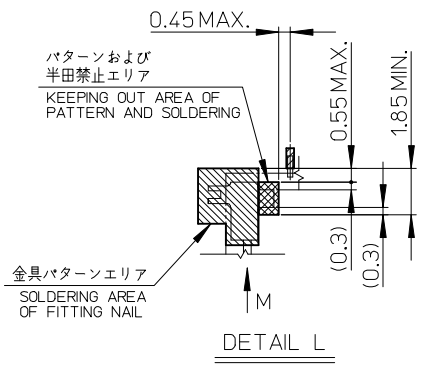
適合FPC推奨寸法
 APPLICABLE FPC
 PLATING RECOMMENDED DIMENSION
 仕上がり厚さ: 0.3±0.05
 THICKNESS: 0.3+0.05/-0.05



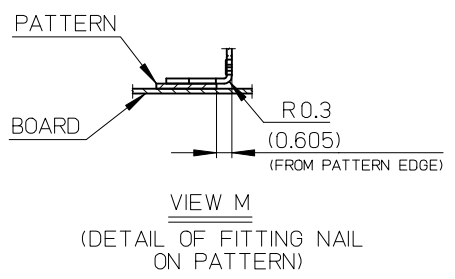
適合FFC推奨寸法
 APPLICABLE FFC
 PLATING RECOMMENDED DIMENSION
 仕上がり厚さ: 0.3±0.05
 THICKNESS: 0.3+0.05/-0.05

FPC/FFCについて ABOUT FPC/FFC
 打ち抜き方向は導体側から補強板側を推奨します。
 導体部については軟銅箔35μmまたは50μmを推奨します。
 RECOMMENDED PUNCHING DIRECTION: FROM CONDUCTOR
 SIDE TO STIFFENER SIDE
 RECOMMENDED CONDUCTOR SPEC: SOFT COPPER FOIL
 RECOMMENDED CONDUCTOR THICKNESS: 35 MICROMETER
 OR 50 MICROMETER

FPCについてABOUT FPC
 補強フィルム材質はポリイミドを推奨します。ベースフィルムは25μmを推奨します。
 接着剤は熱硬化接着剤を推奨します。
 尚、接着剤の接点部への付着は導通不良の原因になりますので、染み出しが無い様、お願い致します。
 RECOMMENDED STIFFENER MATERIAL: POLYIMIDE
 RECOMMENDED BASE FILM THICKNESS: 25 MICROMETER
 RECOMMENDED ADHESIVE: THERMOSETTING ADHESIVE
 NOTE: PLEASE PUT APPROPRIATE AMOUNT OF ADHESIVE
 ON ADHEREND BECAUSE THERE IS A
 POSSIBILITY THAT THE EXTRA ADHESIVE CAUSES THE
 DEFECT IN ELECTRICAL CONTINUITY.



推奨基板レイアウト (マウント面)
 RECOMMENDED P.C.BOARD
 PATTERN DIMENSION (MOUNTING SIDE)
 マスク厚 : 100μm
 マスク開口率 : 100%
 SCREEN THICKNESS : 100μm
 SCREEN OPEN RATIO : 100%



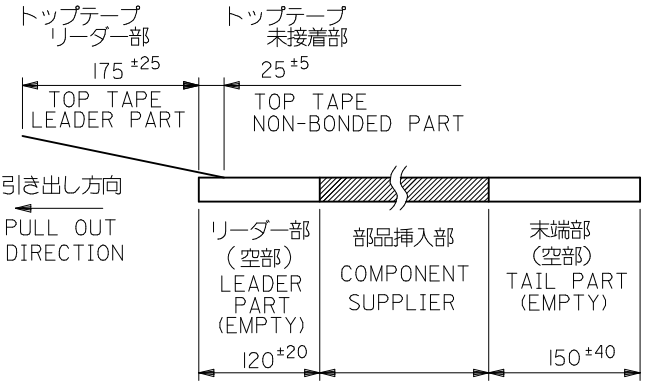
| | | | | | | | | | | |
|--|-------------|--|---------|---|--------------------|--|------------------------|------------------------|--|--|
| SEE SHEET 1 OF 2 EC NO.: J2013-1015 DRAWN: KMIYAHARA 2012/09/05 CHKD: KTAKAHASHI 2012/09/05 APPR: KMORIKAWA 2013/04/05 | DESCRIPTION | GENERAL TOLERANCES (UNLESS SPECIFIED) | | DIMENSION STYLE MM ONLY | | SCALE 5:1 | DESIGN UNITS METRIC | THIRD ANGLE PROJECTION | | |
| | | 10 UNDER | ± --- | DRAWN BY KMIYAHARA | DATE 2012/09/05 | TITLE 0.5MM FPC CONN ZIF R/A HOUSING ASSY (LOWER CONTACT) | | | | |
| | | 10 OVER 30 UNDER | ± --- | CHECKED BY KTAKAHASHI | DATE 2012/09/05 | | | | | |
| | | 30 OVER | ± --- | APPROVED BY KMORIKAWA | DATE 2013/04/05 | | | | | |
| 0 | REV | ANGULAR | ± --- ° | MATERIAL NO. SEE SHEET 1 | | DOCUMENT NO. SD-52437-023 | | SHEET NO. 2 OF 2 | | |
| | | DRAFT WHERE APPLICABLE MUST REMAIN WITHIN DIMENSIONS | | THIS DRAWING CONTAINS INFORMATION THAT IS PROPRIETARY TO MOLEX INCORPORATED AND SHOULD NOT BE USED WITHOUT WRITTEN PERMISSION | | | | | | |

注記 NOTES

1. 製品番号52437-**22の梱包状態はアクチュエータがロックした状態とする。
 製品の詳細寸法については図面SD-52437-023を参照下さい。
 IN THE PACKAGE, ACTUATOR OF PART NO. 52437-**22 SHOULD BE LOCKED
 RE DETAILED DIMENSIONS, SEE SD-52437-023.

2. 梱包数量：1000個/リール
 NUMBER OF CONNECTORS:1000PCS/REEL

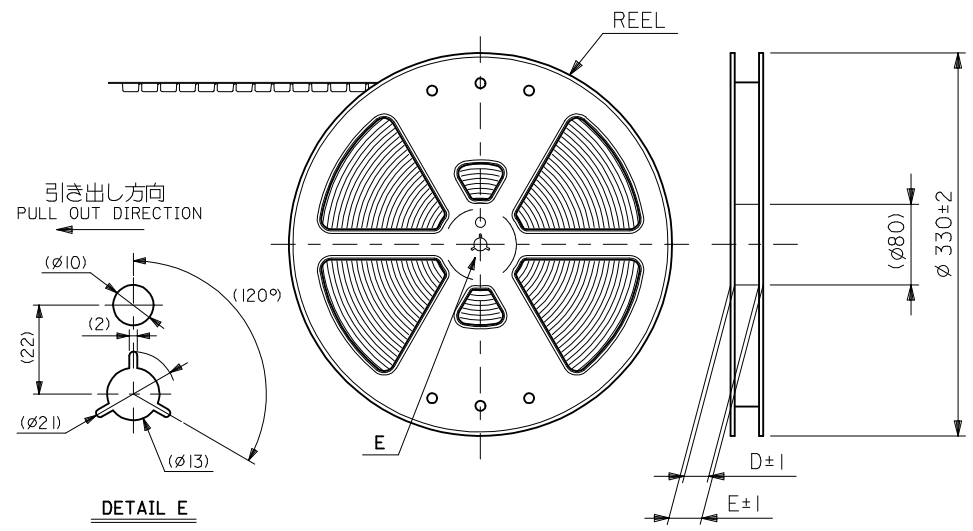
3. リードテープ長さ LEAD TAPE LENGTH



4. カバーテープの剥離強度については、IEC60286-3に準拠
 COVER TAPE PEEL FORCE IS DEFINED BY IEC 60286-3.

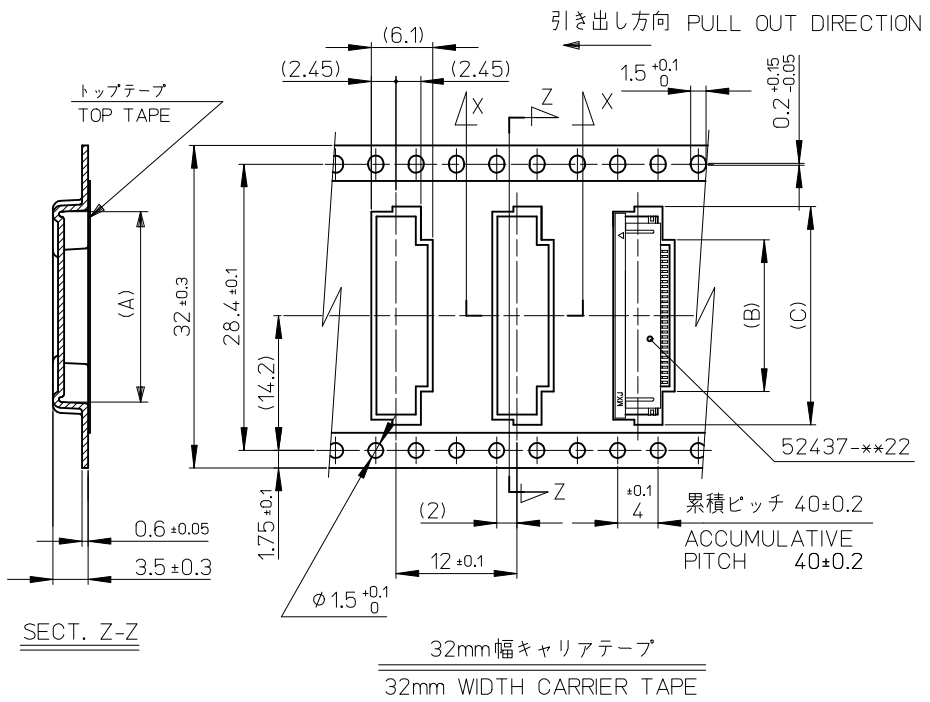
5. 材料 (MATERIAL)
 キャリアテープ (CARRIER TAPE) : ポリプロピレン (POLYPROPYLENE)
 トップテープ (TOPTAPE) : PET, PE, PEF
 リール (REEL) : ポリスチレン (PS) <リサイクル材を含む>
 POLYSTYREN (PS) <RECYCLE MATERIAL CONTAINED>

6. ELV及びRoHS適合品
 ELV AND RoHS COMPLIANT



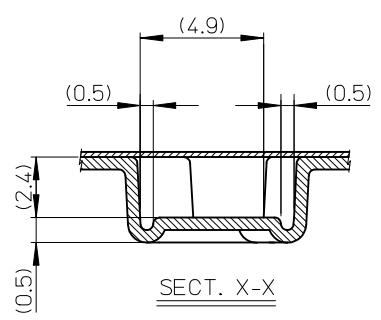
DETAIL E

| | | | | | | | | |
|--|---------------------------------------|---|----------------------------|--------------------|--|------------------------|------------------------|--|
| RELEASED EC NO: J2013-1015 DRWN: AISHII 2012/09/10 CHKD: TAKAHASHI 2012/09/10 APPR: KMORIKAWA 2013/04/05 | GENERAL TOLERANCES (UNLESS SPECIFIED) | | DIMENSION STYLE MM ONLY | | SCALE --- | DESIGN UNITS METRIC | THIRD ANGLE PROJECTION | |
| | 10 UNDER | ±0.2 | DRAWN BY AISHII | DATE 2012/09/10 | TITLE EMBOSS TAPE PACKAGED FOR 0.5MM FPC CONN ZIF R/A HOUSING ASSY molex DOCUMENT NO. SD-52437-024 SHEET NO. 1 OF 3 | | | |
| | 10 OVER 30 UNDER | ±0.25 | CHECKED BY KTAKAHASHI | DATE 2012/09/10 | | | | |
| | 30 OVER | ±0.3 | APPROVED BY KMORIKAWA | DATE 2013/04/05 | | | | |
| ANGULAR | ±3 ° | MATERIAL NO. SEE CHART | | | | | | |
| DRAFT WHERE APPLICABLE MUST REMAIN WITHIN DIMENSIONS | | THIS DRAWING CONTAINS INFORMATION THAT IS PROPRIETARY TO MOLEX INCORPORATED AND SHOULD NOT BE USED WITHOUT WRITTEN PERMISSION | | | | | | |



SECT. Z-Z

32mm幅キャリアテープ
32mm WIDTH CARRIER TAPE

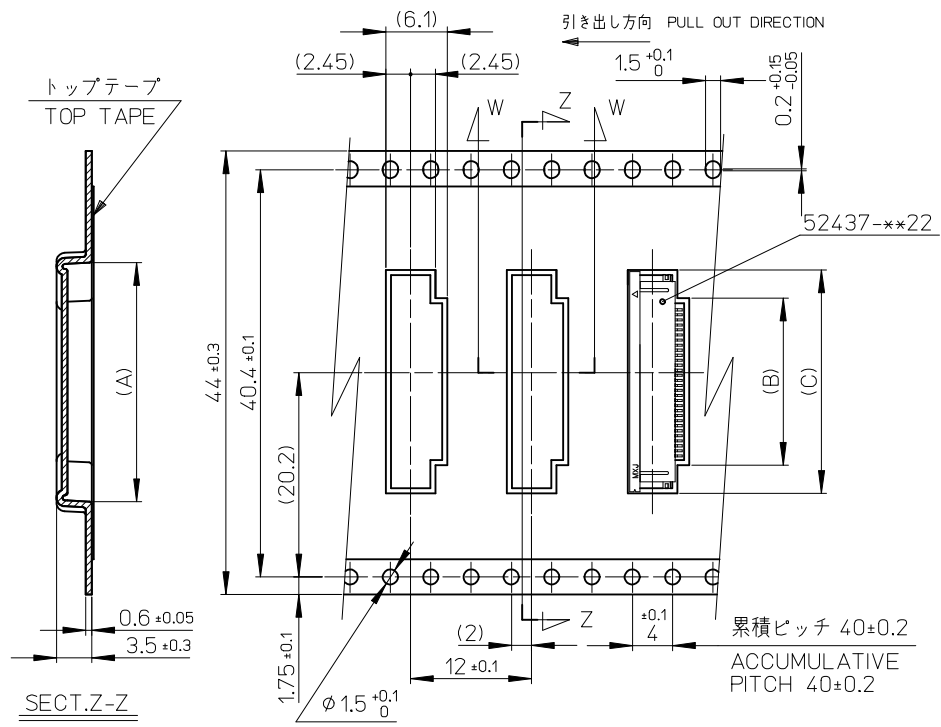


SECT. X-X

| | | | | | | | |
|--------------------------------|------|------|------|------|------|---------------------|-----------|
| 32 | 37.4 | 33.4 | 22.4 | 15.8 | 21.4 | 52437-2933 | 29 |
| | | | 21.9 | 15.3 | 20.9 | -2833 | 28 |
| | | | 21.4 | 14.8 | 20.4 | -2733 | 27 |
| | | | 20.9 | 14.3 | 19.9 | -2633 | 26 |
| | | | 20.4 | 13.8 | 19.4 | -2533 | 25 |
| | | | 19.9 | 13.3 | 18.9 | -2433 | 24 |
| | | | 19.4 | 12.8 | 18.4 | -2333 | 23 |
| | | | 18.9 | 12.3 | 17.9 | 52437-2233 | 22 |
| キャリアテープ幅 CARRIER TAPE WIDTH | E | D | (C) | (B) | (A) | 製品番号 MATERIAL NO | 極数 CKT |

| | | | | | |
|---|--|----------------------------|--------------------|---|---------------------------|
| SEE SHEET 1 OF 3 EC NO: J2013-1015 DRW: AISHII 2012/09/13 CHKD: TAKAHASHI 2012/09/13 APPR: KMORIKAWA 2013/04/05 | GENERAL TOLERANCES (UNLESS SPECIFIED) | DIMENSION STYLE MM ONLY | SCALE --- | DESIGN UNITS METRIC | THIRD ANGLE PROJECTION |
| | 10 UNDER ±--- | DRAWN BY AISHII | DATE 2012/09/13 | TITLE EMBOSS TAPE PACKAGED FOR 0.5MM FPC CONN ZIF R/A HOUSING ASSY | |
| | 10 OVER 30 UNDER ±--- | CHECKED BY TAKAHASHI | DATE 2012/09/13 | molex | |
| | 30 OVER ±--- | APPROVED BY KMORIKAWA | DATE 2013/04/05 | | |
| | ANGULAR ±--- ° | MATERIAL NO. | DOCUMENT NO. | SHEET NO. | |
| DRAFT WHERE APPLICABLE MUST REMAIN WITHIN DIMENSIONS | SEE CHART | SD-52437-024 | | 2 OF 3 | |

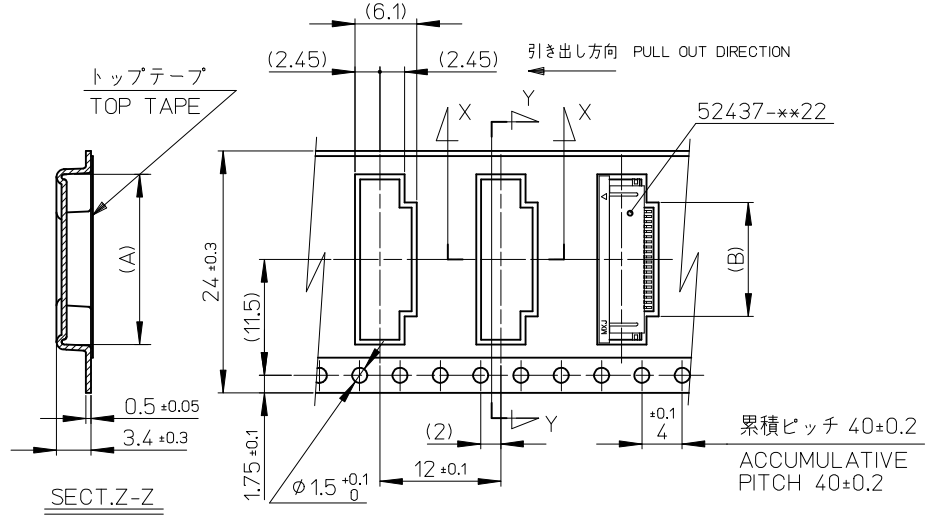
| | | | | | |
|------------|--|--|--|--|--|
| SIZE A3 | THIS DRAWING CONTAINS INFORMATION THAT IS PROPRIETARY TO MOLEX INCORPORATED AND SHOULD NOT BE USED WITHOUT WRITTEN PERMISSION | | | | |
|------------|--|--|--|--|--|



SECT.Z-Z

44mm幅キャリアテープ
44mm WIDTH CARRIER TAPE

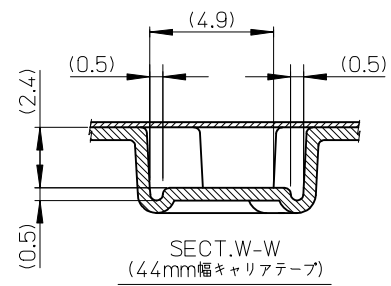
| | | | | | | | |
|--------------------------------|------|------|------|------|------|----------------------|------------|
| 44 | 49.4 | 45.4 | 25.4 | 18.8 | 24.4 | 52437-3533 | 35 |
| | | | 22.9 | 16.3 | 21.9 | 52437-3033 | 30 |
| キャリアテープ幅 CARRIER TAPE WIDTH | E | D | (C) | (B) | (A) | 製品番号 MATERIAL NO. | 極数 CKT. |



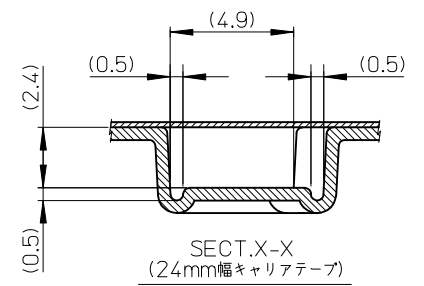
SECT.Z-Z

24mm幅キャリアテープ
24mm WIDTH CARRIER TAPE

| | | | | | | |
|--------------------------------|------|------|------|------|----------------------|------------|
| 24 | 29.4 | 25.4 | 11.8 | 17.4 | 52437-2133 | 21 |
| キャリアテープ幅 CARRIER TAPE WIDTH | E | D | (B) | (A) | 製品番号 MATERIAL NO. | 極数 CKT. |



SECT.W-W
(44mm幅キャリアテープ)



SECT.X-X
(24mm幅キャリアテープ)

| | | | | | | | | | |
|--|-------------------|------------|---|--------------|----------------------------|---------------------|---|------------------------|------------------------|
| SEE SHEET 1 OF 3 | EC NO: J2013-1015 | 2012/09/13 | GENERAL TOLERANCES (UNLESS SPECIFIED) | | DIMENSION STYLE MM ONLY | | SCALE --- | DESIGN UNITS METRIC | THIRD ANGLE PROJECTION |
| | DRWN: AISHII | 2012/09/13 | 10 UNDER | ± --- | DRAWN BY AISHII | DATE 2012/09/13 | TITLE EMBOSS TAPE PACKAGED FOR 0.5MM FPC CONN ZIF R/A HOUSING ASSY | | |
| | CHKD: KTAKAHASHI | 2012/09/13 | 10 OVER 30 UNDER | ± --- | CHECKED BY KTAKAHASHI | DATE 2012/09/13 | | | |
| | APPR: KMORIKAWA | 2013/04/05 | 30 OVER | ± --- | APPROVED BY KMORIKAWA | DATE 2013/04/05 | DOCUMENT NO. SD-52437-024 | | |
| REV O | DESCRIPTION | ANGULAR | ± --- ° | MATERIAL NO. | SEE CHART | SHEET NO. 3 OF 3 | | | |
| DRAFT WHERE APPLICABLE MUST REMAIN WITHIN DIMENSIONS | | | THIS DRAWING CONTAINS INFORMATION THAT IS PROPRIETARY TO MOLEX INCORPORATED AND SHOULD NOT BE USED WITHOUT WRITTEN PERMISSION | | | | | | |