



Chipsmall Limited consists of a professional team with an average of over 10 year of expertise in the distribution of electronic components. Based in Hongkong, we have already established firm and mutual-benefit business relationships with customers from,Europe,America and south Asia,supplying obsolete and hard-to-find components to meet their specific needs.

With the principle of "Quality Parts,Customers Priority,Honest Operation,and Considerate Service",our business mainly focus on the distribution of electronic components. Line cards we deal with include Microchip,ALPS,ROHM,Xilinx,Pulse,ON,Everlight and Freescale. Main products comprise IC,Modules,Potentiometer,IC Socket,Relay,Connector.Our parts cover such applications as commercial,industrial, and automotives areas.

We are looking forward to setting up business relationship with you and hope to provide you with the best service and solution. Let us make a better world for our industry!



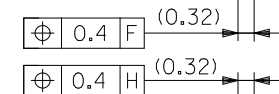
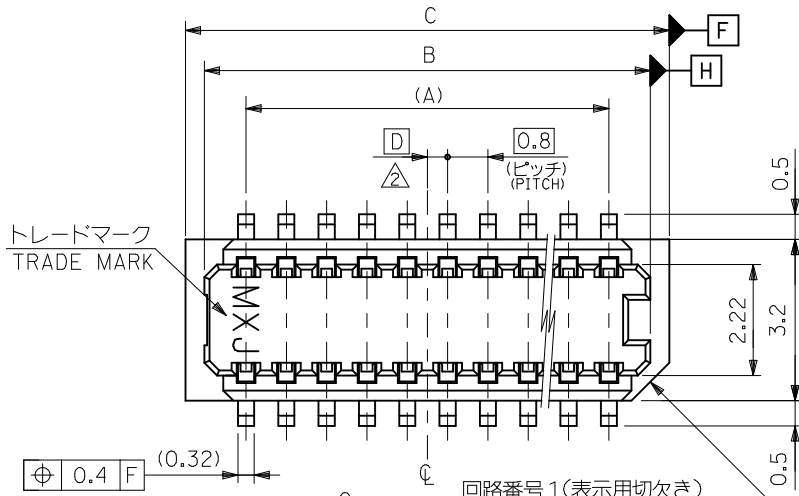
## Contact us

Tel: +86-755-8981 8866 Fax: +86-755-8427 6832

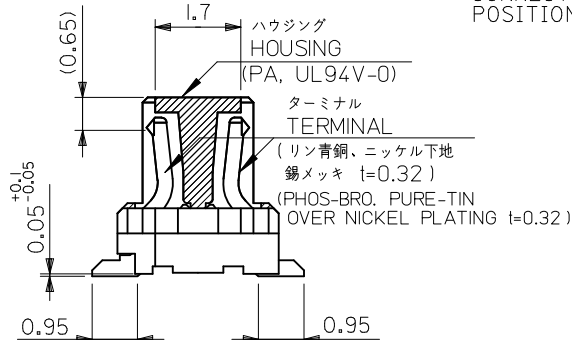
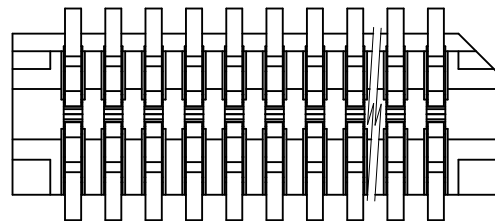
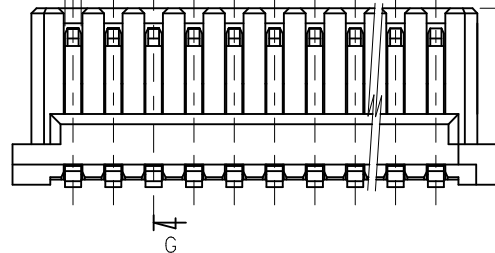
Email & Skype: info@chipsmall.com Web: www.chipsmall.com

Address: A1208, Overseas Decoration Building, #122 Zhenhua RD., Futian, Shenzhen, China



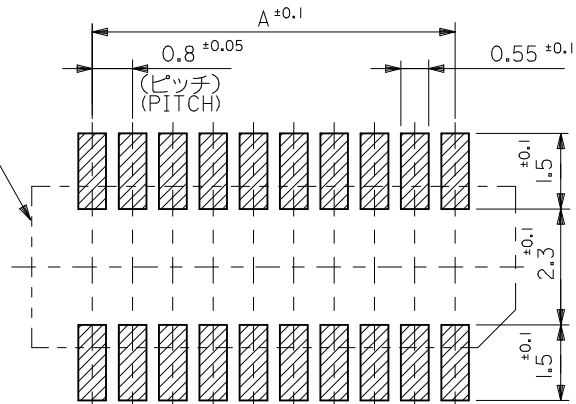


回路番号 1 (表示用切欠き)  
CHAMFERING TO INDICATE CKT. NO.1



SECT. G-G

コネクタ位置  
CONNECTOR POSITION



参考基板レイアウト (マウント面)  
P.C.B. PATTERN LAYOUT (REF.) (MOUNT AREA)

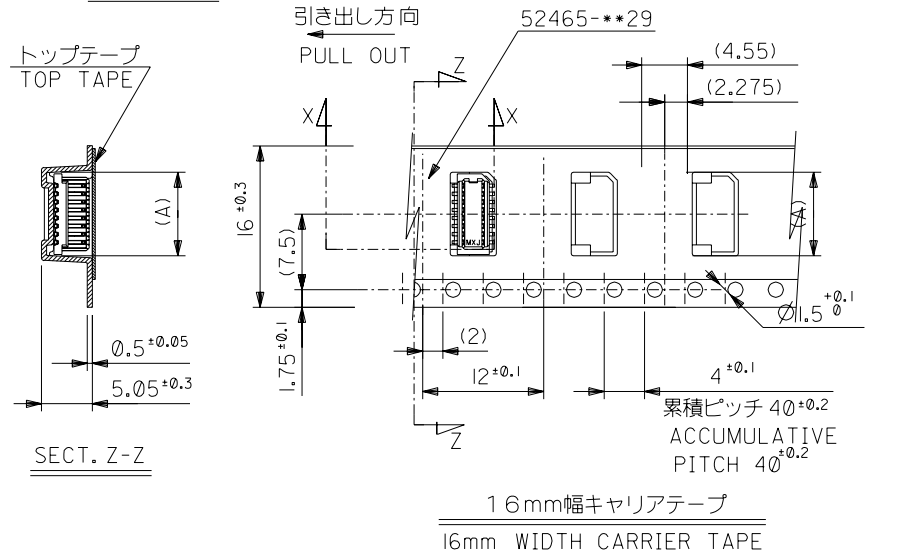
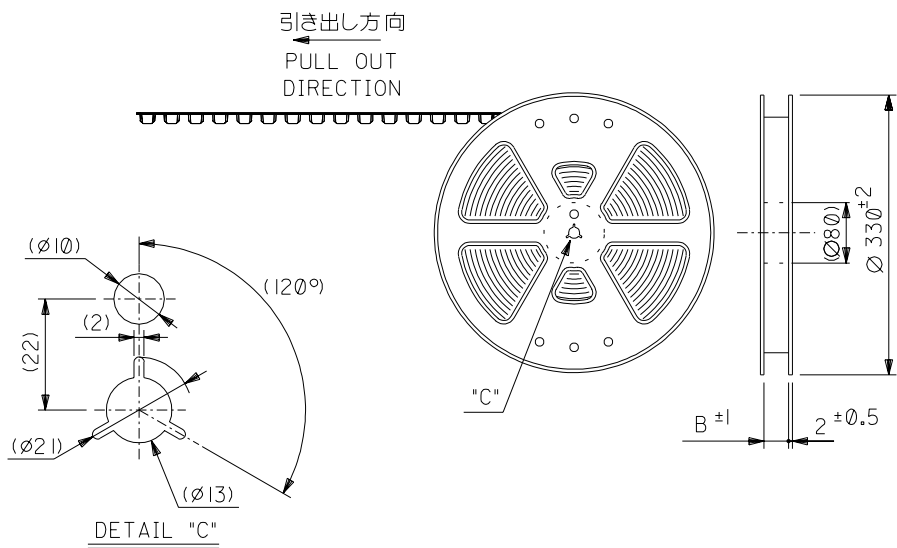
|     |      |       |      |            |            |    |
|-----|------|-------|------|------------|------------|----|
| 0.4 | 17.6 | 16.85 | 15.2 | 52465-4071 | 52465-4029 | 40 |
| 0.8 | 16.8 | 16.05 | 14.4 | 52465-3871 | 52465-3829 | 38 |
| 0.4 | 16.0 | 15.25 | 13.6 | 52465-3671 | 52465-3629 | 36 |
| 0.8 | 15.2 | 14.45 | 12.8 | 52465-3471 | 52465-3429 | 34 |
| 0.4 | 14.4 | 13.65 | 12.0 | 52465-3271 | 52465-3229 | 32 |
| 0.8 | 13.6 | 12.85 | 11.2 | 52465-3071 | 52465-3029 | 30 |
| 0.4 | 12.8 | 12.05 | 10.4 | 52465-2871 | 52465-2829 | 28 |
| 0.8 | 12.0 | 11.25 | 9.6  | 52465-2671 | 52465-2629 | 26 |
| 0.4 | 11.2 | 10.45 | 8.8  | 52465-2471 | 52465-2429 | 24 |
| 0.8 | 10.4 | 9.65  | 8.0  | 52465-2271 | 52465-2229 | 22 |
| 0.4 | 9.6  | 8.85  | 7.2  | 52465-2071 | 52465-2029 | 20 |
| 0.8 | 8.8  | 8.05  | 6.4  | 52465-1871 | 52465-1829 | 18 |
| 0.4 | 8.0  | 7.25  | 5.6  | 52465-1671 | 52465-1629 | 16 |
| 0.8 | 7.2  | 6.45  | 4.8  | 52465-1471 | 52465-1429 | 14 |
| 0.4 | 6.4  | 5.65  | 4.0  | 52465-1271 | 52465-1229 | 12 |
| 0.8 | 5.6  | 4.85  | 3.2  | 52465-1071 | 52465-1029 | 10 |

NOTES

- 嵌合相手: 53307, 53309 シリーズ  
MATES WITH 53307, 53309 SERIES
- ハウジングの C から隣接するターミナルの C 迄の位置を示す。  
SHOW POSITION FROM C OF HOUSING TO C OF ADJACENT TERMINALS.
- 一對の基板の嵌合に於いて、本製品を2個以上使用することは推奨できません。  
MXJ DOSE NOT RECOMMEND THE USAGE OF TWO OR MORE OF THESE CONNECTORS BETWEEN A SINGLE PAIR OF P. C. BOARD.
- 本製品は 52465-\*\*27 の鉛フリー品である。  
THIS PRODUCT IS LEAD FREE OF 52465-\*\*27.
- ELV及びRoHS適合品  
ELV AND RoHS COMPLIANT

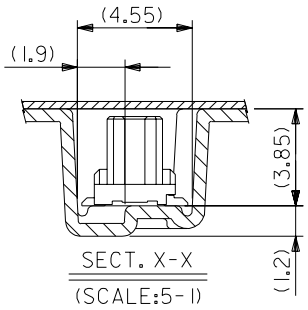
|  |             |  |       |                            |  |                              |  |   |  |  |  |
|--|-------------|--|-------|----------------------------|--|------------------------------|--|---|--|--|--|
| REVISED<br>EC NO: J2010-0755<br>DRWN: TAKAGAWA01 2008/12/17<br>CHKD: SMARUYAMA 2010/03/24<br>APPR: MSASAO 2010/03/25 | DESCRIPTION | GENERAL TOLERANCES (UNLESS SPECIFIED)                                      |       | DIMENSION STYLE<br>MM ONLY |  | SCALE<br>10:1                |  | DESIGN UNITS<br>METRIC                                |  | THIRD ANGLE PROJECTION   |  |
|  |             | 10 UNDER   | ±0.2  | DRAWN BY<br>Y. SAKIYAMA    |  | DATE<br>2004/02/17           |  | TITLE<br>0.8 BOARD TO BOARD CONN.<br>HOUSING ASSY SMT |  |  |  |
|  |             | 10 OVER 30 UNDER   | ±0.25 | CHECKED BY<br>M. SASAO     |  | DATE<br>2004/02/17           |  |   |  |  |  |
|  |             | 30 OVER  | ±0.3  | APPROVED BY<br>M. SASAO    |  | DATE<br>2004/02/17           |  | MATERIAL NO.  |  | SHEET NO.  |  |
| A  | REV         | ANGULAR ±3 °<br>DRAFT WHERE APPLICABLE<br>MUST REMAIN<br>WITHIN DIMENSIONS |       | SEE TABLE                  |  | DOCUMENT NO.<br>SD-52465-028 |  | 1 OF 1  |  | INCORPORATED AND SHOULD NOT BE USED WITHOUT WRITTEN PERMISSION |  |

DWG. NO. SD-52465-029



NOTES

- 梱包数量: 1000 個/リール NUMBER OF CONNECTORS: 1000 PCS/REEL
- リードテープ長さ LEAD TAPE LENGTH  
 トップテープ リーダー部 TOP TAPE LEADER PART 175 ±25  
 トップテープ 未接着部 TOP TAPE NON-BONDED PART 25 ±5  
 リーダー部 (空部) LEADER PART (EMPTY) 120 ±20  
 部品挿入部 COMPONENT SUPPLIER  
 末端部 (空部) TAIL PART (EMPTY) 150 ±40
- トップテープの剥離強度: 0.1 ~ 1.3N (10 ~ 130gf) (剥離方向は下図参照)  
 尚、本規格値は、出荷時に適用。(但し、輸送時に剥離が発生しない事。)  
 PEELING OFF FORCE OF TOP TAPE: 0.1 ~ 1.3N (10 ~ 130gf)  
 (PEELING DIRECTION AS SHOWN IN FOLLOWING FIG.)  
 THIS REQUIREMENT SHOULD BE APPLIED AT SHIPMENT  
 PEEL OFF SHOULD NOT BE ALLOWED, DURING TRANSPORTATION  
 剥離方向 PEEL OFF DIRECTION 10°
- 材料  
 キャリアテープ: ポリプロピレン (PP) CARRIER TAPE: POLYPROPYLENE  
 トップテープ: PET, PE, PEF TOP TAPE: PET, PE, PEF  
 リール: ポリスチレン (PS) REEL: POLYSTYRENE (PS)  
 <リサイクル材を含む> <RECYCLE MATERIAL CONTAINED>



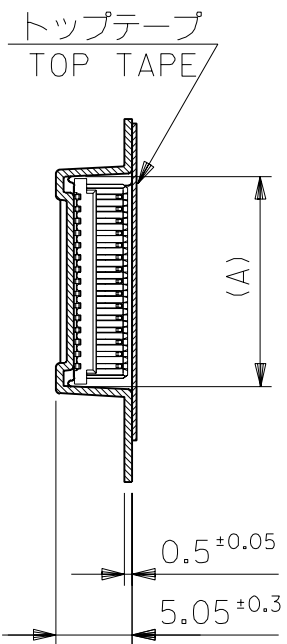
5. 本製品は 52465-\*\*\*91 の鉛フリー品である。  
 THIS PRODUCT IS LEAD FREE OF 52465-\*\*\*91.

|                                |      |     |              |          |
|--------------------------------|------|-----|--------------|----------|
| 16                             | 17.5 | 9.1 | 52465-1871   | 18       |
|                                |      | 8.3 | 52465-1671   | 16       |
|                                |      | 7.5 | 52465-1471   | 14       |
|                                |      | 6.7 | 52465-1271   | 12       |
|                                |      | 5.9 | 52465-1071   | 10       |
| キャリアテープ幅<br>CARRIER TAPE WIDTH | B    | (A) | MATERIAL NO. | CIRCUITS |

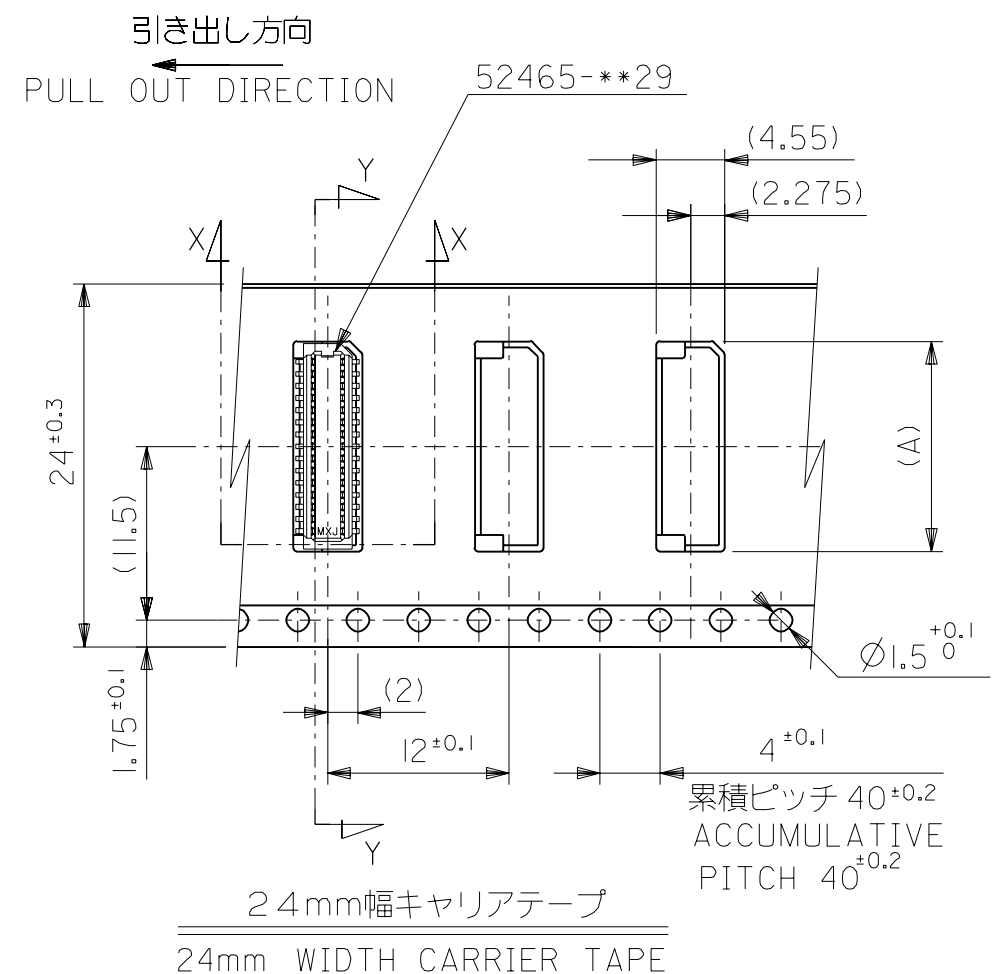
DO NOT SCALE DRAWING

|  |                                  |                                  |                                  |                                  |  |                             |   |       |                           |                           |                            |     |     |
|--|----------------------------------|----------------------------------|----------------------------------|----------------------------------|--|-----------------------------|---|-------|---------------------------|---------------------------|----------------------------|-----|-----|
| EC NO.<br>DRWN:<br>CHK:<br>APPR:   | EC NO.<br>DRWN:<br>CHK:<br>APPR: | EC NO.<br>DRWN:<br>CHK:<br>APPR: | EC NO.<br>DRWN:<br>CHK:<br>APPR: | EC NO.<br>DRWN:<br>CHK:<br>APPR: | RELEASED '04/02/17<br>EC NO. J2004-2482<br>DRWN: Y.SAKIYAMA<br>CHK: M.SASAO<br>APPR: M.SASAO | MATERIAL<br>材料<br>SEE NOTES | GENERAL TOLERANCES:<br>(UNLESS SPECIFIED)<br>一般公差 | SCALE | DESIGN UNITS<br>mm □ INCH | THIRD ANGLE<br>PROJECTION | DIMENSIONS:<br>□ mm □ INCH | SHT | REV |
|  |                                  |                                  |                                  |                                  |  | FINISH<br>仕上げ               | 10 UNDER<br>未満                                    | 1:1   | mm                        | 第三角<br>投影                 | mm ONLY                    |     |     |
|  |                                  |                                  |                                  |                                  |  | WIRE RANGE<br>適用電線範囲        | 30 UNDER<br>未満                                    |       |                           |                           |                            |     |     |
|  |                                  |                                  |                                  |                                  |  | INS. RANGE<br>被覆外径          | 30 OVER<br>以上                                     |       |                           |                           |                            |     |     |
|  |                                  |                                  |                                  |                                  |  |                             | ANGLE<br>角度                                       |       |                           |                           |                            |     |     |
| TITLE:<br>0.8 B-To-B Hsg Assy SMT<br>Embstp Pkg -LEAD FREE-  |                                  |                                  |                                  |                                  |  |                             |   |       |                           |                           |                            |     |     |
| MATERIAL NO. SD-52465-029  |                                  |                                  |                                  |                                  |  |                             |   |       |                           |                           |                            |     |     |
| DRAWING NO. SD-52465-029   |                                  |                                  |                                  |                                  |  |                             |   |       |                           |                           |                            |     |     |
| SHEET NO. 1 OF 2   |                                  |                                  |                                  |                                  |  |                             |   |       |                           |                           |                            |     |     |
| THIS DRAWING CONTAINS INFORMATION THAT IS PROPRIETARY TO MOLEX INCORPORATED AND SHOULD NOT BE USED WITHOUT WRITTEN PERMISSION. |                                  |                                  |                                  |                                  |  |                             |   |       |                           |                           |                            |     |     |
| MOLEX MOLEX INCORPORATED   |                                  |                                  |                                  |                                  |  |                             |   |       |                           |                           |                            |     |     |
| SIZE B   |                                  |                                  |                                  |                                  |  |                             |   |       |                           |                           |                            |     |     |

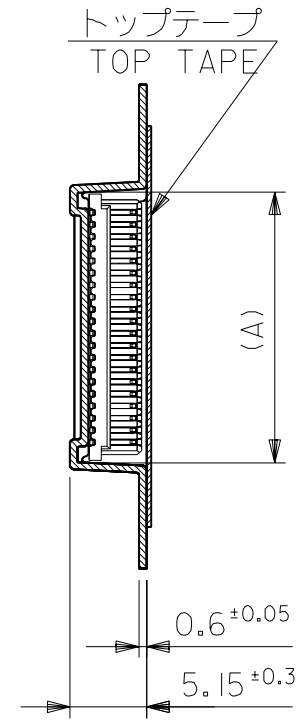
DWG. NO.  
SD-52465-029



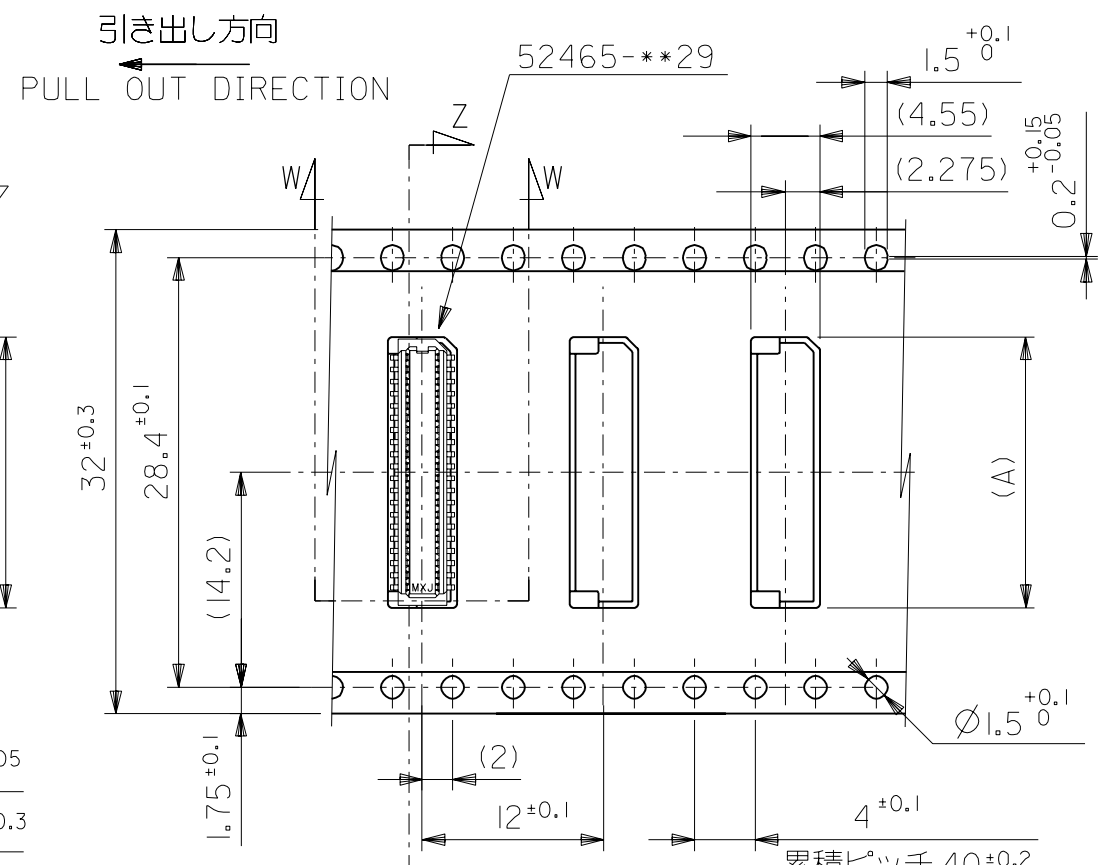
SECT. Y-Y



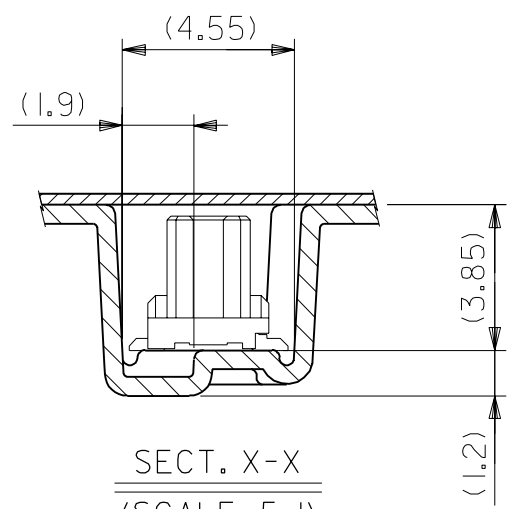
24mm幅キャリアテープ  
24mm WIDTH CARRIER TAPE



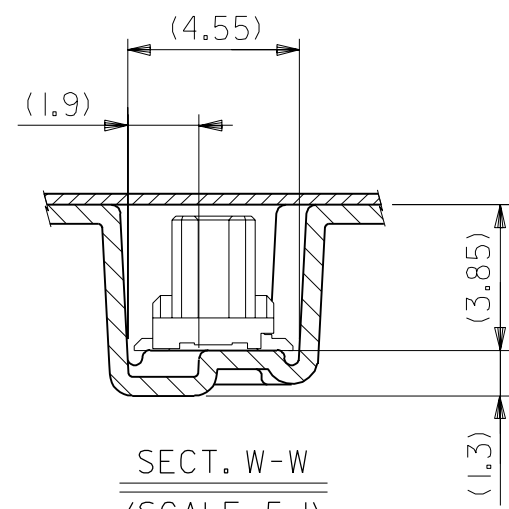
SECT. Z-Z



32mm幅キャリアテープ  
32mm WIDTH CARRIER TAPE



SECT. X-X  
(SCALE; 5:1)



SECT. W-W  
(SCALE; 5:1)

|                                |      |      |              |          |
|--------------------------------|------|------|--------------|----------|
| 32                             | 33.5 | 17.9 | 52465-4071   | 40       |
|                                |      | 17.1 | 52465-3871   | 38       |
| 24                             | 25.5 | 16.3 | 52465-3671   | 36       |
|                                |      | 15.5 | 52465-3471   | 34       |
|                                |      | 14.7 | 52465-3271   | 32       |
|                                |      | 13.9 | 52465-3071   | 30       |
|                                |      | 13.1 | 52465-2871   | 28       |
|                                |      | 12.3 | 52465-2671   | 26       |
|                                |      | 11.5 | 52465-2471   | 24       |
|                                |      | 10.7 | 52465-2271   | 22       |
|                                |      | 9.9  | 52465-2071   | 20       |
| キャリアテープ幅<br>CARRIER TAPE WIDTH | B    | (A)  | MATERIAL NO. | CIRCUITS |

|  |                              |   |   |                        |           |
|--|------------------------------|---|---|------------------------|-----------|
| MODEL NO.  | 52465-***71                  | DIMENSIONS:                             | <input type="checkbox"/> mm <input type="checkbox"/> INCH <input checked="" type="checkbox"/> mm ONLY | SHT                    | REV       |
| SCALE  | ---                          | DESIGN UNITS                            | <input checked="" type="checkbox"/> mm <input type="checkbox"/> INCH                                  | THIRD ANGLE PROJECTION |           |
| GENERAL TOLERANCES:<br>(UNLESS SPECIFIED)<br>一般公差  | 10 UNDER 未満 ±0.2             | DRAWN BY & DATE<br>Y.SAKIYAMA '04/02/17 | TITLE:<br>0.8 B-To-B Hsg Assy SMT<br>Embstp Pkg -LEAD FREE-   |                        |           |
|  | 10 OVER 以上 30 UNDER 未満 ±0.25 | CHECKED BY & DATE<br>M.SASAO '04/02/17  | MOLEX INCORPORATED  |                        |           |
|  | 30 OVER 以上 ±0.3              | APPROVED BY & DATE<br>M.SASAO '04/02/17 | MATERIAL NO.  | DRAWING NO.            | SHEET NO. |
| ANGLE 角度   | ±3°                          | CAD FILENAME<br>SD-52465-029.S02        | SEE CHART   | SD-52465-029           | 2 OF 2    |
| THIS DRAWING CONTAINS INFORMATION THAT IS PROPRIETARY TO MOLEX INCORPORATED AND SHOULD NOT BE USED WITHOUT WRITTEN PERMISSION. |                              |   |   |                        | SIZE<br>B |

DO NOT SCALE DRAWING

|                    |                   |       |       |        |       |       |       |        |       |       |       |        |       |       |       |
|--------------------|-------------------|-------|-------|--------|-------|-------|-------|--------|-------|-------|-------|--------|-------|-------|-------|
| EC NO.             | DRWN:             | CH'K: | APPR: | EC NO. | DRWN: | CH'K: | APPR: | EC NO. | DRWN: | CH'K: | APPR: | EC NO. | DRWN: | CH'K: | APPR: |
|                    |                   |       |       |        |       |       |       |        |       |       |       |        |       |       |       |
| RELEASED '04/02/17 |                   |       |       |        |       |       |       |        |       |       |       |        |       |       |       |
| EC NO. J2004-2482  |                   |       |       |        |       |       |       |        |       |       |       |        |       |       |       |
| DRWN: Y.SAKIYAMA   |                   |       |       |        |       |       |       |        |       |       |       |        |       |       |       |
| CH'K: M.SASAO      |                   |       |       |        |       |       |       |        |       |       |       |        |       |       |       |
| APPR: M.SASAO      |                   |       |       |        |       |       |       |        |       |       |       |        |       |       |       |
| REV                | DESCRIPTION       |       |       |        |       |       |       |        |       |       |       |        |       |       |       |
| 0                  | SEE SHEET 1 OF 2  |       |       |        |       |       |       |        |       |       |       |        |       |       |       |
|                    | MATERIAL 材料       |       |       |        |       |       |       |        |       |       |       |        |       |       |       |
|                    | FINISH 仕上げ        |       |       |        |       |       |       |        |       |       |       |        |       |       |       |
|                    | WIRE RANGE 適用電線範囲 |       |       |        |       |       |       |        |       |       |       |        |       |       |       |
|                    | INS. RANGE 被覆外径   |       |       |        |       |       |       |        |       |       |       |        |       |       |       |

SD-52465-029.S02