



Chipsmall Limited consists of a professional team with an average of over 10 year of expertise in the distribution of electronic components. Based in Hongkong, we have already established firm and mutual-benefit business relationships with customers from,Europe,America and south Asia,supplying obsolete and hard-to-find components to meet their specific needs.

With the principle of “Quality Parts,Customers Priority,Honest Operation,and Considerate Service”,our business mainly focus on the distribution of electronic components. Line cards we deal with include Microchip,ALPS,ROHM,Xilinx,Pulse,ON,Everlight and Freescale. Main products comprise IC,Modules,Potentiometer,IC Socket,Relay,Connector.Our parts cover such applications as commercial,industrial, and automotives areas.

We are looking forward to setting up business relationship with you and hope to provide you with the best service and solution. Let us make a better world for our industry!



Contact us

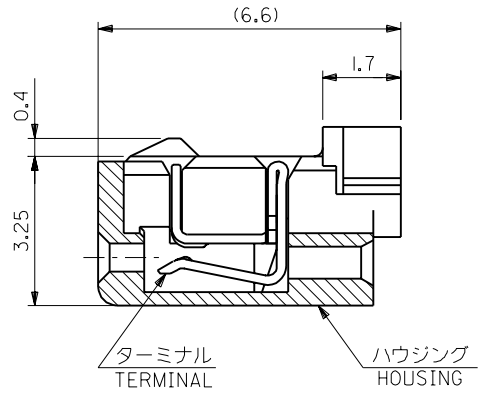
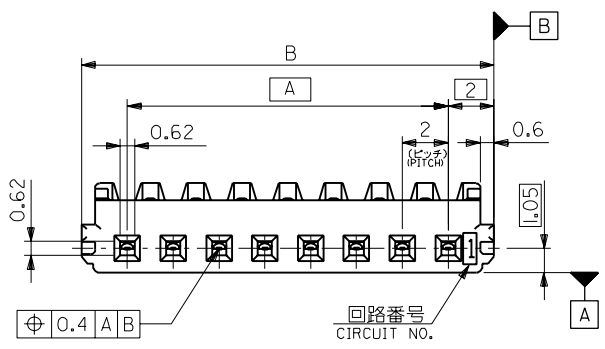
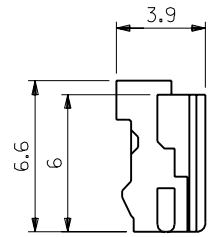
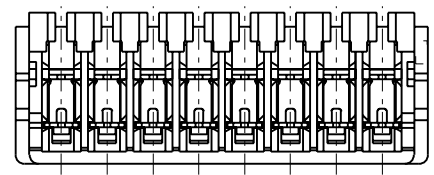
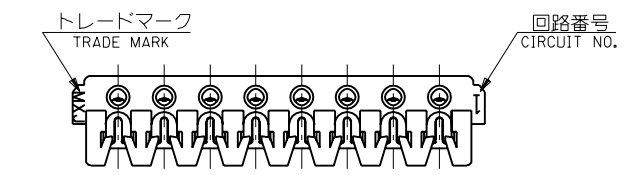
Tel: +86-755-8981 8866 Fax: +86-755-8427 6832

Email & Skype: info@chipsmall.com Web: www.chipsmall.com

Address: A1208, Overseas Decoration Building, #122 Zhenhua RD., Futian, Shenzhen, China



DWG. NO. SD-52484-008



ターミナル装着状態図
FIGURE OF TERMINAL WHEN ASSEMBLED
(SCALE : 10-1)

注記
NOTES

1. 嵌合相手: 53324-***0, 53325-***0, 53358-***0, 53401-***0
MATES WITH
2. 材質
MATERIAL
ハウジング: ガラス入り66ナイロン, UL94V-0, 色: 表参照
HOUSING: GLASS FILLED 66 NYLON, UL94V-0, COLOR: SEE CHART
ターミナル: りん青銅, 錫メッキ (t=0.2)
TERMINAL: PHOSPHOR BRONZE, PRE-TINNED (t=0.2)
3. 適合クリップ: 51094-***05
APPLICABLE CLIP



製品番号
MATERIAL NO.
52484-***
極数 CIRCUIT SIZE

ナチュラル(白) NATURAL(WHITE)	0
赤 RED	2
黄 YELLOW	3
青 BLUE	4

32	28	52484-151*	15	52484-***1*
30	26	-141*	14	
28	24	-131*	13	
26	22	-121*	12	
24	20	-111*	11	
22	18	-101*	10	
20	16	-091*	9	
18	14	-081*	8	
16	12	-071*	7	
14	10	-061*	6	
12	8	-051*	5	
10	6	-041*	4	
8	4	-031*	3	
6	2	52484-021*	2	
B	A	製品番号 MATERIAL NO.	極数 CIRCUIT	MODEL NO.

DO NOT SCALE DRAWING

EC NO. DRWN: CHK: APPR:	EC NO. DRWN: CHK: APPR:	EC NO. DRWN: CHK: APPR:	EC NO. DRWN: CHK: APPR:	O RELEASED EC No. JD2000-0703 DRWN: K.KOBAYASHI 00/05/07 CHK: J.MIYAZAWA 00/05/07 APPR: H.IKESUGI 00/05/07	DESCRIPTION	MATERIAL 材料	注参照 SEE NOTES	GENERAL TOLERANCES: (UNLESS SPECIFIED) 一般公差	SCALE	DESIGN UNITS	THIRD ANGLE PROJECTION	DIMENSIONS:		SHT	REV
						FINISH 仕上り			注参照 SEE NOTES	10 UNDER 未満		±0.2	<input checked="" type="checkbox"/> mm <input type="checkbox"/> INCH	<input type="checkbox"/> mm <input type="checkbox"/> INCH	<input checked="" type="checkbox"/> mm ONLY
WIRE RANGE 適用線径範囲	AWG #26-#28	ANGLE 角度	±3°	DRAWN BY & DATE <i>K Kobayashi</i> 00/05/07	TITLE: 2.0 W/B CONN. IDT REC. HS'G ASS'Y	MATERIAL NO. DRAWING NO. SHEET NO. 52484008.S01 SEE CHART SD-52484-008 1 OF 1									
INS. RANGE 被覆外径	φ1.05 MAX.	APPROVED BY & DATE <i>Miyazawa</i> 00/05/07				MATERIAL NO. DRAWING NO. SHEET NO. 52484008.S01 SEE CHART SD-52484-008 1 OF 1									
THIS DRAWING CONTAINS INFORMATION THAT IS PROPRIETARY TO MOLEX INCORPORATED AND SHOULD NOT BE USED WITHOUT WRITTEN PERMISSION.											SIZE B	EN-02J(097) MXJ-54			

52484008.S01