



Chipsmall Limited consists of a professional team with an average of over 10 year of expertise in the distribution of electronic components. Based in Hongkong, we have already established firm and mutual-benefit business relationships with customers from,Europe,America and south Asia,supplying obsolete and hard-to-find components to meet their specific needs.

With the principle of "Quality Parts,Customers Priority,Honest Operation,and Considerate Service",our business mainly focus on the distribution of electronic components. Line cards we deal with include Microchip,ALPS,ROHM,Xilinx,Pulse,ON,Everlight and Freescale. Main products comprise IC,Modules,Potentiometer,IC Socket,Relay,Connector.Our parts cover such applications as commercial,industrial, and automotives areas.

We are looking forward to setting up business relationship with you and hope to provide you with the best service and solution. Let us make a better world for our industry!



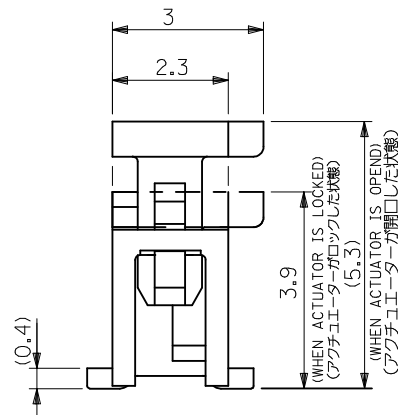
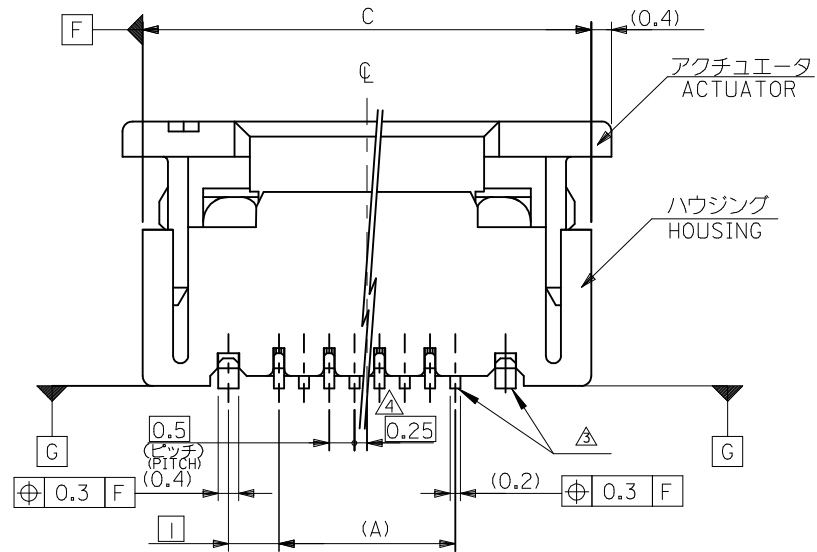
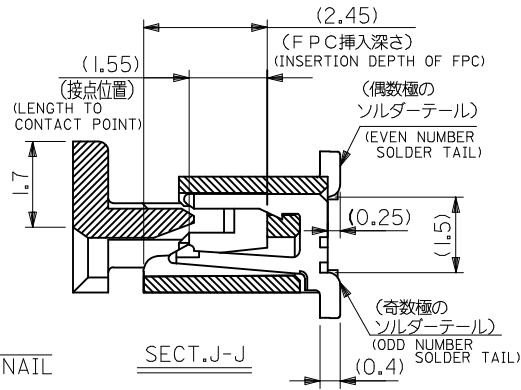
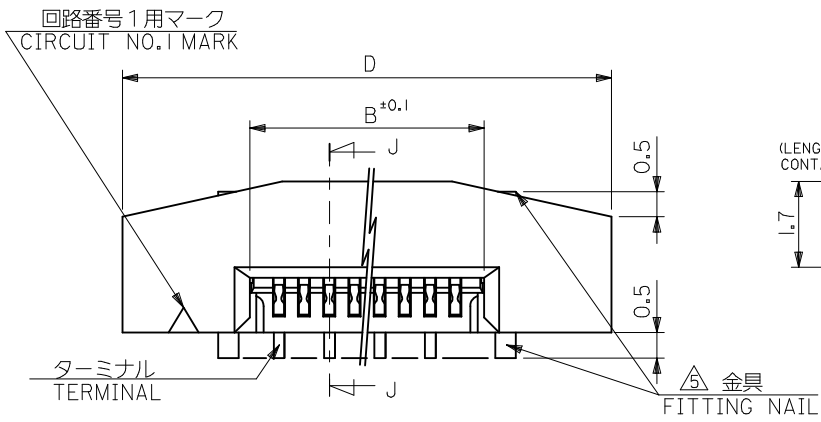
## Contact us

Tel: +86-755-8981 8866 Fax: +86-755-8427 6832

Email & Skype: info@chipsmall.com Web: www.chipsmall.com

Address: A1208, Overseas Decoration Building, #122 Zhenhua RD., Futian, Shenzhen, China





注記 NOTES

- 材質 MATERIAL  
 ハウジング: ホリヤミド (PA)、ガラス充填、ナチュラル (白)、UL94V-0  
 HOUSING: POLYAMIDE, GLASS FILLED, NATURAL, UL94V-0  
 アクチュエータ: ポリフェニレンサルファイド (PPS)、ガラス充填、ナチュラル、UL94V-0  
 ACTUATOR: POLYPHENYLENE SULFIDE, GLASS FILLED, NATURAL (BROWN), UL94V-0  
 ターミナル: 銅合金 (t = 0.2)  
 TERMINAL: COPPER ALLOY (t = 0.2)  
 金具: 銅合金 (t = 0.4)  
 NAIL: COPPER ALLOY (t = 0.4)
  - めっき仕様 PLATING  
 ターミナル TERMINAL  
 錫銀ビスマスめっき (1.0 μm以上)  
 下地: ニッケルめっき (1.0 μm以上)  
 TIN SILVER BISMUTH PLATING  
 (1.0 MICROMETER MINIMUM)  
 UNDER PLATE: NICKEL PLATING  
 (1.0 MICROMETER MINIMUM)  
 金具 FITTING NAIL  
 錫めっき (1.0 μm以上)  
 下地: ニッケルめっき (1.0 μm以上)  
 TIN PLATING  
 (1.0 MICROMETER MINIMUM)  
 UNDER PLATE: NICKEL PLATING  
 (1.0 MICROMETER MINIMUM)
- ⚠ ソルダータール半田付け面のズレ量、及び金具半田付け面のズレ量は、基準面  $\square$  に対し上方向0.05MAXIMUM、下方向0.15MAXIMUMとする。  
 MISALIGNMENT OF SOLDER TAILS AND FITTING NAILS FROM  $\square$   
 UPPER DIRECTION: 0.05MAXIMUM  
 LOWER DIRECTION 0.15MAXIMUM.
- ⚠ 偶数極に適用。  
 APPLY FOR EVEN CIRCUIT.
- ⚠ パターンはくり止め用金具。  
 FITTING NAIL FOR PREVENTION OF PEELING OF P.C.B. PATTERN.
- ⚠ R0.3は、FPCの導体部にカカらないこと。  
 R0.3 MUST NOT BE OVERLAPPED TO PATTERN OF FPC.
- エンボステープ梱包時は、アクチュエータがロックした状態とする。  
 IN THE PACKAGE, ACTUATOR OF PART NO. 52559-\*\*22 SHOULD BE LOCKED.
  - ソルダータールの平坦度は、0.12 MAXIMUMとする。  
 SOLDER TAIL COPLANARITY IS 0.12 MAXIMUM.
  - ELV及びRoHS適合品  
 ELV AND RoHS COMPLIANT.

REVISED EC NO: J2015-1624 DRWN: KONDO 2015/06/15 CHKD: TAKAHASHI 2015/06/15 APPR: YNOGAWA 2015/06/16	GENERAL TOLERANCES (UNLESS SPECIFIED)		DIMENSION STYLE MM ONLY		SCALE ---	DESIGN UNITS METRIC	THIRD ANGLE PROJECTION
	0.25 UNDER	UNDER	±0.03	DRAWN BY AISHII	DATE 2012/09/05	TITLE 0.5MM FPC CONN ZIF S/T HOUSING ASSY	
	0.25 OVER	0.5 UNDER	±0.05	CHECKED BY KTAKAHASHI	DATE 2012/09/05		
	0.5 OVER	1.0 UNDER	±0.1	APPROVED BY KMORIKAWA	DATE 2013/03/15		
	1.0 OVER	10 UNDER	±0.2	MATERIAL NO.	SEE SHEET 2	DOCUMENT NO. SD-52559-057	SHEET NO. 1 OF 2
10 OVER	30 UNDER	±0.25	DRAFT WHERE APPLICABLE MUST REMAIN WITHIN DIMENSIONS		THIS DRAWING CONTAINS INFORMATION THAT IS PROPRIETARY TO MOLEX INCORPORATED AND SHOULD NOT BE USED WITHOUT WRITTEN PERMISSION		

FPC/FFCについて ABOUT FPC/FFC

打ち抜き方向は導体側から補強板側を推奨します。

導体部については軟箔銅35μmまたは50μmを推奨します。

RECOMMENDED PUNCHING DIRECTION: FROM CONDUCTOR SIDE TO STIFFENER SIDE

RECOMMENDED CONDUCTOR SPEC: SOFT COPPER FOIL

RECOMMENDED CONDUCTOR THICKNESS: 35 MICROMETER OR 50 MICROMETER

FPCについてABOUT FPC

補強フィルム材質はポリイミドを推奨します。ベースフィルムは

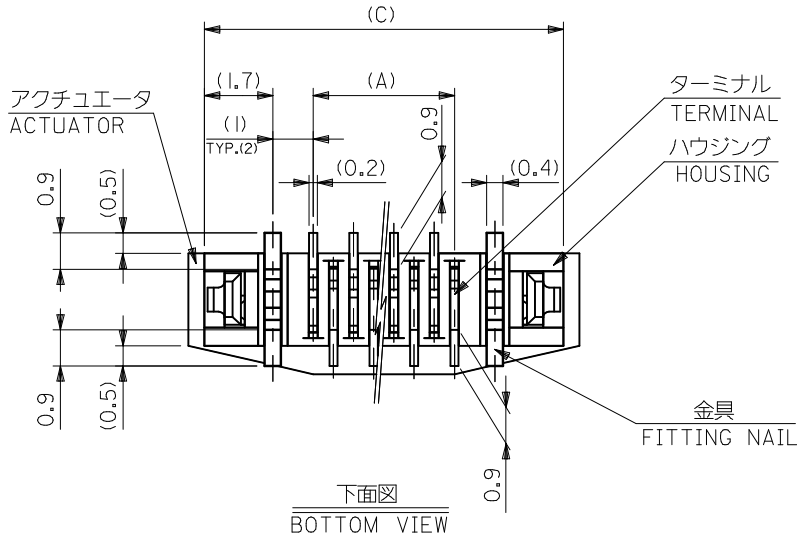
25μmを推奨します。

接着剤は熱硬化接着剤を推奨します。

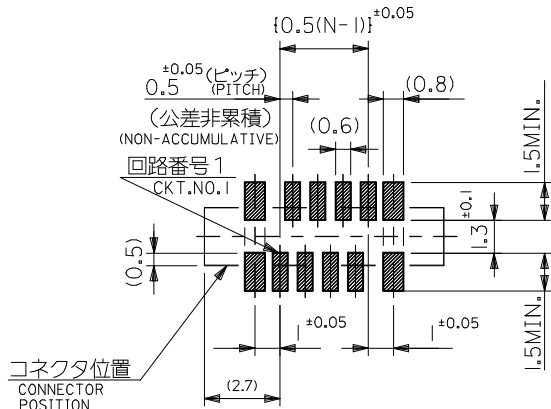
尚、接着剤の接点部への付着は導通不良の原因になりますので、

染み出しが無い様、お願い致します。

RECOMMENDED STIFFENER MATERIAL: POLYIMIDE  
 RECOMMENDED BASE FILM THICKNESS: 25 MICROMETER  
 RECOMMENDED ADHESIVE: THERMOSETTING ADHESIVE  
 NOTE: PLEASE PUT APPROPRIATE AMOUNT OF ADHESIVE ON ADHEREND BECAUSE THERE IS A POSSIBILITY THAT THE EXTRA ADHESIVE CAUSES THE DEFECT IN ELECTRICAL CONTINUITY.

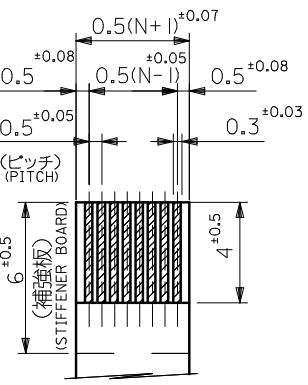


下面図  
BOTTOM VIEW



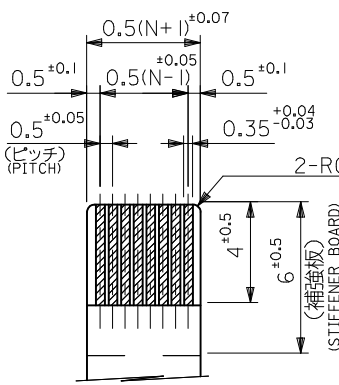
推奨基板レイアウト  
(マウント面)

RECOMMENDED P.C. BOARD PATTERN DIMENSION (MOUNTING SIDE)  
 マスク厚 : 150 μm  
 マスク開口率 : 100%  
 SCREEN THICKNESS : 150 μm  
 SCREEN OPEN RATIO : 100%



適合FFC推奨寸法  
APPLICABLE FFC RECOMMENDED DIMENSION.

(仕上がり厚さ: 0.3<sup>+0.05</sup>)  
(THICKNESS: 0.3<sup>+0.05</sup>)



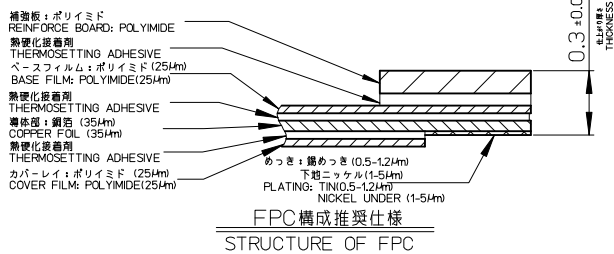
適合FPC推奨寸法  
APPLICABLE FPC RECOMMENDED DIMENSION.

(仕上がり厚さ: 0.3<sup>+0.05</sup>)  
(THICKNESS: 0.3<sup>+0.05</sup>)

26.7	25.9	21.65	20.5	52559-4233		42	
25.7	24.9	20.65	19.5	52559-4033		40	
23.7	22.9	18.65	17.5	-3633		36	
22.2	21.4	17.15	16.0		-3334	33	
21.7	20.9	16.65	15.5		-3233	32	
20.7	19.9	15.65	14.5		-3033	30	
19.7	18.9	14.65	13.5		-2833	-2834	28
19.2	18.4	14.15	13.0		-2733		27
18.7	17.9	13.65	12.5		-2633		26
18.2	17.4	13.15	12.0			-2534	25
17.7	16.9	12.65	11.5		-2433	-2434	24
17.2	16.4	12.15	11.0		-2333		23
16.7	15.9	11.65	10.5			-2234	22
16.2	15.4	11.15	10.0		-2133		21
15.7	14.9	10.65	9.5		-2033	-2034	20
14.7	13.9	9.65	8.5			-1834	18
14.2	13.4	9.15	8.0		-1733		17
13.7	12.9	8.65	7.5		-1633		16
13.2	12.4	8.15	7.0		-1533		15
12.7	11.9	7.65	6.5		-1433	-1434	14
12.2	11.4	7.15	6.0			-1334	13
11.7	10.9	6.65	5.5		-1233		12
10.7	9.9	5.65	4.5		-1033		10
10.2	9.4	5.15	4.0		-0933		9
9.7	8.9	4.65	3.5			-0834	8
8.7	7.9	3.65	2.5	52559-0633			6

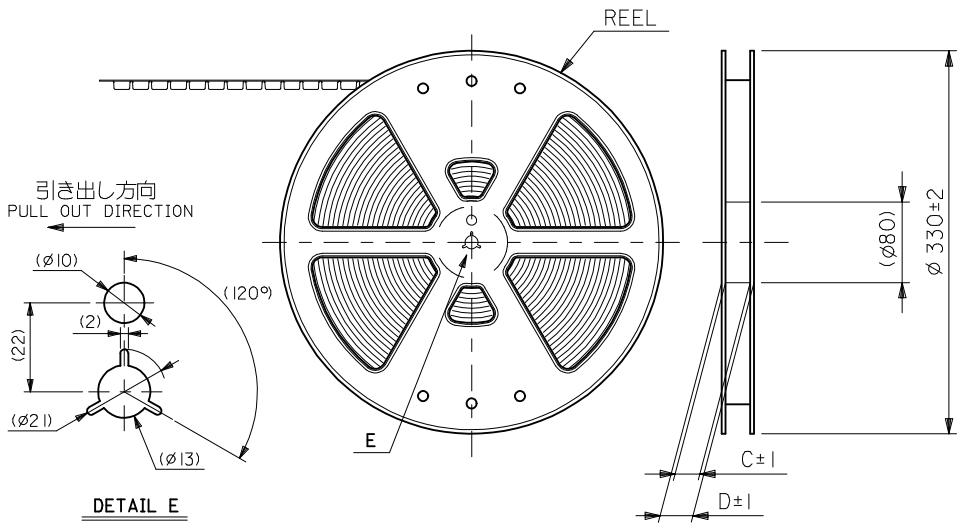
EMBOSSED PACKAGE 極数  
ORDER No. CKT.

CONNECTOR SERIES NO. : 52559-\*\*22



FPC構成推奨仕様  
STRUCTURE OF FPC

REVISED EC NO: J2015-1624 DRWN:KONDO 2015/06/15 CHKD:KAKAHASHI 2015/06/15 APPR: YNOGAWA 2015/06/16	DESCRIPTION	GENERAL TOLERANCES (UNLESS SPECIFIED)		DIMENSION STYLE		SCALE	DESIGN UNITS	THIRD ANGLE PROJECTION
				MM ONLY		---	METRIC	
REV	DESCRIPTION	0.25 UNDER	UNDER	±0.03	DRAWN BY	DATE	TITLE	0.5MM FPC CONN ZIF S/T HOUSING ASSY
		0.25 OVER	0.5 UNDER	±0.05	AISHII	2012/09/05		
REV	DESCRIPTION	0.5 OVER	1.0 UNDER	±0.1	CHECKED BY	DATE		molex
		1.0 OVER	10 UNDER	±0.2	KTAKAHASHI	2012/09/05		
REV	DESCRIPTION	30 OVER	30 UNDER	±0.25	APPROVED BY	DATE		SD-52559-057
		ANGULAR	±3 °	±0.3	KMORIKAWA	2013/03/15		
		DRAFT WHERE APPLICABLE MUST REMAIN WITHIN DIMENSIONS		SIZE	THIS DRAWING CONTAINS INFORMATION THAT IS PROPRIETARY TO MOLEX INCORPORATED AND SHOULD NOT BE USED WITHOUT WRITTEN PERMISSION			SHEET NO. 2 OF 2

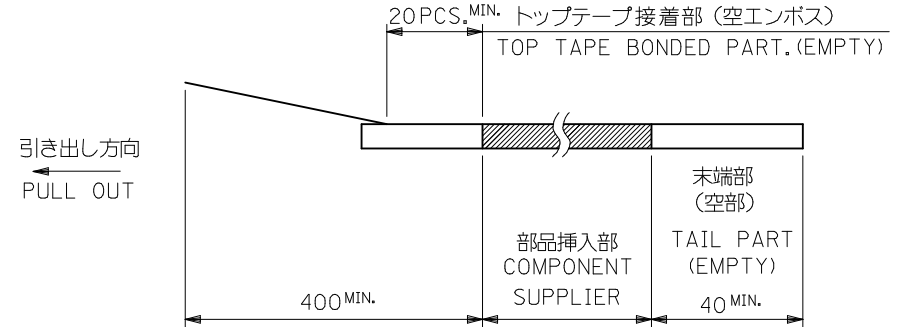


注記 NOTES

1. 製品番号 52559-\*\*22 の梱包状態はアクチュエータがロックした状態とする。  
 詳細寸法については SD-52559-057 を参照下さい。  
 IN THE PACKAGE, ACTUATOR OF PART NO. 52559-\*\*22 SHOULD BE LOCKED FOR DIMENSIONS OF PRODUCT, REFER TO SD-52559-057.

2. 梱包数量：1000個/リール  
 NUMBER OF CONNECTORS: 1000PCS/REEL

3. リードテープ長さ LEAD TAPE LENGTH



4. カバーテープの剥離強度については、IEC60286-3に準拠  
 COVER TAPE PEEL FORCE IS DEFINED BY IEC 60286-3.

5. 材料 キャリアテープ：ポリプロピレン (PP)  
 トップテープ：PET, PE, PEF  
 リール：ポリスチレン (PS) <リサイクル材を含む>

MATERIAL CARRIER TAPE: POLYPROPYLENE  
 TOP TAPE: PET, PE, PEF  
 REEL: POLYSTYRENE (PS)  
 <RECYCLE MATERIAL CONTAINED>

6. ELV及RoHS適合品  
 ELV AND RoHS COMPLIANT

REVISED EC NO: J2014-1138 DRW: AISHII 2014/01/21 CHKD: TAKAHASHI 2014/01/21 APPR: YNOGAWA 2014/01/22	GENERAL TOLERANCES (UNLESS SPECIFIED)		DIMENSION STYLE MM ONLY		SCALE ---	DESIGN UNITS METRIC	THIRD ANGLE PROJECTION
	10 UNDER	±0.2	DRAWN BY AISHII	DATE 2012/09/05	TITLE EMBOSS TAPE PACKAGED FOR 0.5MM FPC CONN ZIF S/T HOUSING ASSY  <b>molex</b> DOCUMENT NO. SD-52559-058 SHEET NO. 1 OF 4		
	10 OVER 30 UNDER	±0.25	CHECKED BY KTAKAHASHI	DATE 2012/09/05			
	30 OVER	±0.3	APPROVED BY KMORIKAWA	DATE 2013/03/15			
ANGULAR ±3 °		MATERIAL NO. SEE CHART					
DRAFT WHERE APPLICABLE MUST REMAIN WITHIN DIMENSIONS		SIZE A3		THIS DRAWING CONTAINS INFORMATION THAT IS PROPRIETARY TO MOLEX INCORPORATED AND SHOULD NOT BE USED WITHOUT WRITTEN PERMISSION			

F

E

D

C

B

A

F

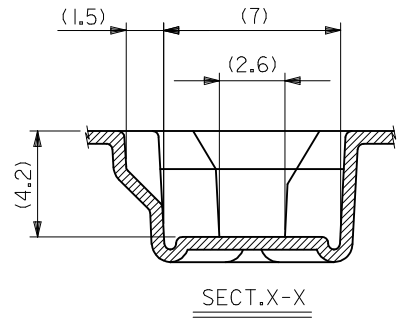
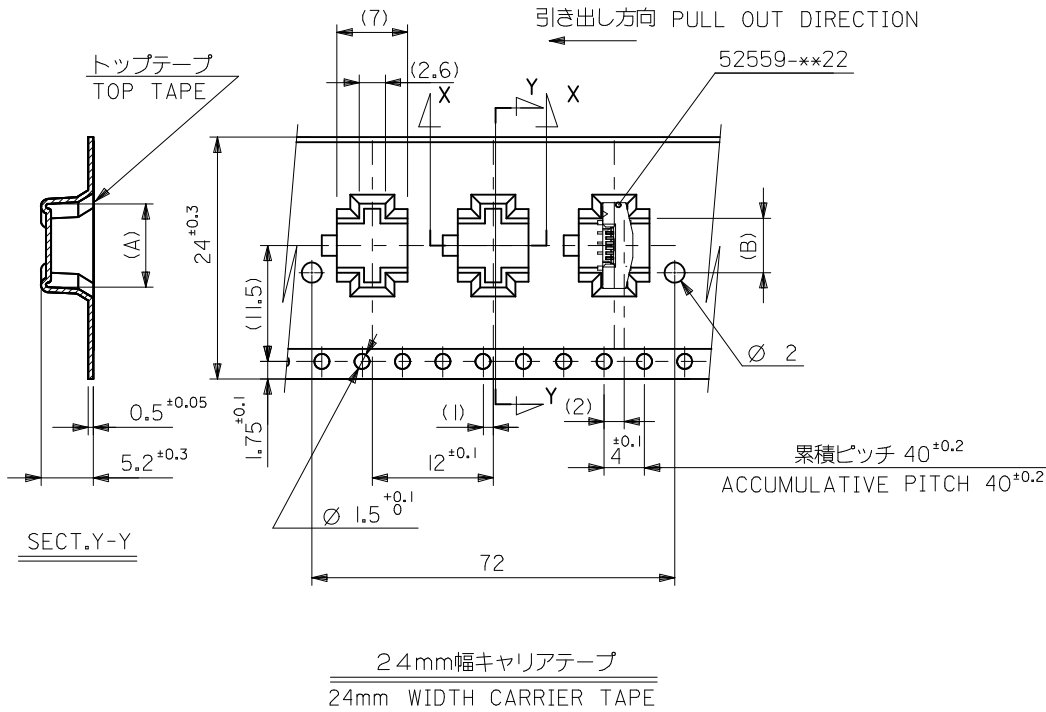
E

D

C

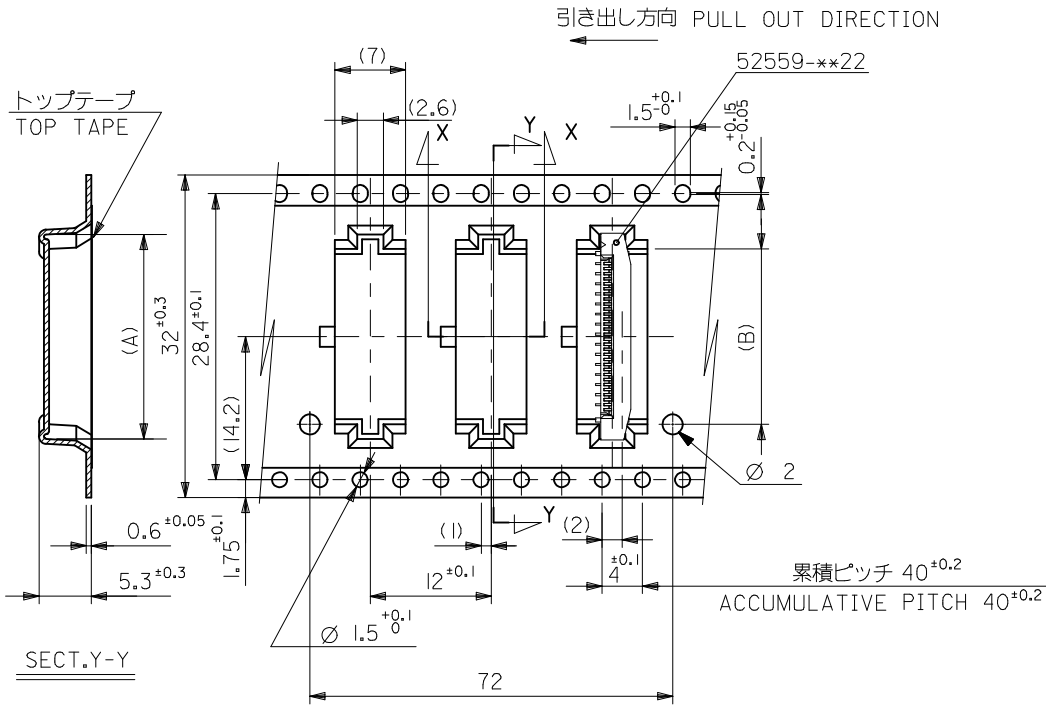
B

A



24	29.4	25.4	14.4	17.3	52559-2433	24	
			13.9	16.8	52559-2333	23	
			12.9	15.8	52559-2133	21	
			12.4	15.3	52559-2033	20	
			10.9	13.8	52559-1733	17	
			10.4	13.3	52559-1633	16	
			9.9	12.8	52559-1533	15	
			9.4	12.3	52559-1433	14	
			8.4	11.3	52559-1233	12	
			7.4	10.3	52559-1033	10	
6.9	9.8	52559-0933	9				
5.4	8.3	52559-0633	6				
キャリアテープ幅 CARRIER TAPE WIDTH		D	C	(B)	(A)	EMBOSSED PACKAGE オーダー番号 ORDER No.	極数 CKT.

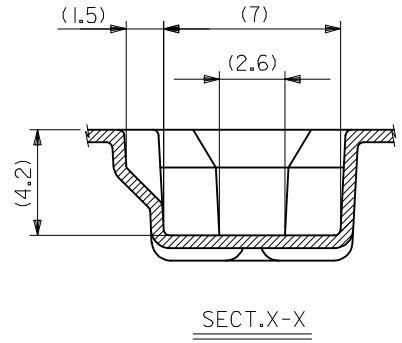
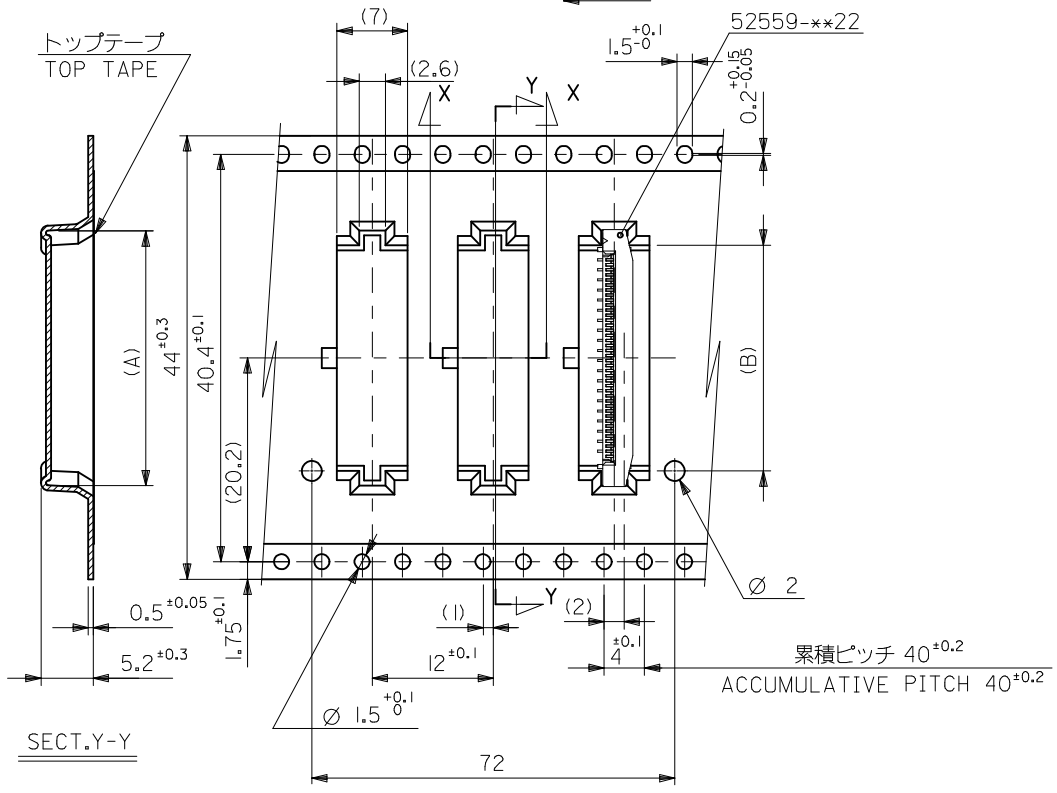
SEE SHEET 1 OF 4 EC NO: J2014-1138 DRW: AISHII 2014/01/21 CHKD: TAKAHASHI 2014/01/21 APPR: YNOGAWA 2014/01/22	DESCRIPTION REV	GENERAL TOLERANCES (UNLESS SPECIFIED)		DIMENSION STYLE MM ONLY		SCALE ---	DESIGN UNITS METRIC	THIRD ANGLE PROJECTION	
		10 UNDER	±0.2	DRAWN BY AISHII	DATE 2012/09/05	TITLE EMBOSS TAPE PACKAGED FOR 0.5MM FPC CONN ZIF S/T HOUSING ASSY			
		10 OVER 30 UNDER	±0.25	CHECKED BY KTAKAHASHI	DATE 2012/09/05				
		30 OVER	±0.3	APPROVED BY KMORIKAWA	DATE 2013/03/15				
ANGULAR ±3 °		DRAFT WHERE APPLICABLE MUST REMAIN WITHIN DIMENSIONS		MATERIAL NO. SEE CHART		DOCUMENT NO. SD-52559-058		SHEET NO. 2 OF 4	
THIS DRAWING CONTAINS INFORMATION THAT IS PROPRIETARY TO MOLEX INCORPORATED AND SHOULD NOT BE USED WITHOUT WRITTEN PERMISSION									



32	37.4	33.4	18.4	21.3	52559-3233	32
			17.4	20.3	52559-3033	30
			16.4	19.3	52559-2833	28
			15.9	18.8	52559-2733	27
			15.4	18.3	52559-2633	26
キャリアテープ幅 CARRIER TAPE WIDTH		D	C	(B)	(A)	EMBOSSED PACKAGE 極数 オーダー番号 ORDER No. CKT.

SEE SHEET 1 OF 4 EC NO: J2014-1138 DRW: AISHII 2014/01/21 CHKD: TAKAHASHI 2014/01/21 APPR: YNOGAWA 2014/01/22	DESCRIPTION	GENERAL TOLERANCES (UNLESS SPECIFIED)		DIMENSION STYLE MM ONLY		SCALE ---	DESIGN UNITS METRIC	THIRD ANGLE PROJECTION	
		10 UNDER	±0.2	DRAWN BY AISHII	DATE 2012/09/05	TITLE EMBOSS TAPE PACKAGED FOR 0.5MM FPC CONN ZIF S/T HOUSING ASSY			
		10 OVER 30 UNDER	±0.25	CHECKED BY TAKAHASHI	DATE 2012/09/05				
		30 OVER	±0.3	APPROVED BY KMORIKAWA	DATE 2013/03/15				
ANGULAR ±3 °		DRAFT WHERE APPLICABLE MUST REMAIN WITHIN DIMENSIONS		MATERIAL NO. SEE CHART		DOCUMENT NO. SD-52559-058		SHEET NO. 3 OF 4	
SIZE A3		THIS DRAWING CONTAINS INFORMATION THAT IS PROPRIETARY TO MOLEX INCORPORATED AND SHOULD NOT BE USED WITHOUT WRITTEN PERMISSION							

引き出し方向 PULL OUT DIRECTION



44mm幅キャリアテープ  
44mm WIDTH CARRIER TAPE

44	49.4	45.4	23.4	26.3	52559-4233	42
			22.4	25.3	52559-4033	40
			20.4	23.3	52559-3633	36
キャリアテープ幅 CARRIER TAPE WIDTH		D	C	(B)	(A)	EMBOSSED PACKAGE 極数 ORDER No. ORDER No. CKT.

SEE SHEET 1 OF 4 EC NO: J2014-1138 DRW: AISHII 2014/01/21 CHKD: TAKAHASHI 2014/01/21 APPR: YNOGAWA 2014/01/22	DESCRIPTION	GENERAL TOLERANCES (UNLESS SPECIFIED)		DIMENSION STYLE MM ONLY		SCALE ---	DESIGN UNITS METRIC	THIRD ANGLE PROJECTION	
		10 UNDER	±0.2	DRAWN BY AISHII	DATE 2012/09/05	TITLE EMBOSS TAPE PACKAGED FOR 0.5MM FPC CONN ZIF S/T HOUSING ASSY			
		10 OVER 30 UNDER	±0.25	CHECKED BY KTAKAHASHI	DATE 2012/09/05				
		30 OVER	±0.3	APPROVED BY KMORIKAWA	DATE 2013/03/15				
ANGULAR ±3 °		DRAFT WHERE APPLICABLE MUST REMAIN WITHIN DIMENSIONS		MATERIAL NO. SEE CHART		DOCUMENT NO. SD-52559-058		SHEET NO. 4 OF 4	
SIZE A3		THIS DRAWING CONTAINS INFORMATION THAT IS PROPRIETARY TO MOLEX INCORPORATED AND SHOULD NOT BE USED WITHOUT WRITTEN PERMISSION							