



Chipsmall Limited consists of a professional team with an average of over 10 year of expertise in the distribution of electronic components. Based in Hongkong, we have already established firm and mutual-benefit business relationships with customers from,Europe,America and south Asia,supplying obsolete and hard-to-find components to meet their specific needs.

With the principle of “Quality Parts,Customers Priority,Honest Operation,and Considerate Service”,our business mainly focus on the distribution of electronic components. Line cards we deal with include Microchip,ALPS,ROHM,Xilinx,Pulse,ON,Everlight and Freescale. Main products comprise IC,Modules,Potentiometer,IC Socket,Relay,Connector.Our parts cover such applications as commercial,industrial, and automotives areas.

We are looking forward to setting up business relationship with you and hope to provide you with the best service and solution. Let us make a better world for our industry!



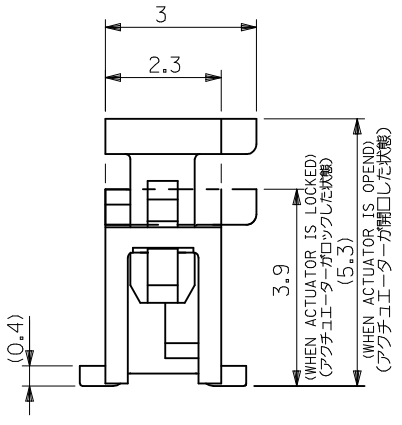
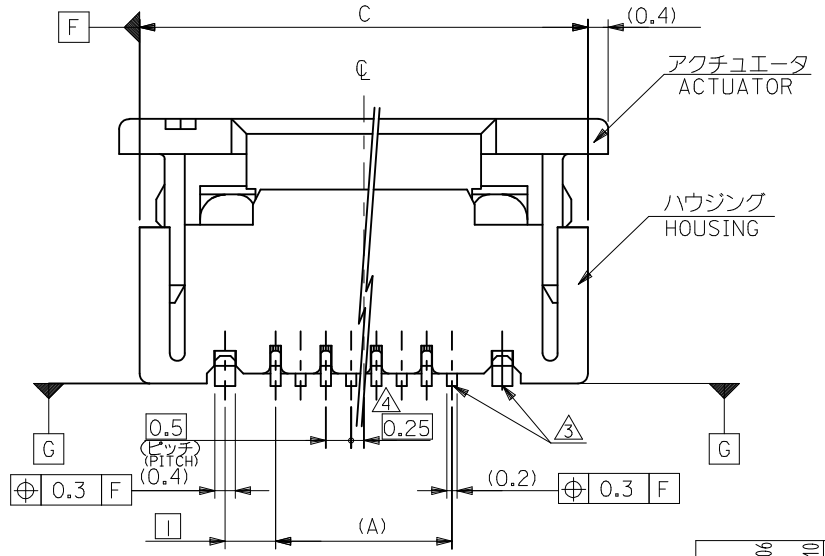
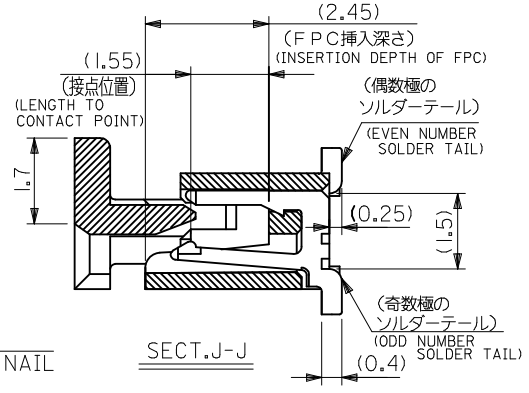
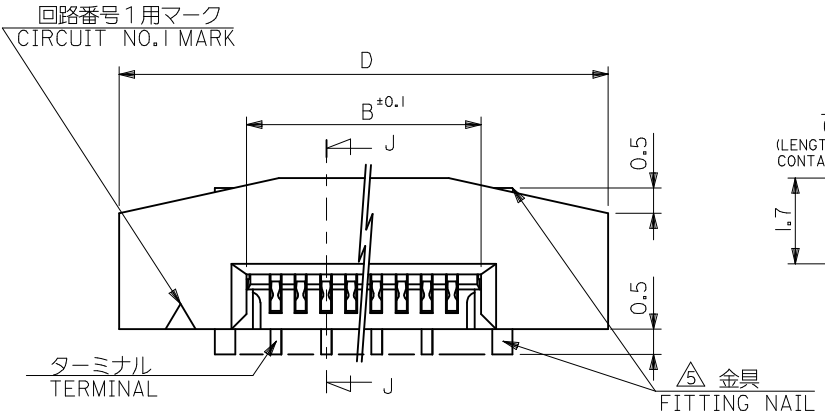
## Contact us

Tel: +86-755-8981 8866 Fax: +86-755-8427 6832

Email & Skype: info@chipsmall.com Web: www.chipsmall.com

Address: A1208, Overseas Decoration Building, #122 Zhenhua RD., Futian, Shenzhen, China

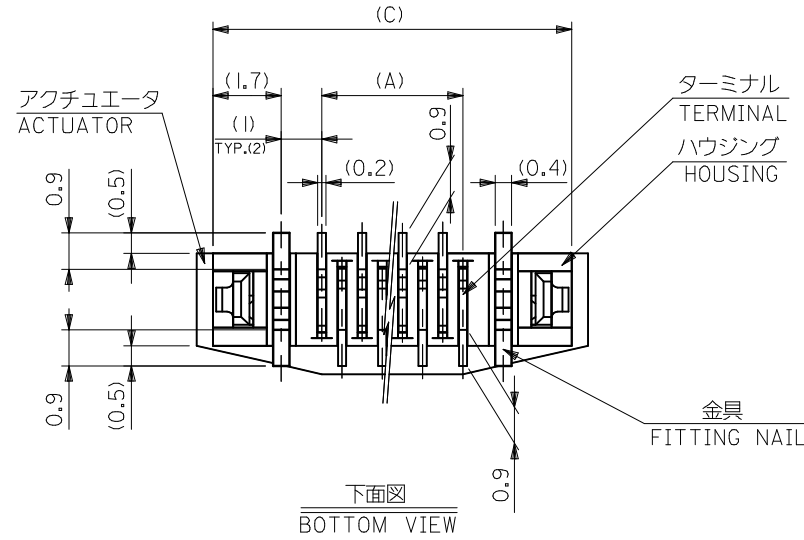




注記 NOTES

- 使用材料 : MATERIAL
  - ハウジング HOUSING : 46NYLON UL94V-0
  - アクチュエータ ACTUATOR : PPS UL94V-0
  - ターミナル TERMINAL : リン青銅 (t=0.2) PHOS-BRO
  - 接点部 CONTACT GOLD 0.1 MICROMETER MINIMUM
  - 半田付け部 SOLDER TAIL 1.0 MICROMETER MINIMUM
  - ニッケル下地 NICKEL (UNDER PLATING) 1.0 MICROMETER MINIMUM
  - 金具 FITTING NAIL : リン青銅 (t=0.4) PHOS-BRO
  - ニッケル下地 NICKEL (UNDER PLATING) 1.0 MICROMETER MINIMUM
  - 半田付け部 SOLDER TAIL 1.0 MICROMETER MINIMUM
  - ニッケル下地 NICKEL (UNDER PLATING) 1.0 MICROMETER MINIMUM
- エンボスステップ梱包時は、アクチュエータがロックした状態とする。  
 IN THE PACKAGE, ACTUATOR OF PART NO. 52559-\*\*79 SHOULD BE LOCKED.  
 △ソルダータール半田付け面のズレ量、及び金具半田付け面のズレ量は、基準面 G に対し上方向 0.05 MAX. , 下方向 0.15 MAX. とする。  
 MISALIGNMENT OF SOLDER TAILS AND FITTING NAILS FROM G UPPER DIRECTION: 0.05 MAX. , LOWER DIRECTION: 0.15 MAX.  
 △偶数種に適用。  
 APPLY FOR EVEN CIRCUIT.  
 △パターンはくり止め用金具。  
 FITTING NAIL FOR PREVENTION OF PEELING OF P.C.B. PATTERN.  
 △RO. 3は、FPCの導体部にカカらないこと。  
 RO.3 MUST NOT BE OVERLAPPED TO PATTERN OF FPC.

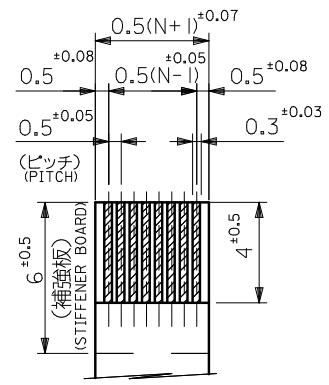
REVISED EC NO: J2016-0020 DRWN: YUHASHIGAWA 2015/07/16 CHKD: APPR: YNOGAWA 2015/07/10	GENERAL TOLERANCES (UNLESS SPECIFIED)		DIMENSION STYLE MM ONLY		SCALE ---	DESIGN UNITS METRIC	THIRD ANGLE PROJECTION
	0.25 UNDER	UNDER	±0.03	DRAWN BY MNABEI	DATE '04/07/13	TITLE 0.5 FPC CONN ASSY ZIF.	
	0.25 OVER	0.5 UNDER	±0.05	CHECKED BY KTOJO	DATE '04/07/13	-LEAD FREE-	
	0.5 OVER	1.0 UNDER	±0.1	APPROVED BY NUKITA	DATE '04/07/13	molex	
1.0 OVER	10 UNDER	±0.2	MATERIAL NO.	DOCUMENT NO.	SHEET NO.		
30 OVER	30 UNDER	±0.25	SEE SHEET 2		SD-52559-048		
ANGULAR	±3 °		THIS DRAWING CONTAINS INFORMATION THAT IS PROPRIETARY TO MOLEX INCORPORATED AND SHOULD NOT BE USED WITHOUT WRITTEN PERMISSION		1 OF 2		



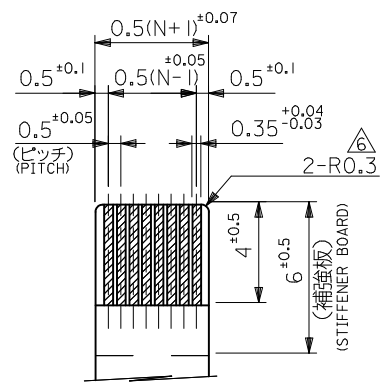
FPCについて：  
 打抜き方向は導体側から補強板側を推奨致します。  
 補強フィルム材質はポリイミドを推奨致します。  
 接着剤は熱硬化接着剤を推奨致します。

ABOUT FPC :  
 RECOMMENDED PUNCHER DIRECTION : FROM CONDUCTOR SIDE TO STIFFENER BOARD SIDE.  
 RECOMMENDED MATERIAL :  
 STIFFENER FILM : POLYIMIDE  
 BONDING AGENT : THERMOSETTING BONDING AGENT

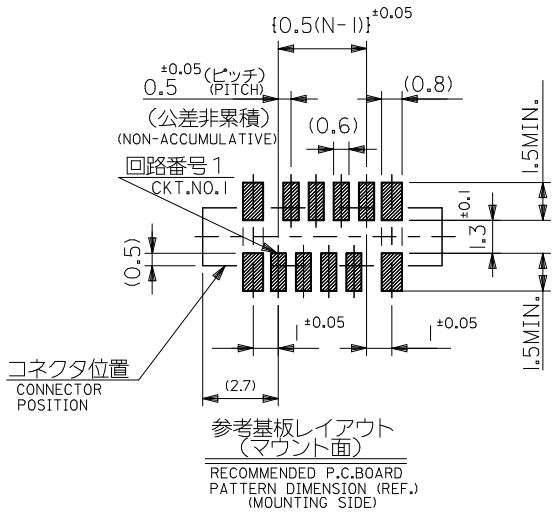
下面図  
 BOTTOM VIEW



適合F F C推奨寸法  
 APPLICABLE FFC  
 RECOMMENDED DIMENSION.  
 (仕上がり厚さ: 0.3±0.05)  
 (THICKNESS: 0.3±0.05)



適合F P C推奨寸法  
 APPLICABLE FPC  
 RECOMMENDED DIMENSION.  
 (仕上がり厚さ: 0.3±0.05)  
 (THICKNESS: 0.3±0.05)



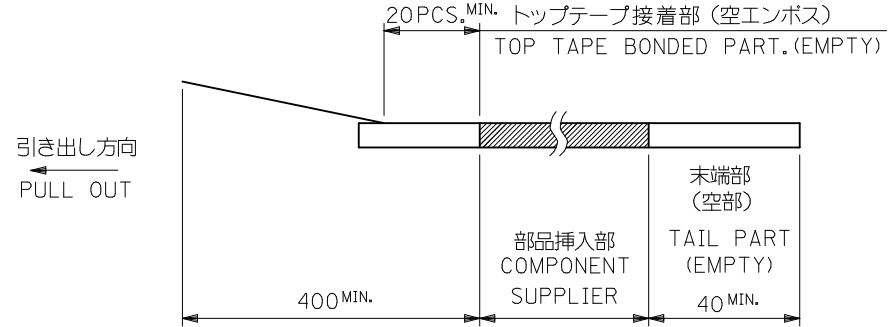
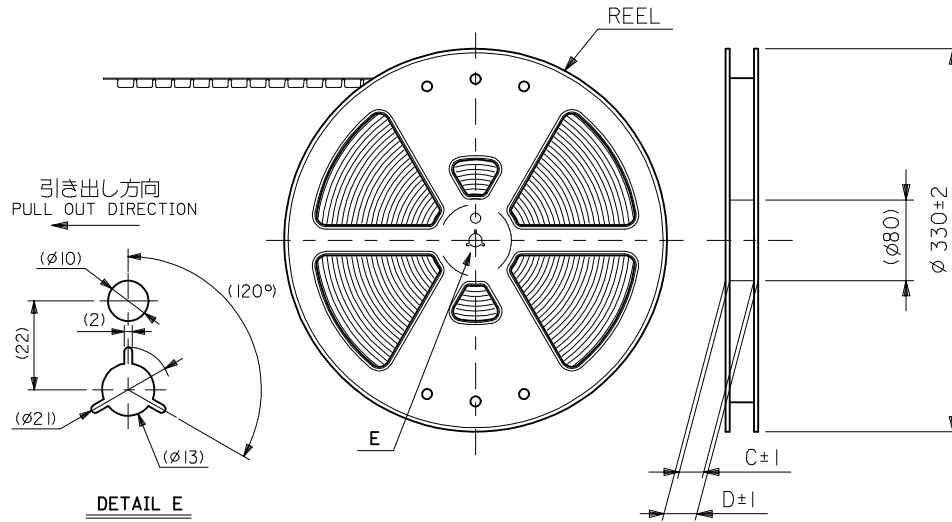
25.7	24.9	20.65	19.5	52559-4079	40
23.7	22.9	18.65	17.5	-3679	36
22.2	21.4	17.15	16.0	-3379	33
21.7	20.9	16.65	15.5	-3279	32
20.7	19.9	15.65	14.5	-3079	30
19.7	18.9	14.65	13.5	-2879	28
19.2	18.4	14.15	13.0	-2779	27
18.7	17.9	13.65	12.5	-2679	26
18.2	17.4	13.15	12.0	-2579	25
17.7	16.9	12.65	11.5	-2479	24
17.2	16.4	12.15	11.0	-2379	23
16.7	15.9	11.65	10.5	-2279	22
16.2	15.4	11.15	10.0	-2179	21
15.7	14.9	10.65	9.5	-2079	20
14.7	13.9	9.65	8.5	-1879	18
14.2	13.4	9.15	8.0	-1779	17
13.7	12.9	8.65	7.5	-1679	16
13.2	12.4	8.15	7.0	-1579	15
12.7	11.9	7.65	6.5	-1479	14
12.2	11.4	7.15	6.0	-1379	13
11.7	10.9	6.65	5.5	-1279	12
10.7	9.9	5.65	4.5	-1079	10
10.2	9.4	5.15	4.0	-0979	9
9.7	8.9	4.65	3.5	-0879	8
8.7	7.9	3.65	2.5	52559-0679	6
D	C	B	(A)	CONNECTOR SERIES No.	極数 CKT.

ORDER No. : 52559-\*\*52/-\*\*53/-\*\*54/-\*\*56

REVISED EC NO: J2016-0020 DRWN: YUHASHIGAWA 2015/07/16 CHKD: APPR: YNOGAWA 2015/07/10	GENERAL TOLERANCES (UNLESS SPECIFIED)		DIMENSION STYLE MM ONLY		SCALE ---	DESIGN UNITS METRIC	THIRD ANGLE PROJECTION
	0.25 UNDER	UNDER	±0.03	DRAWN BY MNABEI	DATE '04/07/13	TITLE 0.5 FPC CONN ASSY ZIF.	
	0.25 OVER	0.5 UNDER	±0.05	CHECKED BY KTOJO	DATE '04/07/13	-LEAD FREE-	
	0.5 OVER	1.0 UNDER	±0.1	APPROVED BY NUKITA	DATE '04/07/13	molex	
	1.0 OVER	30 UNDER	±0.2	MATERIAL NO.	DOCUMENT NO.	SHEET NO.	
30 OVER		±0.3	SEE CHART		SD-52559-048		2 OF 2
ANGULAR ±3 °			DRAFT WHERE APPLICABLE MUST REMAIN WITHIN DIMENSIONS		THIS DRAWING CONTAINS INFORMATION THAT IS PROPRIETARY TO MOLEX INCORPORATED AND SHOULD NOT BE USED WITHOUT WRITTEN PERMISSION		

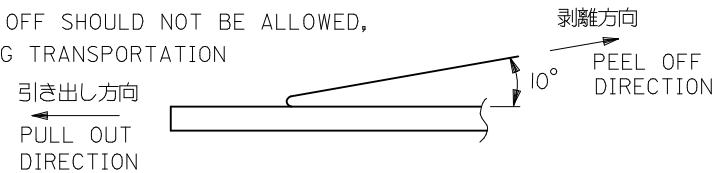
注記 NOTES

- 製品番号 52559-\*\*79 の梱包状態はアクチュエータがロックした状態とする。  
詳細寸法については図面 SD-52559-048 を参照下さい。  
IN THE PACKAGE,ACTUATOR OF PART NO.52559-\*\*79 SHOULD BE LOCKED RE DETAILED DIMENSIONS,SEE SD-52559-048
- 梱包数量：1000個/リール  
NUMBER OF CONNECTORS:1000PCS/REEL
- リードテープ長さ LEAD TAPE LENGTH



- トップテープの剥離強度：(剥離方向は下図参照)  
0.1N~1.3N {10gf~130gf} 尚、本規格値は、出荷時に適用。  
(但し、輸送時に剥離が発生しない事。)

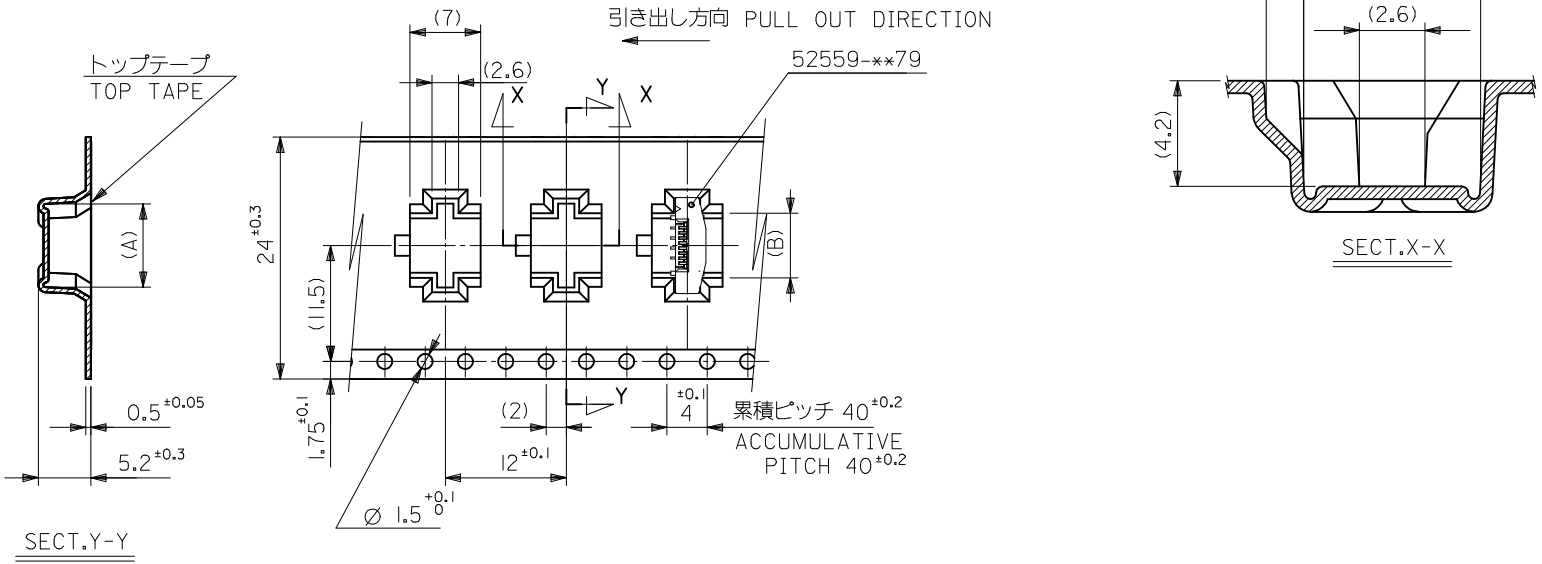
PEELING OFF FORCE OF TOP TAPE  
0.1N~1.3N{10gf~130gf}(PEELING DIRECTION AS SHOWN IN FOLLOWING FIG.)  
THIS REQUIREMENT SHOULD BE APPLIED AT SHIPMENT  
PEEL OFF SHOULD NOT BE ALLOWED,  
DURING TRANSPORTATION



5. 材料  
 キャリアテープ:ポリプロピレン (PP)  
 トップテープ:PET, PE, PEF  
 リール:ポリスチレン (PS) <リサイクル材を含む>  
 MATERIAL CARRIER TAPE:POLYPROPYLENE  
 TOP TAPE:PET,PE,PEF  
 REEL:POLYSTYRENE (PS)  
 <RECYCLE MATERIAL CONTAINED>

6. 本製品は 52559-\*\*52 のエンボステープ違い品である。  
 THIS PRODUCT IS EMBOSSED TAPE DIFFERENCE ARTICLE  
 OF 52559-\*\*52.

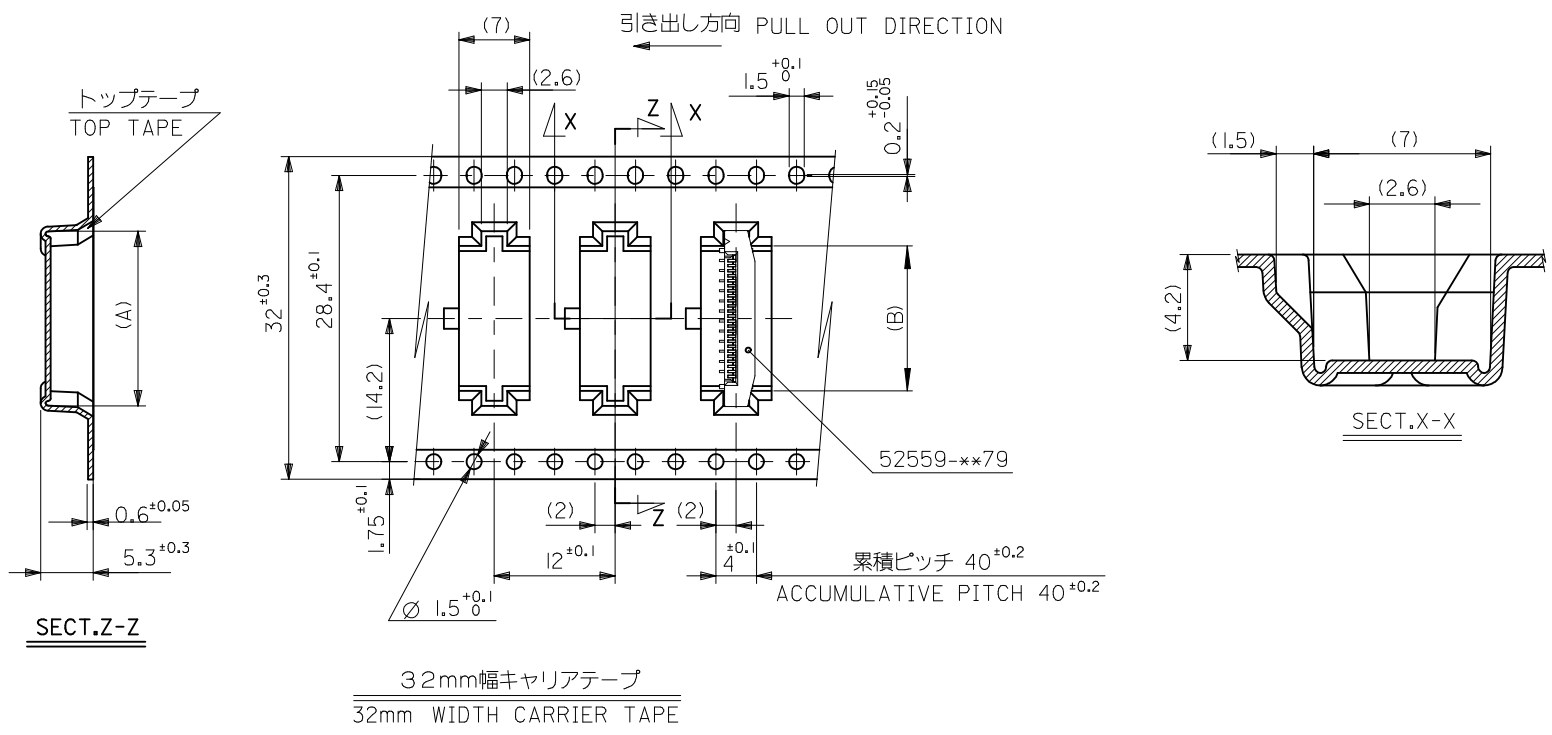
REVISED	EC NO: J2016-0020	DRWN:YUHASAGAWA 2015/07/16	CHKD: APPR:YNOGAWA 2015/07/10	GENERAL TOLERANCES (UNLESS SPECIFIED)			DIMENSION STYLE MM ONLY		SCALE ---	DESIGN UNITS METRIC	THIRD ANGLE PROJECTION
				0.25 UNDER	UNDER	±0.03	DRAWN BY MNABEI	DATE '05/04/27	TITLE	0.5 FPC CONN ASSY ZIF FOR SMT EMBSTP PKG -LEAD FREE- <b>molex</b>	DOCUMENT NO. SD-52559-050
0.25 OVER	0.5 UNDER	±0.05	CHECKED BY KTOJO	DATE '05/04/27							
				1.0 OVER	1.0 UNDER	±0.1	APPROVED BY NUKITA	DATE '05/04/27			
				10 OVER	30 UNDER	±0.25	MATERIAL NO.				
				30 OVER		±0.3	SEE CHART				
				ANGULAR	±3 °		SIZE A3		THIS DRAWING CONTAINS INFORMATION THAT IS PROPRIETARY TO MOLEX INCORPORATED AND SHOULD NOT BE USED WITHOUT WRITTEN PERMISSION		
				DRAFT WHERE APPLICABLE MUST REMAIN WITHIN DIMENSIONS							



24mm幅キャリアテープ  
24mm WIDTH CARRIER TAPE

24	29.4	25.4	13.4	16.3	52559-2253	22
			11.4	14.3	52559-1853	18
			10.4	13.3	52559-1653	16
			8.9	11.8	52559-1353	13
			6.4	9.3	52559-0853	8
キャリアテープ幅 CARRIER TAPE WIDTH	D	C	(B)	(A)	MATERIAL NO.	CIRCUIT NO.

REVISED EC NO: J2016-0020 DRWN: YUHASEGAWA 2015/07/06 CHKD: APPR: YNOGAWA 2015/07/10	GENERAL TOLERANCES (UNLESS SPECIFIED)			DIMENSION STYLE		SCALE		DESIGN UNITS		THIRD ANGLE PROJECTION	
	0.25 UNDER	UNDER	±0.03	MM ONLY		---		METRIC		☉	
	0.25 OVER	0.5 UNDER	±0.05	DRAWN BY		DATE		TITLE			
	0.5 OVER	1.0 UNDER	±0.1	MNABEI		'05/04/27		0.5 FPC CONN ASSY ZIF FOR SMT EMBSTP PKG -LEAD FREE-			
	1.0 OVER	10 UNDER	±0.2	CHECKED BY		DATE					
	30 OVER		±0.3	KTOJO		'05/04/27					
	ANGULAR	±3 °		APPROVED BY		DATE		MATERIAL NO.		DOCUMENT NO.	
	DRAFT WHERE APPLICABLE MUST REMAIN WITHIN DIMENSIONS			NUKITA		'05/04/27		SD-52559-050		SHEET NO.	
				SEE CHART						2 OF 3	
				SIZE		A3		THIS DRAWING CONTAINS INFORMATION THAT IS PROPRIETARY TO MOLEX INCORPORATED AND SHOULD NOT BE USED WITHOUT WRITTEN PERMISSION			



32mm幅キャリアテープ  
32mm WIDTH CARRIER TAPE

32	37.4	33.4	18.9	21.8	52559-3353	33
キャリアテープ幅 CARRIER TAPE WIDTH	D	C	(B)	(A)	52559-2553	25
					MATERIAL NO.	CIRCUIT NO.

REVISED EC NO: J2016-0020 DRWN: YUHASEGAWA 2015/07/06 CHKD: APPR: YNOGAWA 2015/07/10	GENERAL TOLERANCES (UNLESS SPECIFIED)		DIMENSION STYLE		SCALE	DESIGN UNITS	THIRD ANGLE PROJECTION
			MM ONLY		---	METRIC	☉
	0.25 UNDER	UNDER	±0.03	DRAWN BY	DATE	TITLE	
	0.25 OVER	0.5 UNDER	±0.05	MNABEI	'05/04/27	0.5 FPC CONN ASSY ZIF FOR SMT EMBSTP PKG -LEAD FREE-	
	0.5 OVER	1.0 UNDER	±0.1	CHECKED BY	DATE		
1.0 OVER	10 UNDER	±0.2	KTOJO	'05/04/27			
10 OVER	30 UNDER	±0.25	APPROVED BY	DATE			
30 OVER		±0.3	NUKITA	'05/04/27	DOCUMENT NO.		SHEET NO.
ANGULAR ±3 °			SEE CHART		SD-52559-050		3 OF 3
DRAFT WHERE APPLICABLE MUST REMAIN WITHIN DIMENSIONS			THIS DRAWING CONTAINS INFORMATION THAT IS PROPRIETARY TO MOLEX INCORPORATED AND SHOULD NOT BE USED WITHOUT WRITTEN PERMISSION				