



Chipsmall Limited consists of a professional team with an average of over 10 year of expertise in the distribution of electronic components. Based in Hongkong, we have already established firm and mutual-benefit business relationships with customers from,Europe,America and south Asia,supplying obsolete and hard-to-find components to meet their specific needs.

With the principle of “Quality Parts,Customers Priority,Honest Operation,and Considerate Service”,our business mainly focus on the distribution of electronic components. Line cards we deal with include Microchip,ALPS,ROHM,Xilinx,Pulse,ON,Everlight and Freescale. Main products comprise IC,Modules,Potentiometer,IC Socket,Relay,Connector.Our parts cover such applications as commercial,industrial, and automotives areas.

We are looking forward to setting up business relationship with you and hope to provide you with the best service and solution. Let us make a better world for our industry!



Contact us

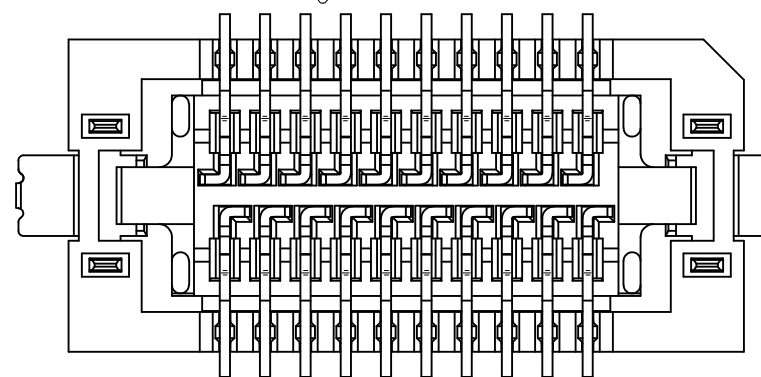
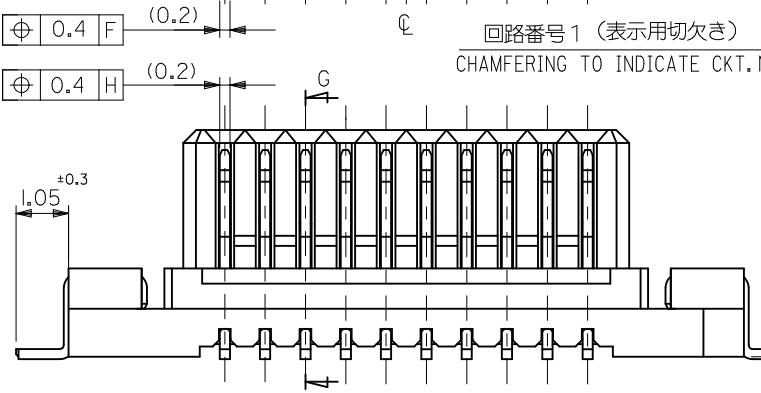
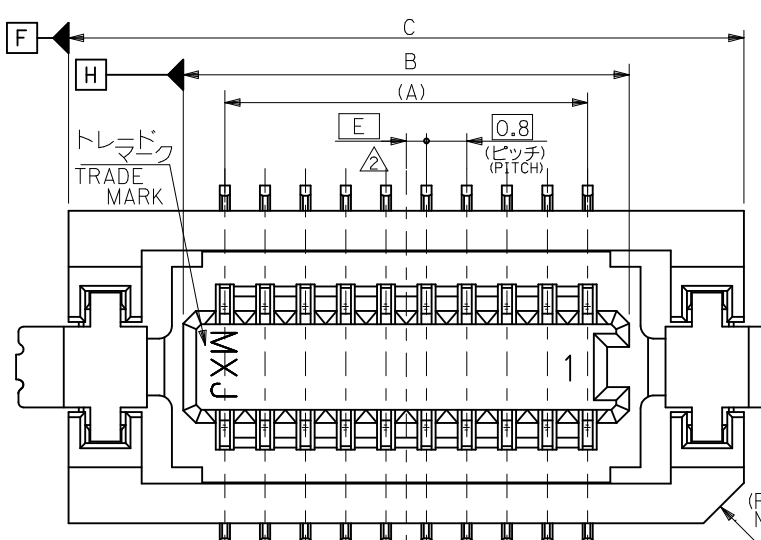
Tel: +86-755-8981 8866 Fax: +86-755-8427 6832

Email & Skype: info@chipsmall.com Web: www.chipsmall.com

Address: A1208, Overseas Decoration Building, #122 Zhenhua RD., Futian, Shenzhen, China



10 9 8 7 6 5 4 3 2 1

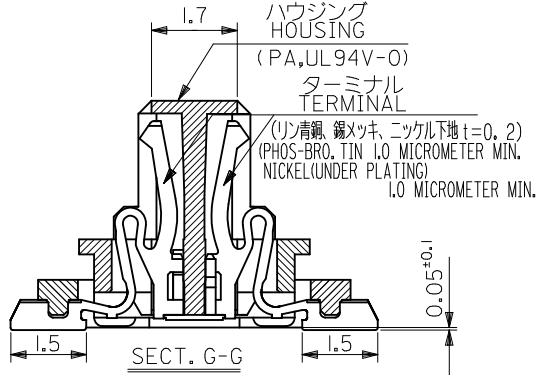
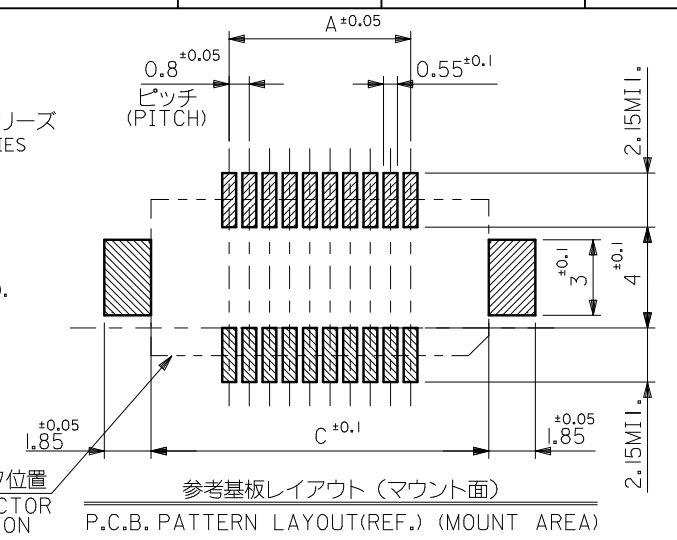
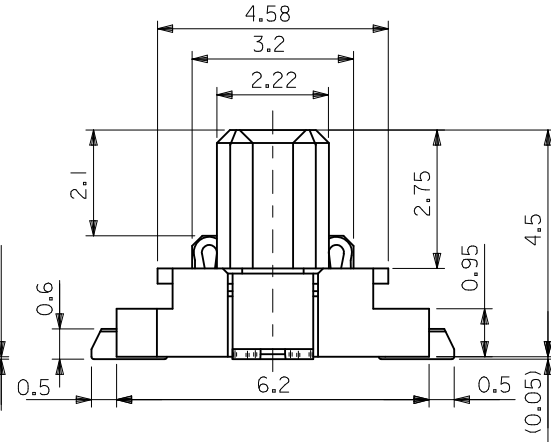


注記 NOTES

1. 嵌合相手: 53307,53309,53353,53364 シリーズ
MATES WITH : 53307,53309,53353,53364 SERIES
2. ハウジングの ϕ から隣接するターミナルの ϕ 迄の位置を示す。
SHOW POSITION FROM ϕ OF HOUSING TO ϕ OF ADJACENT TERMINALS.
3. 本製品は 52588-**10 の鉛フリー品である。
THIS PRODUCT IS LEAD FREE OF 52588-**10.
4. ELV及RoHS適合品。
ELV AND RoHS COMPLIANT.

フィッティングネイル
FITTING NAIL
(リン青銅, 錫メッキ, ニッケル下地 t=0.2)
(PHOS-BRO. TIN 1.0 MICROMETER MIN.
NICKEL(UNDER PLATING) 1.0 MICROMETER MIN.)

回路番号 1 (表示用切欠き)
CHAMFERING TO INDICATE CKT. NO.1

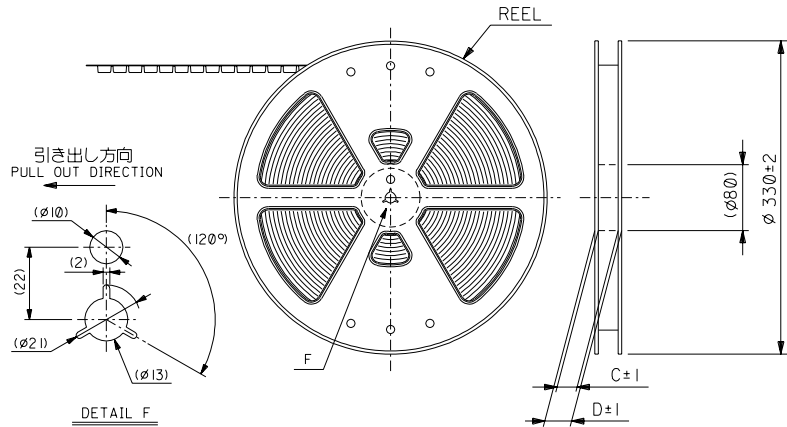


0.8	17.4	12.85	11.2	52588-3075	30
0.4	16.6	12.05	10.4	52588-2875	28
0.4	13.4	8.85	7.2	52588-2075	20
0.8	12.6	8.05	6.4	52588-1875	18
E	C	B	(A)	EMBOSSED PACKAGE	極数
				オーダー番号	ORDER NO. CKT.

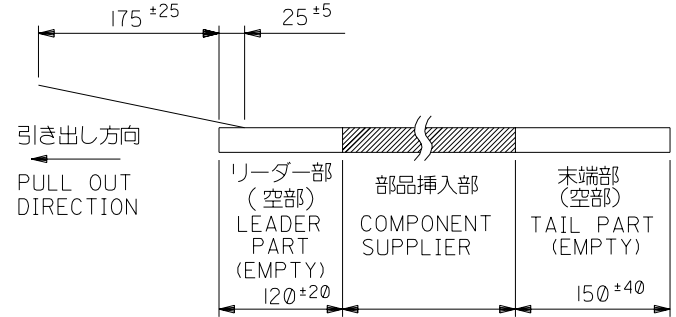
REVISED EC NO: J2009-1949 DRW: NESATO 2010/01/13 CHKD: MATSUMOTO 2010/05/17 APPR: HIRATA 2010/05/17	DESCRIPTION	GENERAL TOLERANCES (UNLESS SPECIFIED)		DIMENSION STYLE	SCALE	DESIGN UNITS	THIRD ANGLE PROJECTION
		10 UNDER	±0.20	MM ONLY	---	METRIC	
		10 OVER 30 UNDER	±0.25	DRAWN BY DATE	TITLE		
		30 OVER	±0.30	H. KAWABATA 2004/04/05	0.8 FLOATING B/B CONN. HOUSING ASSY SMT. -LEAD FREE-		
A	REV	ANGULAR ±3 °		CHECKED BY DATE	MOLEX INCORPORATED		
		DRAFT WHERE APPLICABLE MUST REMAIN WITHIN DIMENSIONS		K. TOJO 2004/04/05	SD-52588-029		
		APPROVED BY DATE		DOCUMENT NO.		SHEET NO.	
				M. SASAO 2004/04/05			1 OF 1
				MATERIAL NO.	THIS DRAWING CONTAINS INFORMATION THAT IS PROPRIETARY TO MOLEX INCORPORATED AND SHOULD NOT BE USED WITHOUT WRITTEN PERMISSION		
				SIZE			
				A3			

NOTES

1. 梱包数量：1000個/リール NUMBER OF CONNECTORS:1000PCS/REEL
2. リードテープ長さ LEAD TAPE LENGTH



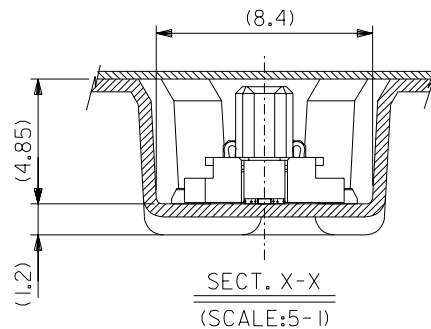
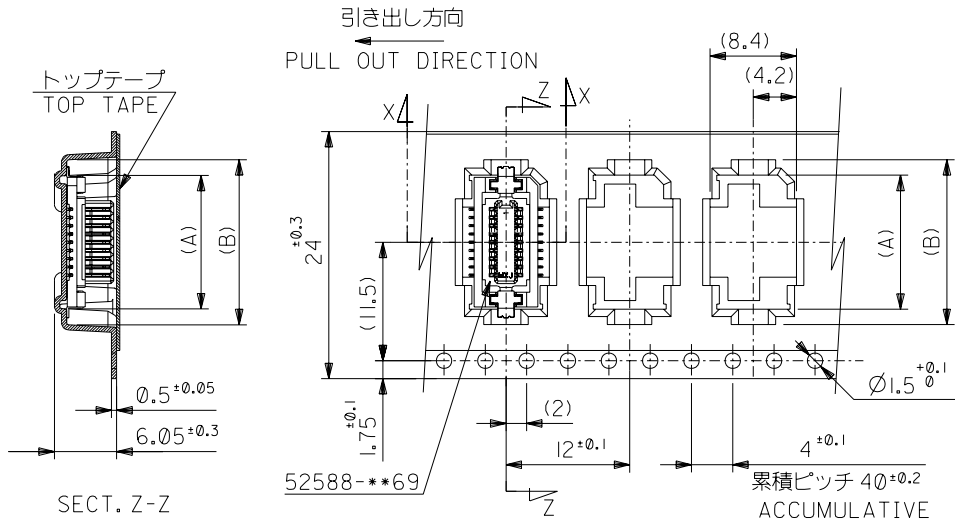
トップテープ TOP TAPE
リーダー部 LEADER PART トップテープ TOP TAPE
未接着部 NON-BONDED PART



3. トップテープの剥離強度：(剥離方向は下図参照)
0.1~1.3N {10~130gf}
(但し、輸送時に剥離が発生しない事。)
PEELING OFF FORCE OF TOP TAPE
0.1~1.3N {10~130gf} (PEELING DIRECTION AS SHOWN IN FOLLOWING FIG.)
THIS REQUIREMENT SHOULD BE APPLIED AT SHIPMENT
PEEL OFF SHOULD NOT BE ALLOWED,
DURING TRANSPORTATION



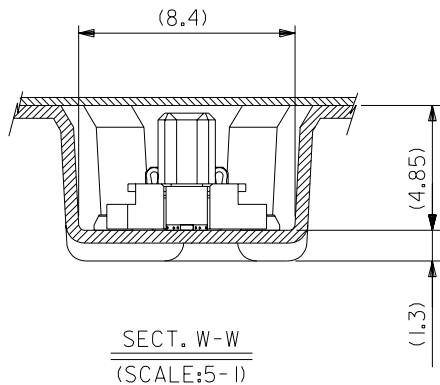
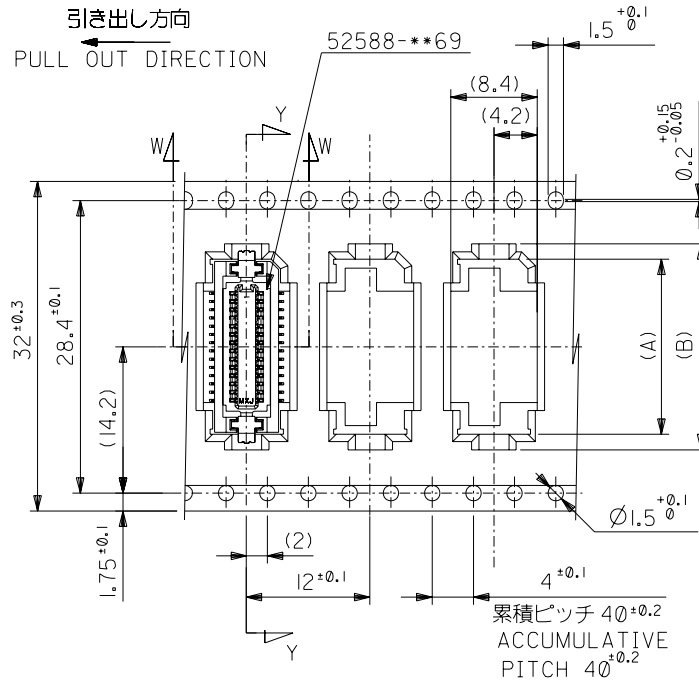
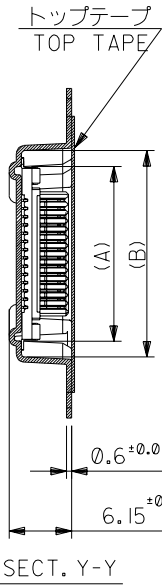
4. 材料
キャリアテープ：ポリプロピレン (PP) MATERIAL CARRIER TAPE:POLYPROPYLENE
トップテープ：PET, PE, PEF TOP TAPE:PET,PE,PEF
リール：ポリスチレン (PS) REEL:POLYSTYREN(PS)
<リサイクル材を含む> <RECYCLE MATERIAL CONTAINED>
5. 本製品は 52588-*90 の鉛フリー品である。
THIS PRODUCT IS LEAD FREE OF 52588-**90.



	24	29.4	25.4	16.8 16.0	13.8 13.0	52588-2075 52588-1875	20 18
52588-**75 MODEL NO.	キャリアテープ幅 CARRIER TAPE WIDTH	D	C	(B)	(A)	MATERIAL NO.	極数 CIRCUIT

角度 ANGLE	±3°
30以上 OVER	±0.5
10以上 30未満 UNDER	±0.25
10未満 UNDER	±0.2
一般公差 GENERAL TOLERANCES	

材料 MATERIAL	注記参照 SEE NOTES	MOLEX MOLEX-JAPAN CO.,LTD. 日本モレックス株式会社
仕上げ FINISH	—	REVISE ONLY ON CAD SYSTEM
適用電線範囲 WIRE RANGE	—	TITLE 名称 0.8 FLOATING B-To-B Hsg Assy SMT Embsp Pkg
被覆外径 INS. RANGE	—	-LEAD FREE-
DRAWN BY '04/04/05 H.KAWABATA	CHK'D BY '04/04/05 K.TOJO	DWG. NO. (SHEET 1 OF 2) REV SD-52588-030 0
新規作成 REPLASD	DR. 日付 CHK. DATE	APP'D BY '04/04/05 M.SASAO
記号 LTR	変更内容 REVISION RECORD	尺度 SCALE



32mm幅キャリアテープ
32mm WIDTH CARRIER TAPE

52588-***75	キャリアテープ幅	32	37.4	33.4	20.85	17.8	52588-3075	30
MODEL NO.	CARRIER TAPE WIDTH	D	C	(B)	(A)	MATERIAL NO.	極数	CIRCUIT
							28	

角度 ANGLE		±3°	材料 MATERIAL		SHEET 1 OF 2 参照			
30°以上 OVER		±0.5	仕上げ FINISH		REFER TO SHEET 1 OF 2			
10°以上 OVER		±0.25	適用電線範囲 WIRE RANGE		REVISE ONLY ON CAD SYSTEM			
30°未満 UNDER		±0.25	被覆外径 INS. RANGE		TITLE 名称			
10°未満 UNDER		±0.2	DRAWN BY '04/04/05		0.8 FLOATING B-To-B Hsg			
一般公差 GENERAL TOLERANCES		記号 LTR	APPRO'D BY '04/04/05		Assy SMT Embstp Pkg			
		新規作成 (2004-3551)	M.SASAO		-LEAD FREE-			
		変更内容	日付 DATE		DWG. NO. (SHEET 2 OF 2) REV			
			M.SASAO		SD-52588-030 0			