



Chipsmall Limited consists of a professional team with an average of over 10 year of expertise in the distribution of electronic components. Based in Hongkong, we have already established firm and mutual-benefit business relationships with customers from,Europe,America and south Asia,supplying obsolete and hard-to-find components to meet their specific needs.

With the principle of "Quality Parts,Customers Priority,Honest Operation,and Considerate Service",our business mainly focus on the distribution of electronic components. Line cards we deal with include Microchip,ALPS,ROHM,Xilinx,Pulse,ON,Everlight and Freescale. Main products comprise IC,Modules,Potentiometer,IC Socket,Relay,Connector.Our parts cover such applications as commercial,industrial, and automotives areas.

We are looking forward to setting up business relationship with you and hope to provide you with the best service and solution. Let us make a better world for our industry!



Contact us

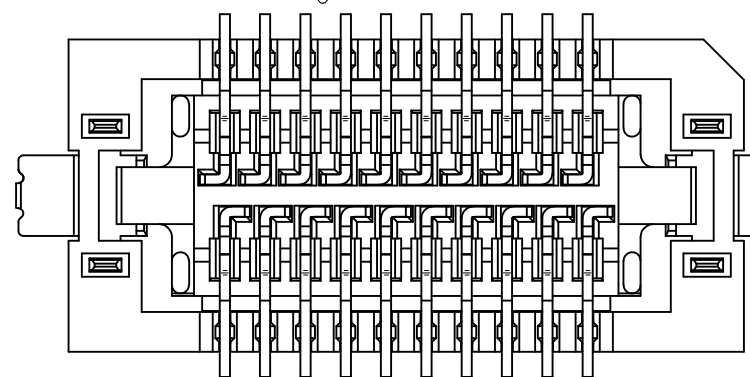
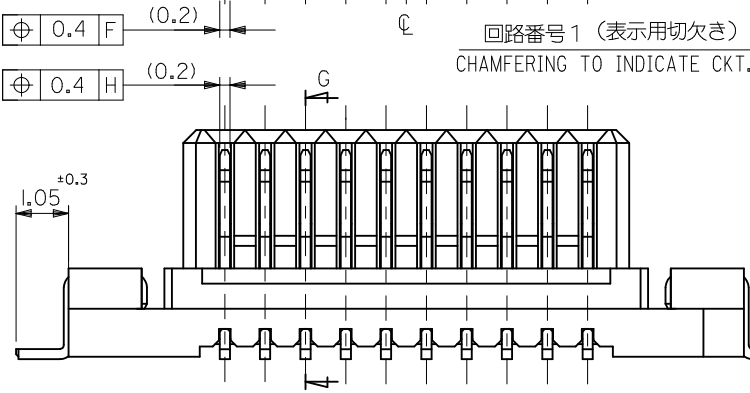
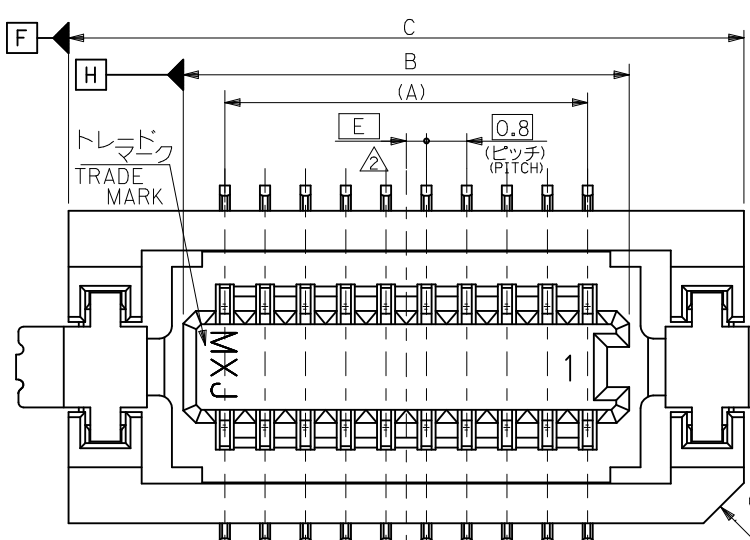
Tel: +86-755-8981 8866 Fax: +86-755-8427 6832

Email & Skype: info@chipsmall.com Web: www.chipsmall.com

Address: A1208, Overseas Decoration Building, #122 Zhenhua RD., Futian, Shenzhen, China



10 9 8 7 6 5 4 3 2 1

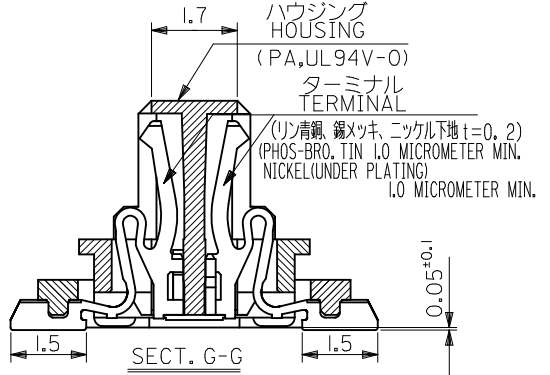
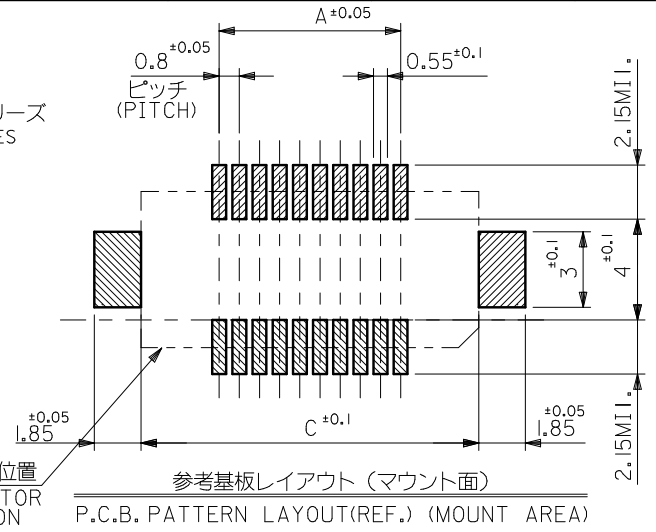
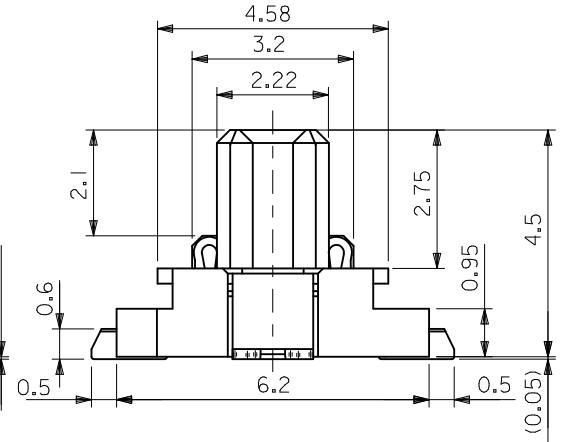


注記 NOTES

1. 嵌合相手: 53307,53309,53353,53364 シリーズ
MATES WITH : 53307,53309,53353,53364 SERIES
2. ハウジングの ϕ から隣接するターミナルの ϕ 迄の位置を示す。
SHOW POSITION FROM ϕ OF HOUSING TO ϕ OF ADJACENT TERMINALS.
3. 本製品は 52588-**10 の鉛フリー品である。
THIS PRODUCT IS LEAD FREE OF 52588-**10.
4. ELV及RoHS適合品。
ELV AND RoHS COMPLIANT.

フィッティングネイル
FITTING NAIL
(リン青銅、錫メッキ、ニッケル下地 t=0.2)
(PHOS-BRO. TIN 1.0 MICROMETER MIN.
NICKEL(UNDER PLATING) 1.0 MICROMETER MIN.)

回路番号 1 (表示用切欠き)
CHAMFERING TO INDICATE CKT. NO.1



0.8	17.4	12.85	11.2	52588-3075	30
0.4	16.6	12.05	10.4	52588-2875	28
0.4	13.4	8.85	7.2	52588-2075	20
0.8	12.6	8.05	6.4	52588-1875	18
E	C	B	(A)	EMBOSSED PACKAGE	極数
				オーダー番号	ORDER NO. CKT.

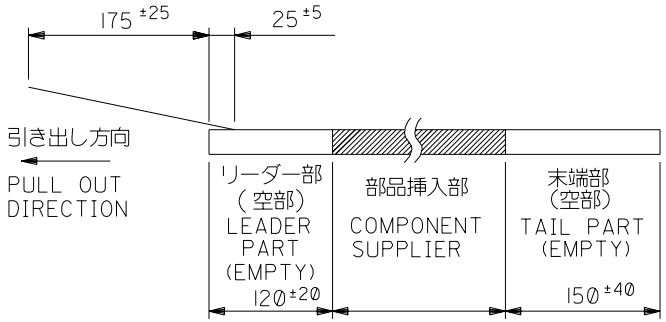
REVISED EC NO: J2009-1949 DRW: NESATO 2010/01/13 CHKD: MATSUMOTO 2010/05/17 APPR: HIRATA 2010/05/17	DESCRIPTION	GENERAL TOLERANCES (UNLESS SPECIFIED)		DIMENSION STYLE		SCALE	DESIGN UNITS	THIRD ANGLE PROJECTION		
				MM ONLY		---	METRIC			
		10 UNDER	±0.20	DRAWN BY	DATE	TITLE				
		10 OVER 30 UNDER	±0.25	H. KAWABATA	2004/04/05	0.8 FLOATING B/B CONN. HOUSING ASSY SMT. -LEAD FREE-				
30 OVER	±0.30	CHECKED BY	DATE	MOLEX INCORPORATED						
ANGULAR ±3 °		APPROVED BY	DATE						MATERIAL NO.	
DRAFT WHERE APPLICABLE MUST REMAIN WITHIN DIMENSIONS		M. SASAO	2004/04/05	SEE TABLE		SD-52588-029		1 OF 1		
		THIS DRAWING CONTAINS INFORMATION THAT IS PROPRIETARY TO MOLEX INCORPORATED AND SHOULD NOT BE USED WITHOUT WRITTEN PERMISSION								

DIMENSIONS IN METRIC DO NOT SCALE DRAWING

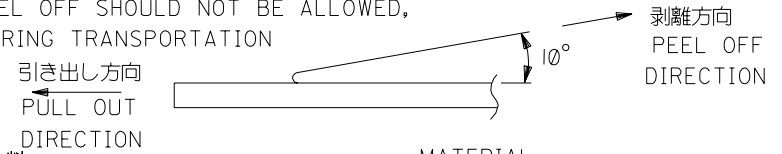
NOTES

1. 梱包数量：1000個/リール NUMBER OF CONNECTORS:1000PCS/REEL
2. リードテープ長さ LEAD TAPE LENGTH

トップテープ TOP TAPE
 リーダー部 LEADER PART トップテープ 未接着部 TOP TAPE NON-BONDED PART



3. トップテープの剥離強度：(剥離方向は下図参照)
 0.1~1.3N {10~130gf}
 (但し、輸送時に剥離が発生しない事。)
 PEELING OFF FORCE OF TOP TAPE
 0.1~1.3N {10~130gf} (PEELING DIRECTION AS SHOWN IN FOLLOWING FIG.)
 THIS REQUIREMENT SHOULD BE APPLIED AT SHIPMENT
 PEEL OFF SHOULD NOT BE ALLOWED,
 DURING TRANSPORTATION



4. 材料 MATERIAL
 キャリアテープ：ポリプロピレン (PP) CARRIER TAPE:POLYPROPYLENE
 トップテープ：PET, PE, PEF TOP TAPE:PET,PE,PEF
 リール：ポリスチレン (PS) REEL:POLYSTYREN(PS)
 <リサイクル材を含む> <RECYCLE MATERIAL CONTAINED>
5. 本製品は 52588-*90 の鉛フリー品である。
 THIS PRODUCT IS LEAD FREE OF 52588-*90.

8

7

6

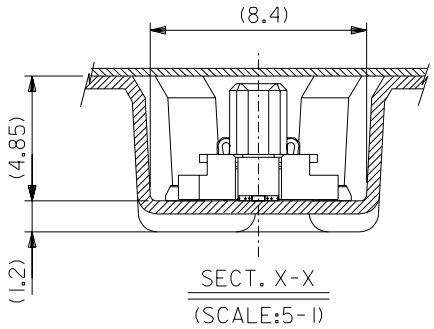
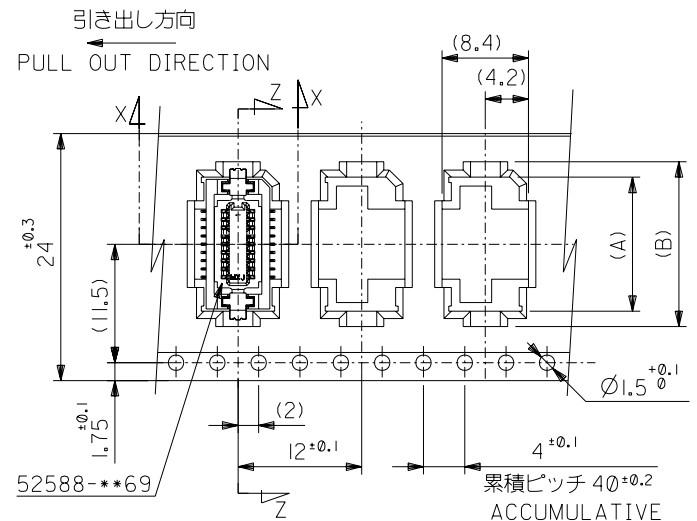
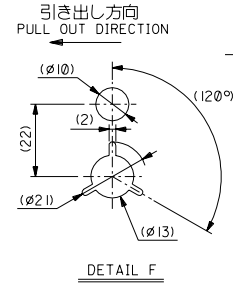
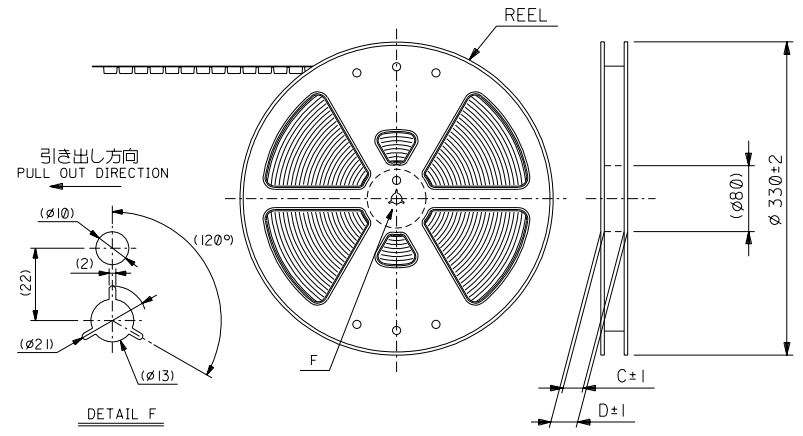
5

4

3

2

1



24mm幅キャリアテープ
 24mm WIDTH CARRIER TAPE

角度 ANGLE	±3°
30以上 OVER	±0.5
10以上 30未満 UNDER	±0.25
10未満 UNDER	±0.2
一般公差 GENERAL TOLERANCES	

52588-*75	キャリアテープ幅	24	29.4	25.4	16.8	13.8	52588-2075	20
MODEL NO.	CARRIER TAPE WIDTH	D	C	(B)	(A)	(A)	52588-1875	18
							MATERIAL NO.	極数 CIRCUIT

材料 MATERIAL	注記参照 SEE NOTES	MATERIAL	MOLEX-JAPAN CO.,LTD. 日本モレックス株式会社
仕上げ FINISH	—	REVISION	REVISE ONLY ON CAD SYSTEM
適用電線範囲 WIRE RANGE	—	TITLE 名称	0.8 FLOATING B-To-B Hsg Assy SMT Embsp Pkg
被覆外径 INS. RANGE	—	特性	-LEAD FREE-
DRAWN BY '04/04/05 H.KAWABATA	CHK'D BY '04/04/05 K.TOJO	DWG. NO. (SHEET 1 OF 2)	REV 0
APP'D BY '04/04/05 M.SASAO	SCALE	SD-52588-030	

8

7

6

5

4

3

2

1

DWG. NO.
SD-52588-030

トップテープ
TOP TAPE

SECT. Y-Y

32mm幅キャリアテープ
32mm WIDTH CARRIER TAPE

SECT. W-W
(SCALE:5-1)

	32	37.4	33.4	20.85	17.8	52588-3075	30
				20.05	17.0	52588-2875	28
52588-***75 MODEL NO.	キャリアテープ幅 CARRIER TAPE WIDTH	D	C	(B)	(A)	MATERIAL NO.	極数 CIRCUIT

材料 MATERIAL		SHEET 1 OF 2 参照 REFER TO SHEET 1 OF 2		molex MOLEX-JAPAN CO.,LTD. 日本モレックス株式会社	
仕上げ FINISH		//		REVISE ONLY ON CAD SYSTEM	
適用電線範囲 WIRE RANGE		//		TITLE 名称 0.8 FLOATING B-To-B Hsg Assy SMT Embstp Pkg	
被覆外径 INS. RANGE		//		-LEAD FREE-	
DRAWN BY '04/04/05 H.KAWABATA		CHK'D BY '04/04/05 K.TOJO		DWG. NO. (SHEET 2 OF 2) REV	
APP'D BY '04/04/05 M.SASAO		尺 SCALE		SD-52588-030 0	

角度 ANGLE	±3°				
30以上 OVER	±0.5				
10以上 OVER	±0.25				
30未満 UNDER	±0.2				
10未満 UNDER	±0.2				
一般公差 GENERAL TOLERANCES		記号 LTR	変更内容 REVISION RECORD	DR. CHK.	日付 DATE
		①	新規作成 RELEASED (2004-3551)	Y.K.	'04/04/05

THIS DRAWING CONTAINS INFORMATION THAT IS PROPRIETARY TO MOLEX(JAPAN) AND SHOULD NOT BE USED WITHOUT WRITTEN PERMISSION
本図面は日本モレックス(株)の所有する情報を含むもので当社の許可なく複製を禁止する。 EN-0 IC(032)MXJ-32

8

7

6

5

4

3

2

1

SD-52588-030.S02