



Chipsmall Limited consists of a professional team with an average of over 10 year of expertise in the distribution of electronic components. Based in Hongkong, we have already established firm and mutual-benefit business relationships with customers from,Europe,America and south Asia,supplying obsolete and hard-to-find components to meet their specific needs.

With the principle of "Quality Parts,Customers Priority,Honest Operation,and Considerate Service",our business mainly focus on the distribution of electronic components. Line cards we deal with include Microchip,ALPS,ROHM,Xilinx,Pulse,ON,Everlight and Freescale. Main products comprise IC,Modules,Potentiometer,IC Socket,Relay,Connector.Our parts cover such applications as commercial,industrial, and automotives areas.

We are looking forward to setting up business relationship with you and hope to provide you with the best service and solution. Let us make a better world for our industry!



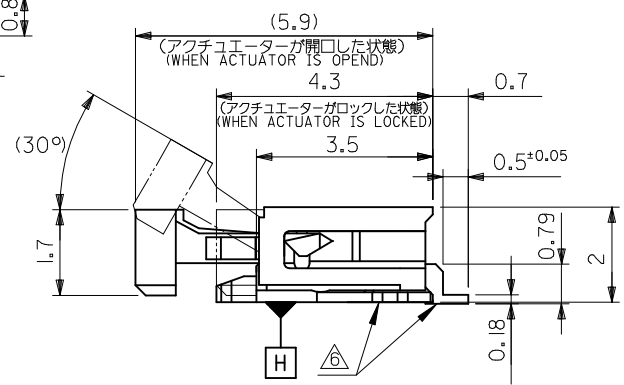
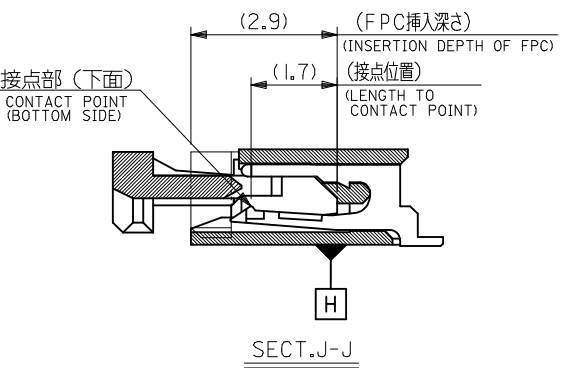
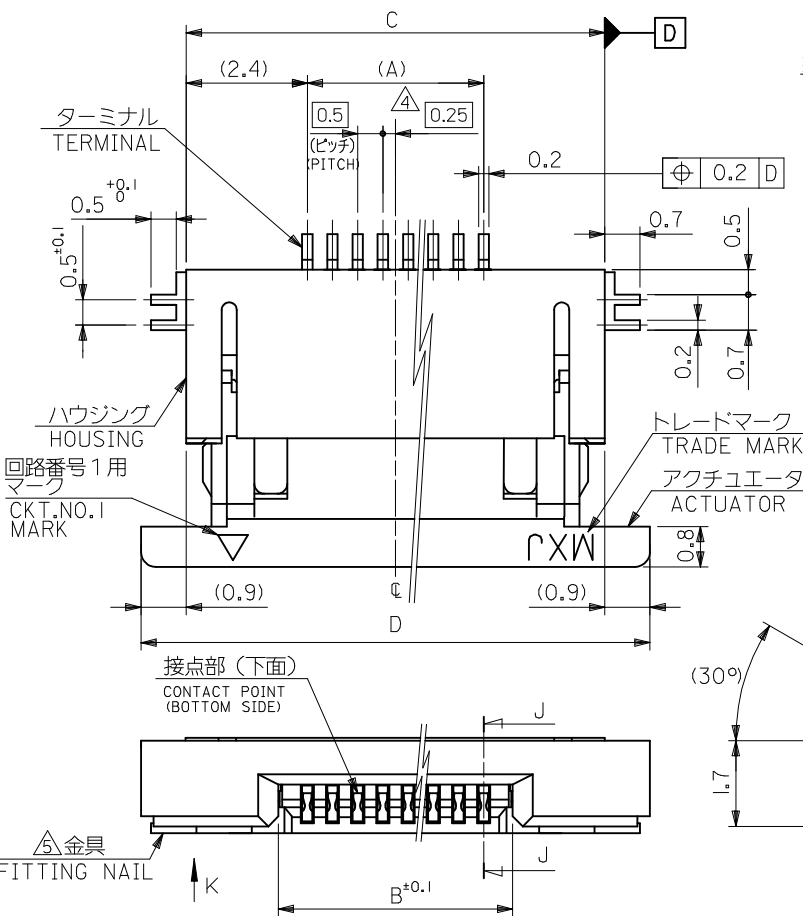
Contact us

Tel: +86-755-8981 8866 Fax: +86-755-8427 6832

Email & Skype: info@chipsmall.com Web: www.chipsmall.com

Address: A1208, Overseas Decoration Building, #122 Zhenhua RD., Futian, Shenzhen, China





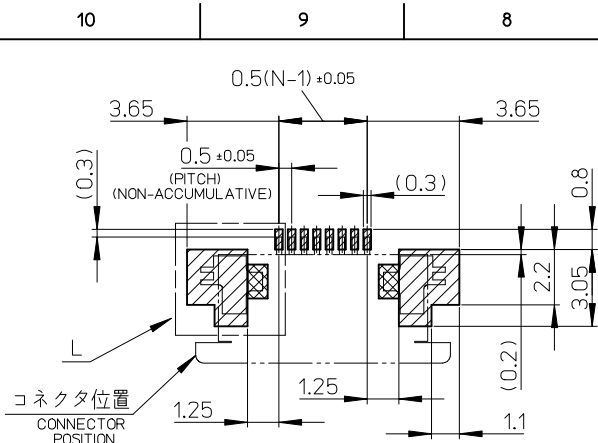
注記(NOTES)

- 材質 MATERIAL
 - ハウジング: ポリアミド (PA) , ガラス充填, 白色, UL94V-0
 - HOUSING : POLYAMIDE , GLASS FILLED, WHITE, UL94V-0
 - アクチュエータ: ポリフェニレンサルファイド (PPS) , ガラス充填, 茶色, UL94V-0
 - ACTUATOR : POLYPHENYLENE SULFIDE , GLASS FILLED, BROWN, UL94V-0
 - ターミナル: リン青銅 (t = 0.2)
 - TERMINAL : PHOSPHOR BRONZE (t = 0.2)
 - 金具: リン青銅 (t = 0.2)
 - NAIL : PHOSPHOR BRONZE (t = 0.2)
 - メッキ仕様 PLATING
 - ターミナル
TERMINAL
 - 鍍銀: スマスマメッキ (1.0µm以上)
 - TIN SILVER BISMUTH PLATING (1.0MICROMETER MINIMUM)
 - 下地メッキ: ニッケルメッキ (1.0µm以上)
 - UNDER PLATING : NICKEL PLATING (1.0MICROMETER MINIMUM)
 - 金具
NAIL
 - 鍍銀メッキ (1.0µm以上)
 - TIN PLATING (1.0MICROMETER MINIMUM)
 - 下地メッキ: ニッケルメッキ (1.0µm以上)
 - UNDER PLATING : NICKEL PLATING (1.0MICROMETER MINIMUM)
- △ R0.3はFPCの導体部にかからないこと
R0.3 MUST NOT BE OVERLAPED TO PATTERN OF FPC.
- △ 偶数極に適用
APPLY FOR EVEN CIRCUIT.
- △ パターン剥離止め金具
FITTING NAIL FOR PREVENTION OF PEELING OF P.W.B. PATTERN.
- △ ソルダータール半田付け面のスレ量, 及び金具半田付け面のスレ量は,
基準面Hに対して上方向に0.1MAXIMUM, 下方向に0.15MAXIMUMとする。
MISALIGNMENT OF SOLDER TAILS AND FITTING NAILS FROM DATUM-H
UPPER DIRECTION: 0.1MAXIMUM
LOWER DIRECTION: 0.15MAXIMUM
- エンボスマーク埋め時は, アクチュエータがロックした状態になります。
IN THE PACKAGE, ACTUATOR OF PART
NO.52746-***22 SHOULD BE LOCKED.
 - ELV及びRoHS適合品
ELV AND RoHS COMPLIANT

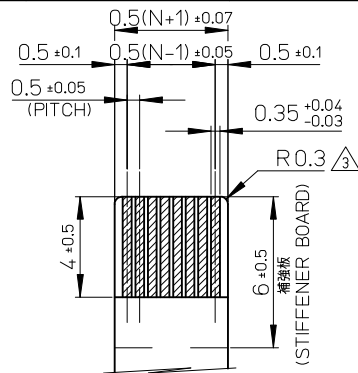
| | | | | | |
|------|------|-------|-----|-------------------------------------|------------|
| 16.1 | 14.3 | 10.65 | 9.5 | 52746-2033 | 20 |
| 15.6 | 13.8 | 10.15 | 9 | 52746-1933 | 19 |
| 15.1 | 13.3 | 9.65 | 8.5 | 52746-1833 | 18 |
| 14.6 | 12.8 | 9.15 | 8 | 52746-1733 | 17 |
| 14.1 | 12.3 | 8.65 | 7.5 | 52746-1633 | 16 |
| 13.6 | 11.8 | 8.15 | 7 | 52746-1533 | 15 |
| 13.1 | 11.3 | 7.65 | 6.5 | 52746-1433 | 14 |
| 12.6 | 10.8 | 7.15 | 6 | 52746-1333 | 13 |
| 12.1 | 10.3 | 6.65 | 5.5 | 52746-1233 | 12 |
| 11.6 | 9.8 | 6.15 | 5 | 52746-1133 | 11 |
| 11.1 | 9.3 | 5.65 | 4.5 | 52746-1033 | 10 |
| 10.6 | 8.8 | 5.15 | 4 | 52746-0933 | 9 |
| 10.1 | 8.3 | 4.65 | 3.5 | 52746-0833 | 8 |
| 9.6 | 7.8 | 4.15 | 3 | 52746-0733 | 7 |
| 9.1 | 7.3 | 3.65 | 2.5 | 52746-0633 | 6 |
| 8.1 | 6.3 | 2.65 | 1.5 | 52746-0433 | 4 |
| D | C | B | (A) | EMBOSSED PACKAGE ORDER No. オート番号 | 極数 CKT. |

CONNECTOR SERIES NO. : 52746-***22

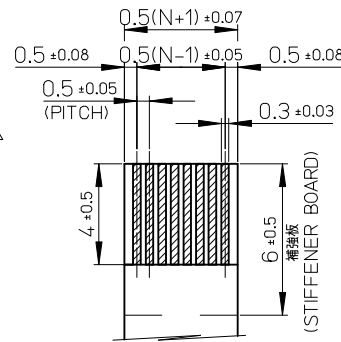
| | | | | | | | | | | |
|---|-------------|--|--|-----------------------|--|--|--|--|--|------------------------|
| REVISED EC NO. : J2014-0096 DRW: AISHI 2013/07/18 CHKD: TAKAHASHI 2013/07/18 APPR: YNOGAWA 2013/08/19 | DESCRIPTION | GENERAL TOLERANCES (UNLESS SPECIFIED) | | DIMENSION STYLE | | SCALE | | DESIGN UNITS | | THIRD ANGLE PROJECTION |
| | | | | MM ONLY | | 10:1 | | METRIC | | |
| | | 10 UNDER ±0.2 | | DRAWN BY KNAGUMO | | DATE 2012/08/31 | | TITLE | | |
| | | 10 OVER 30 UNDER ±0.25 | | CHECKED BY KTAKAHASHI | | DATE 2012/09/06 | | 0.5MM FPC CONN ZIF R/A HOUSING ASSY (BOTTOM CONTACT) | | |
| 30 OVER ±0.3 | | APPROVED BY KMORIKAWA | | DATE 2013/04/16 | | MATERIAL NO. | | DOCUMENT NO. | | SHEET NO. 1 OF 2 |
| ANGULAR ±3 ° | | DRAFT WHERE APPLICABLE MUST REMAIN WITHIN DIMENSIONS | | SEE CHART | | SD-52746-031 | | | | |
| | | | | SIZE A3 | | THIS DRAWING CONTAINS INFORMATION THAT IS PROPRIETARY TO MOLEX INCORPORATED AND SHOULD NOT BE USED WITHOUT WRITTEN PERMISSION | | | | |



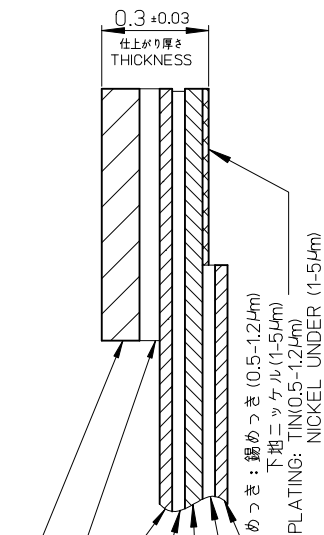
推奨基板レイアウト (マウント面)
 RECOMMENDED P.C. BOARD PATTERN DIMENSION (REF.) (MOUNTING SIDE)
 マスク厚 : 100 μm
 マスク開口率 : 100%
 SCREEN THICKNESS : 100 μm
 SCREEN OPEN RATIO : 100%



適合半田めっきFPC推奨寸法
 APPLICABLE FPC OF TIN-LEAD PLATING RECOMMENDED DIMENSION
 仕上がり厚さ : 0.3±0.03
 THICKNESS : 0.3±0.03/-0.03



適合半田めっきFFC推奨寸法
 APPLICABLE FFC OF TIN-LEAD PLATING RECOMMENDED DIMENSION
 仕上がり厚さ : 0.3±0.03
 THICKNESS : 0.3±0.03/-0.03

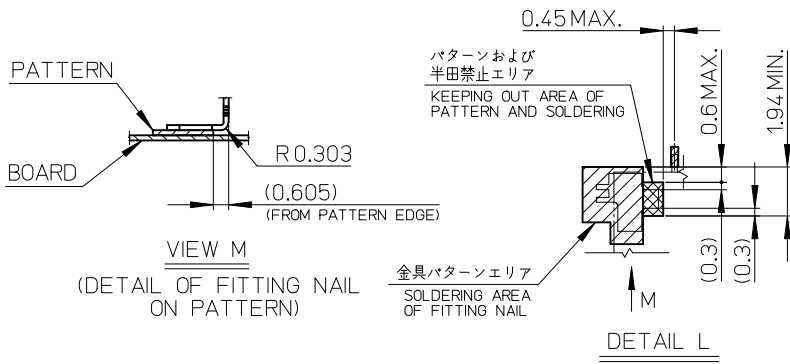


補強板 : ポリイミド REINFORCE BOARD: POLYIMIDE
 熱硬化接着剤 THERMOSETTING ADHESIVE
 ベースフィルム : ポリイミド (25 μm) BASE FILM: POLYIMIDE (25 μm)
 熱硬化接着剤 THERMOSETTING ADHESIVE
 導体部 : 銅箔 (35 μm) COPPER FOIL (35 μm)
 熱硬化接着剤 THERMOSETTING ADHESIVE
 カバーレイ : ポリイミド (25 μm) COVER FILM: POLYIMIDE (25 μm)

FPC構成推奨仕様
 STRUCTURE OF FPC

FPC/FFCについて ABOUT FPC/FFC
 打ち抜き方向は導体側から補強板側を推奨します。
 導体部については軟箔銅35 μmまたは50 μmを推奨します。
 RECOMMENDED PUNCHING DIRECTION:
 FROM CONDUCTOR SIDE TO STIFFENER SIDE
 RECOMMENDED CONDUCTOR SPEC:
 SOFT COPPER FOIL
 RECOMMENDED CONDUCTOR THICKNESS:
 35 MICROMETER OR 50 MICROMETER

FPCについて ABOUT FPC
 補強フィルム材質はポリイミドを推奨します。ベースフィルムは25 μmを推奨します。
 接着剤は熱硬化接着剤を推奨します。
 尚、接着剤の接点部への付着は導通不良の原因になりますので、染み出しが無い様、お願い致します。
 RECOMMENDED STIFFENER MATERIAL:
 POLYIMIDE
 RECOMMENDED BASE FILM THICKNESS:
 25 MICROMETER
 RECOMMENDED ADHESIVE:
 THERMOSETTING ADHESIVE
 NOTE: PLEASE PUT APPROPRIATE AMOUNT OF ADHESIVE ON ADHEREND BECAUSE THERE IS A POSSIBILITY THAT THE EXTRA ADHESIVE CAUSES THE DEFECT IN ELECTRICAL CONTINUITY.



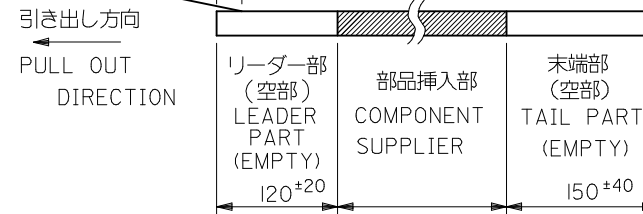
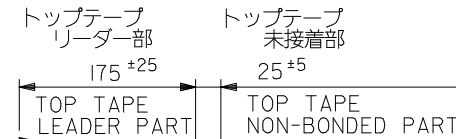
| | | | | | | |
|---|---------------------------------------|--------------|---|------------------------------|---|------------------------|
| SEE SHEET 1 OF 2 EC NO: J2014-0096 DRWN: AISHI 2013/07/18 CHKD: KAKAHASHI 2013/07/18 APPR: YNOGAWA 2013/08/19 | GENERAL TOLERANCES (UNLESS SPECIFIED) | | DIMENSION STYLE MM ONLY | SCALE 5:1 | DESIGN UNITS METRIC | THIRD ANGLE PROJECTION |
| | 10 UNDER | ± --- | DRAWN BY KNAGUMO | DATE 2012/08/31 | TITLE 0.5MM FPC CONN ZIF R/A HOUSING ASSY (BOTTOM CONTACT) | |
| | 10 OVER 30 UNDER | ± --- | CHECKED BY KTAKAHASHI | DATE 2012/09/06 | molex | |
| | 30 OVER | ± --- | APPROVED BY KMORIKAWA | DATE 2013/04/16 | | |
| ANGULAR | ± --- ° | MATERIAL NO. | SEE CHART | DOCUMENT NO. SD-52746-031 | SHEET NO. 2 OF 2 | |
| DRAFT WHERE APPLICABLE MUST REMAIN WITHIN DIMENSIONS | | SIZE A3 | THIS DRAWING CONTAINS INFORMATION THAT IS PROPRIETARY TO MOLEX INCORPORATED AND SHOULD NOT BE USED WITHOUT WRITTEN PERMISSION | | | |

注記 NOTES

1. 製品番号52746-**22の梱包状態はアクチュエータがロックした状態とする。
 詳細寸法については図面SD-52746-031を参照下さい。
 IN THE PACKAGE, ACTUATOR OF PART NO.52746-**22 SHOULD BE LOCKED
 DETAIL DIMENSIONS, SEE SD-52746-031

2. 梱包数量：1000個/リール
 NUMBER OF CONNECTORS:1000PCS/REEL

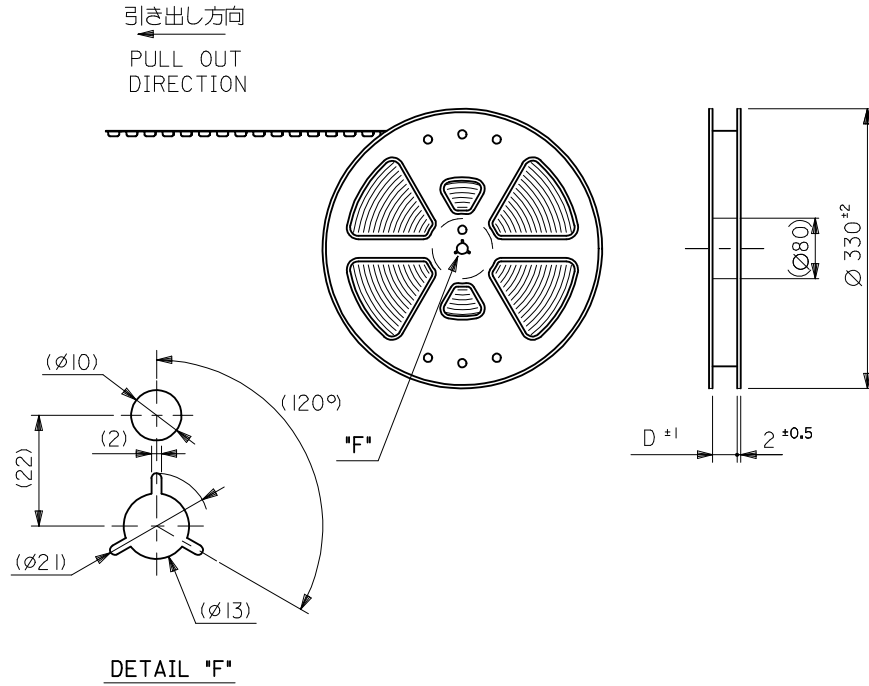
3. リードテープ長さ LEAD TAPE LENGTH



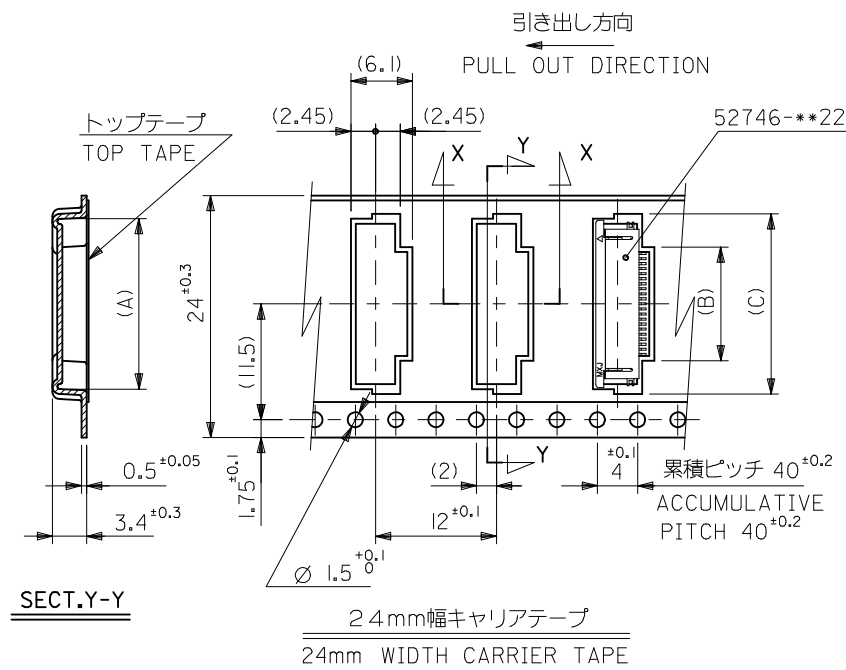
4. トップテープの剥離強度については、IEC60286-3に準拠
 TOP TAPE PEEL FORCE IS DEFINED BY IEC60286-3.

5. 材料 キャリアテープ：ポリプロピレン (PP)
 トップテープ：PET, PE, PEF
 リール：ポリスチレン (PS) <リサイクル材を含む>
 MATERIAL CARRIER TAPE:POLYPROPYLENE
 TOP TAPE:PET,PE,PEF
 REEL:POLYSTYREN(PS)
 <RECYCLE MATERIAL CONTAINED>

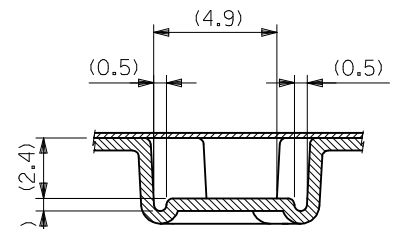
6. ELV及びRoHS適合品
 ELV AND RoHS COMPLIANT



| | | | | | | | |
|--|---|---------------------------|--|---------------------|---|------------------------|------------------------|
| RELEASED EC NO: J2013-1133 DRWN:KNAGUMO 2012/09/05 CHKD:KTAKAHASHI 2012/09/06 APP:KMORIKAWA 2013/04/16 | GENERAL TOLERANCES (UNLESS SPECIFIED) | | DIMENSION STYLE MM ONLY | | SCALE --- | DESIGN UNITS METRIC | THIRD ANGLE PROJECTION |
| | 10 UNDER | ± --- | DRAWN BY KNAGUMO | DATE 2012/09/05 | TITLE EMBOSS TAPE PACKAGED FOR 0.5MM FPC CONN ZIF R/A HOUSING ASSY molex | | |
| | 10 OVER 30 UNDER | ± --- | CHECKED BY KTAKAHASHI | DATE 2012/09/06 | | | |
| | 30 OVER | ± --- | APPROVED BY KMORIKAWA | DATE 2013/04/16 | | | |
| 0 | ANGULAR ± --- ° DRAFT WHERE APPLICABLE MUST REMAIN WITHIN DIMENSIONS | MATERIAL NO. SEE CHART | DOCUMENT NO. SD-52746-032 | SHEET NO. 1 OF 3 | | | |
| | | SIZE A3 | THIS DRAWING CONTAINS INFORMATION THAT IS PROPRIETARY TO MOLEX INCORPORATED AND SHOULD NOT BE USED WITHOUT WRITTEN PERMISSION | | | | |



SECT.Y-Y

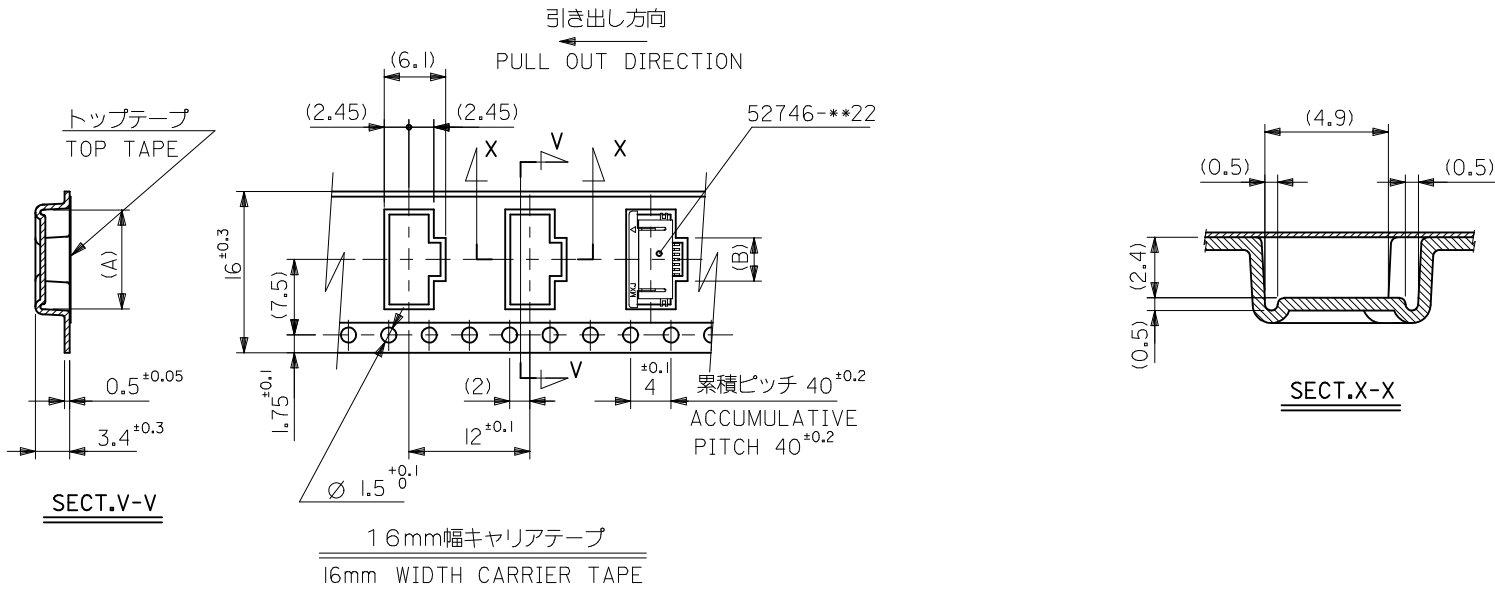


SECT.X-X

| | | | | | | |
|--------------------------------|------|------|------------|------|--------------|---------------|
| 24 | 25.5 | 17.4 | 10.8 | 16.4 | 52746-2033 | 20 |
| | | 16.9 | 10.3 | 15.9 | -1933 | 19 |
| | | 16.4 | 9.8 | 15.4 | -1833 | 18 |
| | | 15.9 | 9.3 | 14.9 | -1733 | 17 |
| | | 15.4 | 8.8 | 14.4 | -1633 | 16 |
| | | 14.9 | 8.3 | 13.9 | -1533 | 15 |
| | | 14.4 | 7.8 | 13.4 | -1433 | 14 |
| | | 13.9 | 7.3 | 12.9 | -1333 | 13 |
| | | 13.4 | 6.8 | 12.4 | -1233 | 12 |
| | | 12.9 | 6.3 | 11.9 | -1133 | 11 |
| | | 12.4 | 5.8 | 11.4 | -1033 | 10 |
| | | 11.9 | 5.3 | 10.9 | -0933 | 9 |
| 11.4 | 4.8 | 10.4 | -0833 | 8 | | |
| 10.9 | 4.3 | 9.9 | -0733 | 7 | | |
| 10.4 | 3.8 | 9.4 | 52746-0633 | 6 | | |
| キャリアテープ幅 CARRIER TAPE WIDTH | D | (C) | (B) | (A) | MATERIAL NO. | 極数 CIRCUIT |

| | | |
|--|--|---------|
| SEE SHEET 1 OF 3 EC NO: J2013-1133 DRWN:KNAGUMO 2012/09/05 CHKD:KAKAHASHI 2012/09/06 APPR:KMORIKAWA 2013/04/16 | GENERAL TOLERANCES (UNLESS SPECIFIED) | |
| | 10 UNDER | ± --- |
| | 10 OVER 30 UNDER | ± --- |
| | 30 OVER | ± --- |
| | ANGULAR | ± --- ° |
| 0 | DRAFT WHERE APPLICABLE MUST REMAIN WITHIN DIMENSIONS | |

| | | | | |
|--|--------------------|---|------------------------|---------------------------|
| DIMENSION STYLE MM ONLY | | SCALE --- | DESIGN UNITS METRIC | THIRD ANGLE PROJECTION |
| DRAWN BY KNAGUMO | DATE 2012/09/05 | TITLE EMBOSS TAPE PACKAGED FOR 0.5MM FPC CONN ZIF R/A HOUSING ASSY | | |
| CHECKED BY KAKAHASHI | DATE 2012/09/06 | | | |
| APPROVED BY KMORIKAWA | DATE 2013/04/16 | | | |
| MATERIAL NO. | SEE CHART | DOCUMENT NO. SD-52746-032 | SHEET NO. 2 OF 3 | |
| THIS DRAWING CONTAINS INFORMATION THAT IS PROPRIETARY TO MOLEX INCORPORATED AND SHOULD NOT BE USED WITHOUT WRITTEN PERMISSION | | | | |



| | | | | | |
|--------------------------------|------|-----|-----|--------------|---------------|
| 16 | 17.5 | 2.8 | 8.4 | 52746-0433 | 4 |
| キャリアテープ幅 CARRIER TAPE WIDTH | D | (B) | (A) | MATERIAL NO. | 極数 CIRCUIT |

| | | | | | | | | |
|---|-------------|--|-------|-----------------|------------|--|------------------------|--|
| SEE SHEET 1 OF 3 EC NO.: J2013-1133 DRW:KNAGUMO 2012/09/05 CHKD:KTAKAHASHI 2012/09/06 APPR:KMORIKAWA 2013/04/16 | DESCRIPTION | GENERAL TOLERANCES (UNLESS SPECIFIED) | | DIMENSION STYLE | SCALE | DESIGN UNITS | THIRD ANGLE PROJECTION | |
| | | 10 UNDER | ±--- | MM ONLY | --- | METRIC | | |
| | | 10 OVER 30 UNDER | ±--- | DRAWN BY | DATE | TITLE | | |
| | | 30 OVER | ±--- | KNAGUMO | 2012/09/05 | EMBOSS TAPE PACKAGED FOR 0.5MM FPC CONN ZIF R/A HOUSING ASSY | | |
| | | ANGULAR | ±---° | CHECKED BY | DATE | molex | | |
| | | DRAFT WHERE APPLICABLE MUST REMAIN WITHIN DIMENSIONS | | KTAKAHASHI | 2012/09/06 | DOCUMENT NO. | SHEET NO. | |
| | | | | APPROVED BY | DATE | SD-52746-032 | 3 OF 3 | |
| | | | | KMORIKAWA | 2013/04/16 | INCORPORATED AND SHOULD NOT BE USED WITHOUT WRITTEN PERMISSION | | |
| | | | | MATERIAL NO. | | | | |
| | | | | SIZE | | | | |
| | | | | A3 | | | | |