



Chipsmall Limited consists of a professional team with an average of over 10 year of expertise in the distribution of electronic components. Based in Hongkong, we have already established firm and mutual-benefit business relationships with customers from,Europe,America and south Asia,supplying obsolete and hard-to-find components to meet their specific needs.

With the principle of “Quality Parts,Customers Priority,Honest Operation,and Considerate Service”,our business mainly focus on the distribution of electronic components. Line cards we deal with include Microchip,ALPS,ROHM,Xilinx,Pulse,ON,Everlight and Freescale. Main products comprise IC,Modules,Potentiometer,IC Socket,Relay,Connector.Our parts cover such applications as commercial,industrial, and automotives areas.

We are looking forward to setting up business relationship with you and hope to provide you with the best service and solution. Let us make a better world for our industry!



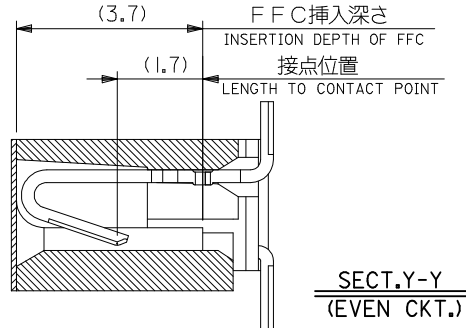
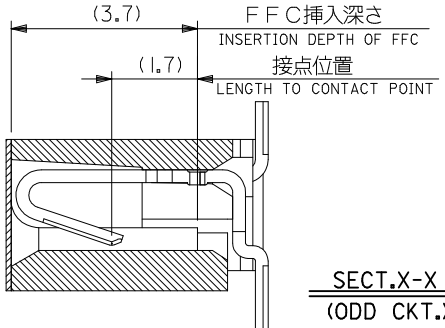
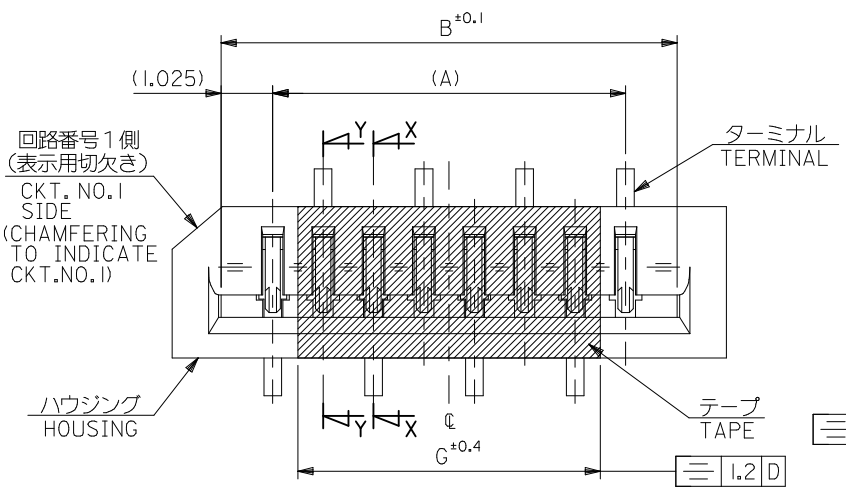
Contact us

Tel: +86-755-8981 8866 Fax: +86-755-8427 6832

Email & Skype: info@chipsmall.com Web: www.chipsmall.com

Address: A1208, Overseas Decoration Building, #122 Zhenhua RD., Futian, Shenzhen, China





33	31.05	29	52808-3029	30	
32	30.05	28	-2929	29	
31	29.05	27	-2829	28	
30	28.05	26	-2729	27	
29	27.05	25	-2629	26	
28	26.05	24	-2529	25	
27	25.05	23	-2429	24	
26	24.05	22	-2329	23	
25	23.05	21	-2229	22	
24	22.05	20	-2129	21	
23	21.05	19	-2029	20	
22	20.05	18	-1929	19	
21	19.05	17	-1829	18	
20	18.05	16	-1729	17	
19	17.05	15	-1629	16	
18	16.05	14	-1529	15	
17	15.05	13	-1429	14	
16	14.05	12	-1329	13	
15	13.05	11	-1229	12	
14	12.05	10	-1129	11	
13	11.05	9	-1029	10	
12	10.05	8	-0929	9	
11	9.05	7	-0829	8	
9	7.05	5	-0629	6	
8	6.05	4	-0529	5	
7	5.05	3	52808-0429	4	
6					
4					
G	C	B	A	MATERIAL NO.	極数 CIRCUIT

注記 NOTES:

1. 使用材料 MATERIAL
 ハウジング: PPS, UL94V-0 HOUSING :PPS, UL94V-0
 ターミナル: リン青銅 TERMINAL :PHOSPHOR BRONZE
 メッキ: ニッケル下地 鍍ビスマスマッキ PLATING :TIN-BISMUTH OVER NICKEL PLATING
 テープ: ポリイミド (t=50µm) TAPE :PI (t=50µm)

△基準面 [E] からのソルダーテールの半田付け面のスレ量は、
 上方向に0.1MAX. 下方向0.15MAX. とする。
 MISALIGNMENT OF SOLDER TAIL FROM [E]
 : UPPER DIRECTION 0.1MAX. , LOWER DIRECTION 0.15 MAX.

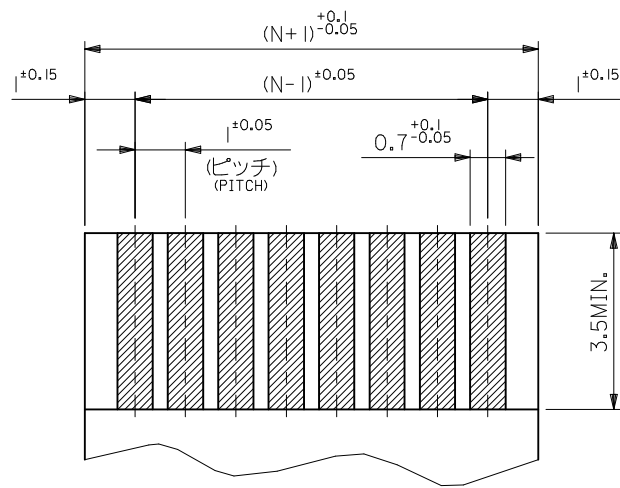
△偶数極に適用。
 APPLY FOR EVEN CKT.

4. 本製品は 52808-**20 の鉛フリー品である。
 THIS PRODUCT IS LEAD FREE OF 52808-**20.

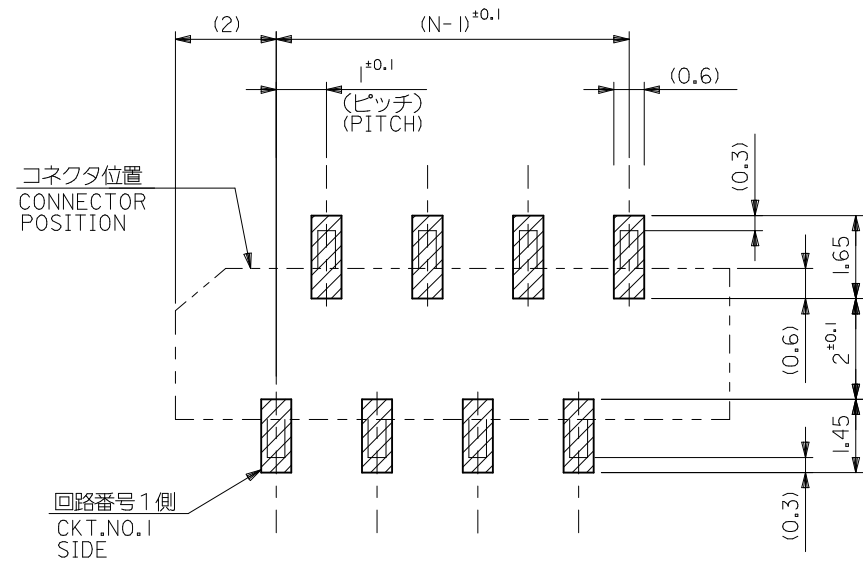
FPCについて:
 打抜き方向は導体側から補強板を推奨致します。
 補強フィルム材質はポリイミドを推奨致します。
 接着剤は熱硬化接着剤を推奨致します。

ABOUT FPC:
 RECOMMENDED PUNCHER DIRECTION : FROM CONDUCTOR SIDE TO STIFFENER BOARD SIDE.
 RECOMMENDED MATERIAL :
 STIFFENER FILM : POLYIMIDE
 BONDING AGENT : THERMOSETTING BONDING AGENT

REVISED EC NO: J2015-0830 DRWN:NASANUMA 2014/12/19 CHKD:KAKAHASHI 2015/02/06 APPR:YNOGAWA 2015/02/23	GENERAL TOLERANCES (UNLESS SPECIFIED)		DIMENSION STYLE		SCALE	DESIGN UNITS	THIRD ANGLE PROJECTION
	0.25 UNDER UNDER ±0.03		MM ONLY		10:1	METRIC	
	0.25 OVER 0.5 UNDER ±0.05		DRAWN BY DATE		TITLE		
	0.5 OVER 1.0 UNDER ±0.1		MNNOMIYA 2004/02/09		1.0 FFC CONN. NON ZIF SMT ST (WITH TAPE) -LEAD FREE-		
1.0 OVER 10 UNDER ±0.2		CHECKED BY DATE		DOCUMENT NO.			SHEET NO.
10 OVER 30 UNDER ±0.25		KTOJO 2004/02/09		SD-52808-025			1 OF 2
30 OVER ±0.3		APPROVED BY DATE		SEE CHART			
ANGULAR ±3 °		MSASAO 2004/02/09		THIS DRAWING CONTAINS INFORMATION THAT IS PROPRIETARY TO MOLEX INCORPORATED AND SHOULD NOT BE USED WITHOUT WRITTEN PERMISSION			
DRAFT WHERE APPLICABLE MUST REMAIN WITHIN DIMENSIONS		MATERIAL NO.					
		SIZE A3					



(仕上がり厚さ0.3^{+0.03})
THICKNESS
適合FPC/FFC推奨寸法
APPLICABLE FPC/FFC
RECOMMENDED DIMENSION.

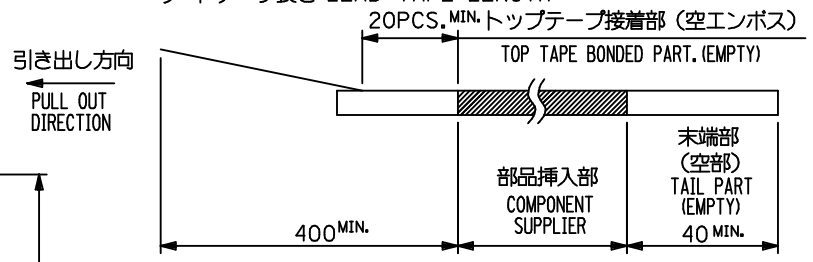


参考基板レイアウト (マウント面)
RECOMMENDED P.C.BOARD
PATTERN DIMENSION. (REF.)
(MOUNTING AREA)

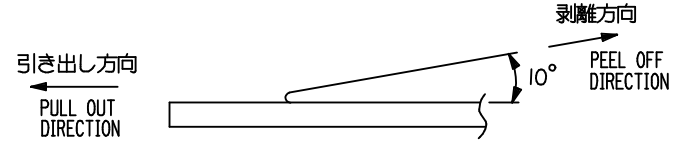
SEE SHEET 1 OF 2 EC NO: J2015-0830 DRWN: SANUMA 2014/12/19 CHKD: TAKAHASHI 2015/02/06 APPR: YNOGAWA 2015/02/23	GENERAL TOLERANCES (UNLESS SPECIFIED)			DIMENSION STYLE MM ONLY		SCALE 10:1	DESIGN UNITS METRIC	THIRD ANGLE PROJECTION
	0.25 UNDER	UNDER	±0.03	DRAWN BY	DATE	TITLE		
	0.25 OVER	0.5 UNDER	±0.05	MNINOMIYA	2004/02/09	1.0 FFC CONN. NON ZIF SMT ST (WITH TAPE) -LEAD FREE-		
	0.5 OVER	1.0 UNDER	±0.1	CHECKED BY	DATE	molex		
	1.0 OVER	10 UNDER	±0.2	KTOJO	2004/02/09			
10 OVER	30 UNDER	±0.25	APPROVED BY	DATE	DOCUMENT NO.			
30 OVER		±0.3	MSASAO	2004/02/09	SD-52808-025			
ANGULAR	±3 °		MATERIAL NO.		SHEET NO.			
DRAFT WHERE APPLICABLE MUST REMAIN WITHIN DIMENSIONS			SIZE A3		THIS DRAWING CONTAINS INFORMATION THAT IS PROPRIETARY TO MOLEX INCORPORATED AND SHOULD NOT BE USED WITHOUT WRITTEN PERMISSION			

NOTES

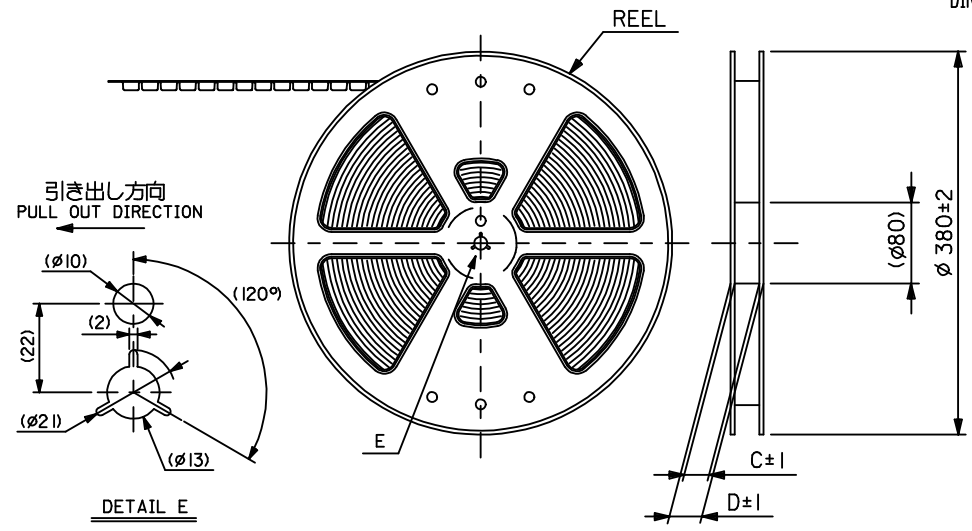
- 製品詳細寸法については図面 SD-52808-025 を参照下さい。
RE DETAILED DIMENSION, SEE SD-52808-025.
- 梱包数量：1000個/リール
NUMBER OF CONNECTORS : 1000PCS/REEL
- リードテープ長さ LEAD TAPE LENGTH



- トップテープの剥離強度：0.1N ~ 1.3N(10gf ~ 130gf)
(剥離方向は下図参照)
尚、本規格値は出荷時に適用。(但し、輸送時に剥離が発生しないこと。)
PEELING OFF FORCE OF TOP TAPE : 0.1N ~ 1.3N(10gf ~ 130gf)
(PEELING DIRECTION AS SHOWN IN FOLLOWING FIG.)
THIS REQUIREMENT SHOULD BE APPLIED AT SHIPMENT.
PEEL OFF SHOULD NOT BE ALLOWED , DURING TRANSPORTATION.



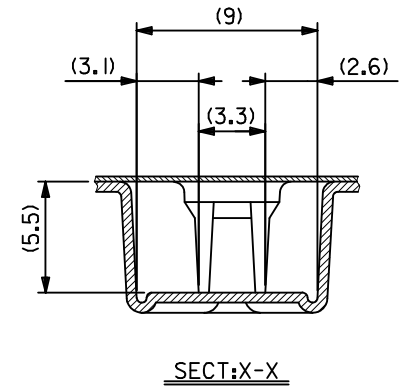
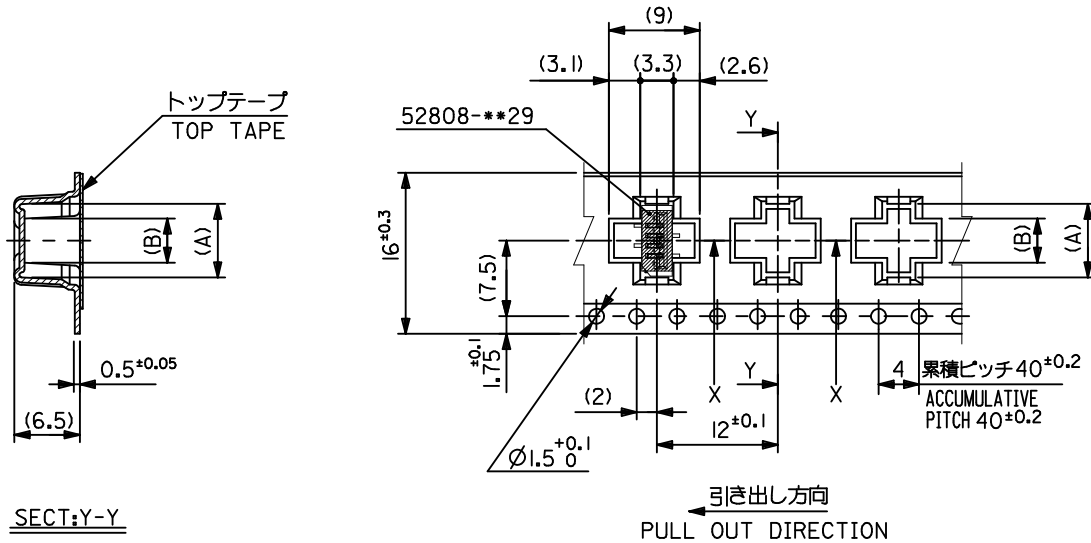
- 材料 (MATERIAL)
キャリアテープ (CARRIER TAPE) : ポリプロピレン (POLYPROPYLENE)
トップテープ (TOPTAPE) : PET , PE , PEF
リール (REEL) : ポリスチレン (PS) <リサイクル材を含む>
POLYSTYRENE (PS) <RECYCLE MATERIAL CONTAINED>
- MXI 製造製品は紙リールを使用すること。
ONLY MXI PRODUCT ITEM SHOULD USE CARD BOARD REEL.
- 本製品は 52808-***9I の鉛フリー品である。
THIS PRODUCT IS LEAD FREE OF 52808-***9I.



MODEL NO.	52808-***71
GENERAL TOLERANCES (UNLESS SPECIFIED)	DIMENSION STYLE MM ONLY
SCALE ---	DESIGN UNITS METRIC
THIRD ANGLE PROJECTION	

REVISED EC NO: J2015-0830 DRWN: SANUMA 2014/12/18 CHKD: TAKAHASHI 2015/02/06 APPR: YNOGAWA 2015/02/23	0.25 UNDER UNDER ±0.03	DRAWN BY DATE	TITLE 1.0 FFC CONN NON ZIF SMT ST WITH TAPE EMBSTP PKG -LEAD FREE- molex
	0.25 OVER 0.5 UNDER ±0.05	MNINOMIYA 2004/02/09	
	0.5 OVER 1.0 UNDER ±0.1	CHECKED BY DATE	
	1.0 OVER 10 UNDER ±---	KTOJO 2004/02/09	
	10 OVER 30 UNDER ±---	APPROVED BY DATE	
	30 OVER ±---	MATERIAL NO.	
ANGULAR ±--- °	DOCUMENT NO.	SEE CHART	SD-52808-026
DRAFT WHERE APPLICABLE MUST REMAIN WITHIN DIMENSIONS		SIZE A3	SHEET NO. 1 OF 6

THIS DRAWING CONTAINS INFORMATION THAT IS PROPRIETARY TO MOLEX INCORPORATED AND SHOULD NOT BE USED WITHOUT WRITTEN PERMISSION



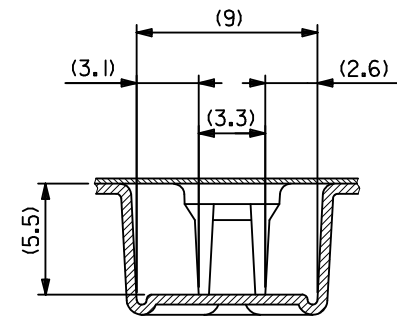
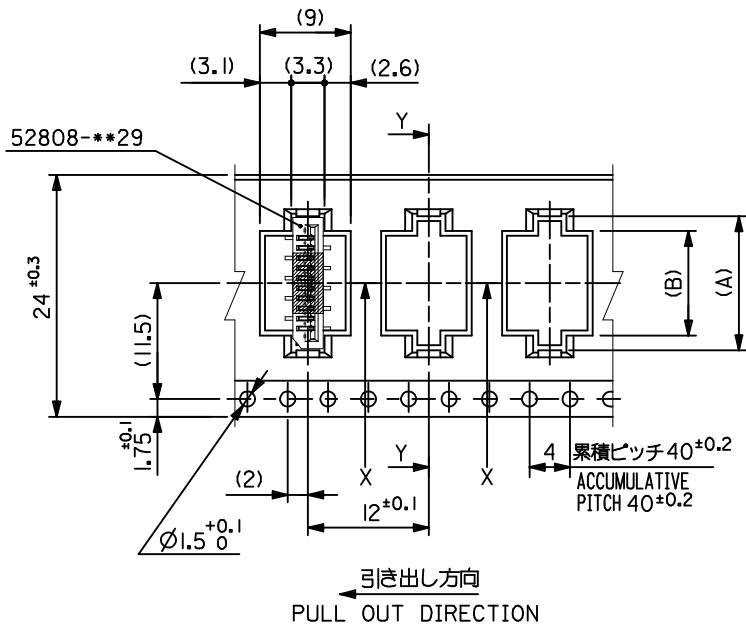
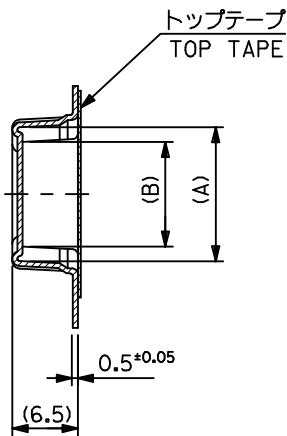
SECT:Y-Y

引き出し方向
PULL OUT DIRECTION

16mm幅キャリアテープ
16mm WIDTH CARRIER TAPE

16	21.4	17.4	5.4	8.3	52808-0571	5
			4.4	7.3	52808-0471	4
キャリアテープ幅 CARRIER TAPE WIDTH	D	C	(B)	(A)	MATERIAL NO.	種数 CKT.
MODEL NO.					52808-**-71	

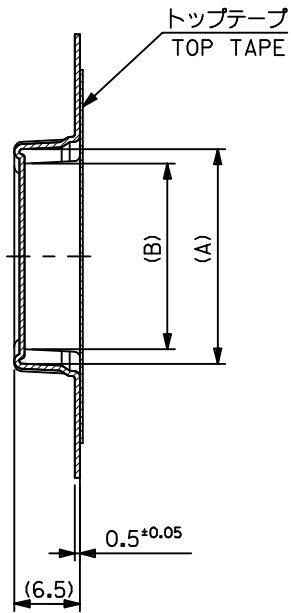
SEE SHEET 1 OF 6 EC NO.: J2015-0830 DRWN: SANUMA 2014/12/18 CHKD: TAKAHASHI 2015/02/06 APPR: YNOGAWA 2015/02/23	GENERAL TOLERANCES (UNLESS SPECIFIED)			DIMENSION STYLE MM ONLY		SCALE ---	DESIGN UNITS METRIC	THIRD ANGLE PROJECTION	
	0.25 UNDER	UNDER	±0.03	DRAWN BY	DATE	TITLE			
	0.25 OVER	0.5 UNDER	±0.05	MNINOMIYA	2004/02/09	1.0 FFC CONN NON ZIF SMT ST WITH TAPE EMBSTP PKG -LEAD FREE-			
	0.5 OVER	1.0 UNDER	±0.1	CHECKED BY	DATE	molex			
	1.0 OVER	10 UNDER	±---	KTOJO	2004/02/09				
10 OVER	30 UNDER	±---	APPROVED BY	DATE	MATERIAL NO.	DOCUMENT NO.	SHEET NO.		
30 OVER		±---	SEE CHART		SD-52808-026		2 OF 6		
ANGULAR	±---	°	THIS DRAWING CONTAINS INFORMATION THAT IS PROPRIETARY TO MOLEX INCORPORATED AND SHOULD NOT BE USED WITHOUT WRITTEN PERMISSION						
DRAFT WHERE APPLICABLE MUST REMAIN WITHIN DIMENSIONS									



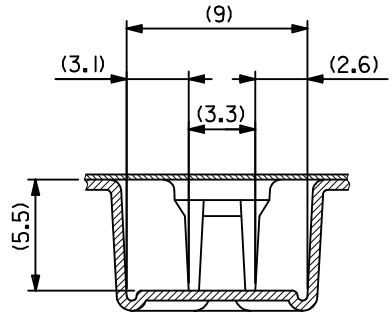
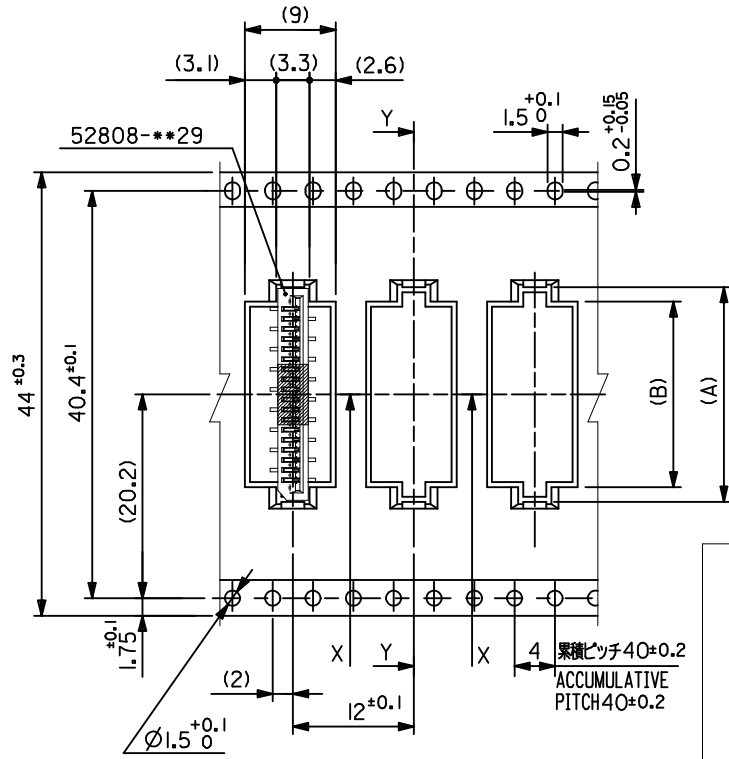
24mm幅キャリアテープ
24mm WIDTH CARRIER TAPE

24	29.4	25.4	10.4	13.3	52808-1071	10
			9.4	12.3	52808-0971	9
			8.4	11.3	52808-0871	8
			7.4	10.3	52808-0771	7
			6.4	9.3	52808-0671	6
キャリアテープ幅 CARRIER TAPE WIDTH	D	C	(B)	(A)	MATERIAL NO.	種数 CKT.
MODEL NO.			52808-**-71			

SEE SHEET 1 OF 6 EC NO: J2015-0830 DRWN:NASANUMA 2014/12/18 CHKD:KATAHASHI 2015/02/06 APPR:YNOGAWA 2015/02/23	GENERAL TOLERANCES (UNLESS SPECIFIED)			DIMENSION STYLE MM ONLY		SCALE ---	DESIGN UNITS METRIC	THIRD ANGLE PROJECTION	
	0.25 UNDER	UNDER	± 0.03	DRAWN BY	DATE	TITLE			
	0.25 OVER	0.5 UNDER	± 0.05	MNINOMIYA	2004/02/09	1.0 FFC CONN NON ZIF SMT ST WITH TAPE EMBSTP PKG -LEAD FREE-			
	0.5 OVER	1.0 UNDER	± 0.1	CHECKED BY	DATE	molex			
	1.0 OVER	10 UNDER	± ---	KTOJO	2004/02/09				
	10 OVER	30 UNDER	± ---	APPROVED BY	DATE	MATERIAL NO.	DOCUMENT NO.	SHEET NO.	
30 OVER		± ---			SEE CHART	SD-52808-026	3 OF 6		
ANGULAR	± --- °		THIS DRAWING CONTAINS INFORMATION THAT IS PROPRIETARY TO MOLEX INCORPORATED AND SHOULD NOT BE USED WITHOUT WRITTEN PERMISSION						
DRAFT WHERE APPLICABLE MUST REMAIN WITHIN DIMENSIONS									



SECT:Y-Y

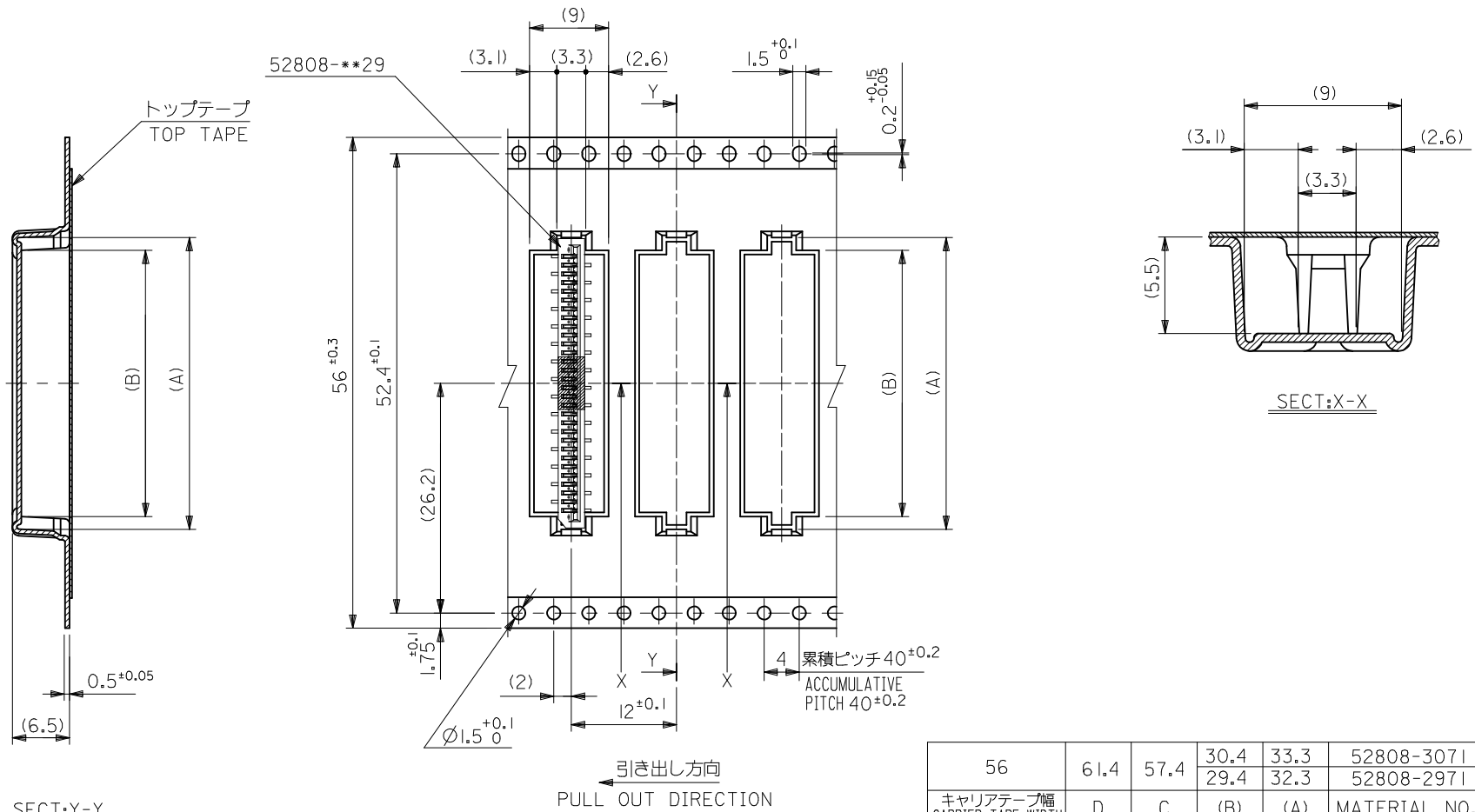


SECT:X-X

44mm幅キャリアテープ
44mm WIDTH CARRIER TAPE

44	49.4	45.4	28.4	31.3	52808-2871	28
			27.4	30.3	52808-2771	27
			26.4	29.3	52808-2671	26
			25.4	28.3	52808-2571	25
			24.4	27.3	52808-2471	24
			23.4	26.3	52808-2371	23
			22.4	25.3	52808-2271	22
			21.4	24.3	52808-2171	21
			20.4	23.3	52808-2071	20
			19.4	22.3	52808-1971	19
			18.4	21.3	52808-1871	18
17.4	20.3	52808-1771	17			
16.4	19.3	52808-1671	16			
キャリアテープ幅 CARRIER TAPE WIDTH	D	C	(B)	(A)	MATERIAL NO.	種数 CKT.
MODEL NO.		52808-***71				

SEE SHEET 1 OF 6 EC NO.: J2015-0830 DRWN:NASUNUMA 2014/12/18 CHKD:KAKAHASHI 2015/02/06 APPR:YNOGAWA 2015/02/23	GENERAL TOLERANCES (UNLESS SPECIFIED)		DIMENSION STYLE MM ONLY		SCALE ---	DESIGN UNITS METRIC	THIRD ANGLE PROJECTION
	0.25 UNDER	UNDER	±0.03	DRAWN BY MNINOMIYA	DATE 2004/02/09	TITLE 1.0 FFC CONN NON ZIF SMT ST WITH TAPE EMBSTP PKG -LEAD FREE-	
	0.25 OVER	0.5 UNDER	±0.05	CHECKED BY KTOJO	DATE 2004/02/09		
	0.5 OVER	1.0 UNDER	±0.1	APPROVED BY	DATE		
	1.0 OVER	10 UNDER	±---	MATERIAL NO.	DOCUMENT NO.	SHEET NO.	5 OF 6
10 OVER	30 UNDER	±---	SEE CHART		SD-52808-026		
30 OVER		±---	DRAFT WHERE APPLICABLE MUST REMAIN WITHIN DIMENSIONS		THIS DRAWING CONTAINS INFORMATION THAT IS PROPRIETARY TO MOLEX INCORPORATED AND SHOULD NOT BE USED WITHOUT WRITTEN PERMISSION		
ANGULAR	±---	°	SIZE A3				



SECT:Y-Y

引き出し方向
PULL OUT DIRECTION

56mm幅キャリアテープ
56mm WIDTH CARRIER TAPE

56	61.4	57.4	30.4	33.3	52808-3071	30
キャリアテープ幅 CARRIER TAPE WIDTH			D	C	52808-2971	29
MODEL NO.					52808-***71	
DIMENSION STYLE MM ONLY			SCALE ---	DESIGN UNITS METRIC	THIRD ANGLE PROJECTION	

SEE SHEET 1 OF 6 EC NO.: J2015-0830 DRAWN: SASUWA 2014/12/18 CHKD: TAKAHASHI 2015/02/06 APPR: YNOGAWA 2015/02/23	GENERAL TOLERANCES (UNLESS SPECIFIED)			DIMENSION STYLE MM ONLY	
	0.25 UNDER	UNDER	±0.03	DRAWN BY	DATE
	0.25 OVER	0.5 UNDER	±0.05	MNINOMIYA	2004/02/09
	0.5 OVER	1.0 UNDER	±0.1	CHECKED BY	DATE
	1.0 OVER	10 UNDER	±---	KTOJO	2004/02/09
	10 OVER	30 UNDER	±---	APPROVED BY	DATE
30 OVER		±---	MATERIAL NO.	DOCUMENT NO.	
ANGULAR	±--- °		SEE CHART		
DRAFT WHERE APPLICABLE MUST REMAIN WITHIN DIMENSIONS			SIZE A3	THIS DRAWING CONTAINS INFORMATION THAT IS PROPRIETARY TO MOLEX INCORPORATED AND SHOULD NOT BE USED WITHOUT WRITTEN PERMISSION	

TITLE		1.0 FFC CONN NON ZIF SMT ST WITH TAPE EMBSTP PKG -LEAD FREE-	
MATERIAL NO.		SD-52808-026	
SHEET NO.		6 OF 6	

