



Chipsmall Limited consists of a professional team with an average of over 10 year of expertise in the distribution of electronic components. Based in Hongkong, we have already established firm and mutual-benefit business relationships with customers from,Europe,America and south Asia,supplying obsolete and hard-to-find components to meet their specific needs.

With the principle of "Quality Parts,Customers Priority,Honest Operation,and Considerate Service",our business mainly focus on the distribution of electronic components. Line cards we deal with include Microchip,ALPS,ROHM,Xilinx,Pulse,ON,Everlight and Freescale. Main products comprise IC,Modules,Potentiometer,IC Socket,Relay,Connector.Our parts cover such applications as commercial,industrial, and automotives areas.

We are looking forward to setting up business relationship with you and hope to provide you with the best service and solution. Let us make a better world for our industry!



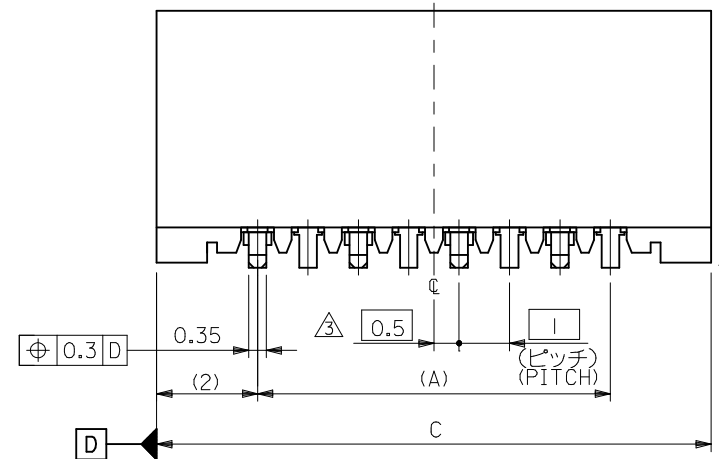
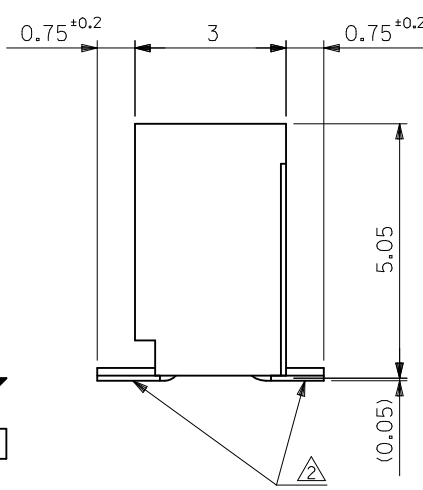
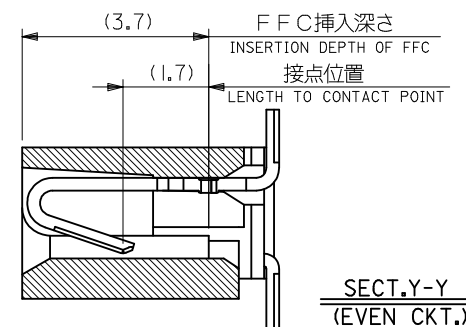
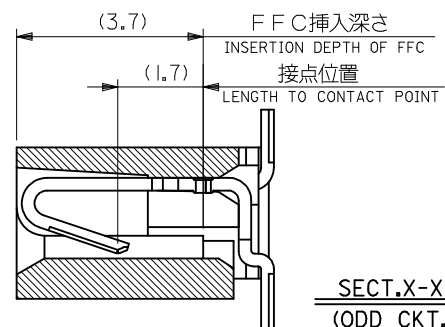
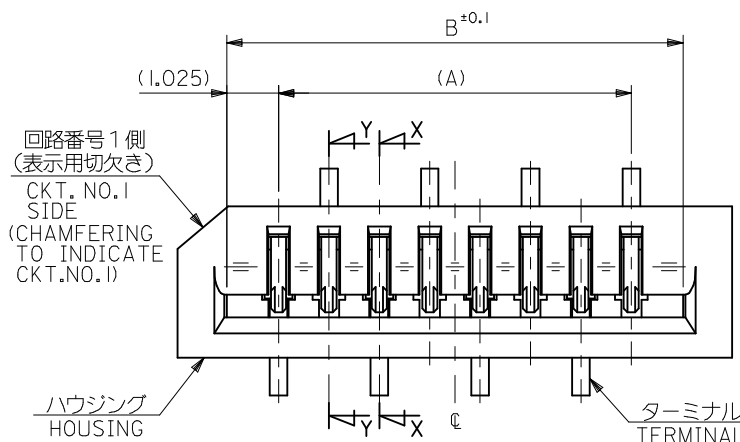
Contact us

Tel: +86-755-8981 8866 Fax: +86-755-8427 6832

Email & Skype: info@chipsmall.com Web: www.chipsmall.com

Address: A1208, Overseas Decoration Building, #122 Zhenhua RD., Futian, Shenzhen, China



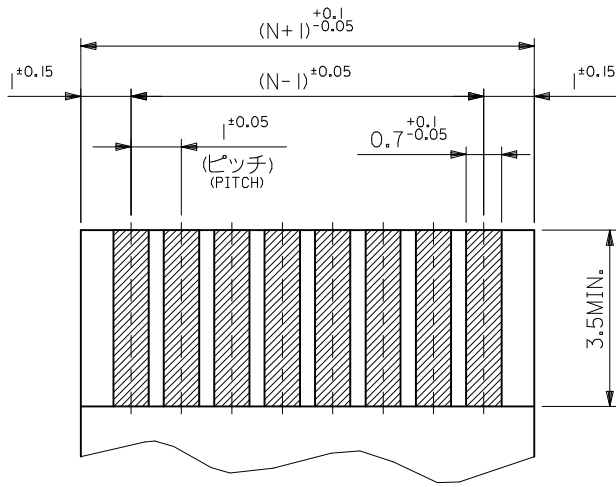


33	31.05	29	52808-3019	30
32	30.05	28	-2919	29
31	29.05	27	-2819	28
30	28.05	26	-2719	27
29	27.05	25	-2619	26
28	26.05	24	-2519	25
27	25.05	23	-2419	24
26	24.05	22	-2319	23
25	23.05	21	-2219	22
24	22.05	20	-2119	21
23	21.05	19	-2019	20
22	20.05	18	-1919	19
21	19.05	17	-1819	18
20	18.05	16	-1719	17
19	17.05	15	-1619	16
18	16.05	14	-1519	15
17	15.05	13	-1419	14
16	14.05	12	-1319	13
15	13.05	11	-1219	12
14	12.05	10	-1119	11
13	11.05	9	-1019	10
12	10.05	8	-0919	9
11	9.05	7	-0819	8
10	8.05	6	-0719	7
9	7.05	5	-0619	6
8	6.05	4	-0519	5
7	5.05	3	52808-0419	4

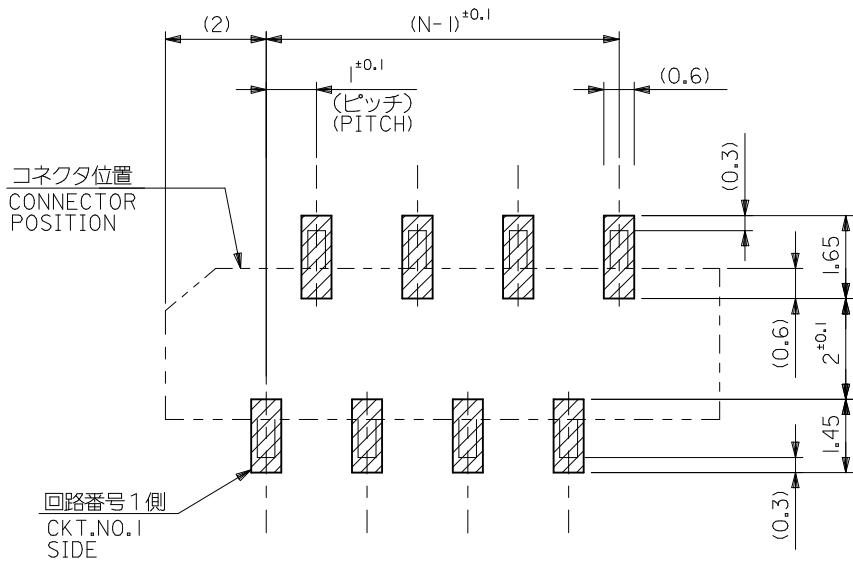
注記 NOTES:

1. 使用材料 MATERIAL
 ハウジング : PPS, UL94V-0 HOUSING : PPS, UL94V-0
 ターミナル : リン青銅 (t=0.25) TERMINAL : PHOSPHOR BRONZE
 メッキ : ニッケル下地錫ピスマスメッキ PLATING : TIN-BISMUTH OVER NICKEL
2. 基準面 [E] からのソルダーテールの半田付け面のズレ量は、
 上方向に 0.1 MAX. 下方向 0.15 MAX. とする。
 MISALIGNMENT OF SOLDER TAIL FROM [E]
 : UPPER DIRECTION 0.1 MAX. , LOWER DIRECTION 0.15 MAX.
3. 偶数極に適用。
 APPLY FOR EVEN CKT.
4. 本製品は 52808-***10 の鉛フリー品である。
 THIS PRODUCT IS LEAD FREE OF 52808-***10

REVISED EC NO: J2014-1080 DRWN: TAKAHASHI 04.2013/12/25 CHKD: TAKAHASHI 2014/01/08 APPR: YNOGAWA 2014/01/09	GENERAL TOLERANCES (UNLESS SPECIFIED)		DIMENSION STYLE MM ONLY		SCALE 10:1	DESIGN UNITS METRIC	THIRD ANGLE PROJECTION	
	10 UNDER ±0.2 10 OVER 30 UNDER ±0.25 30 OVER ±0.3	ANGULAR ±3 ° DRAFT WHERE APPLICABLE MUST REMAIN WITHIN DIMENSIONS	DRAWN BY M. NABE I DATE '04/02/19	CHECKED BY M. SASAO DATE '04/02/19	APPROVED BY M. SASAO DATE '04/02/19	TITLE 1.0 FFC CONN. NON ZIF SMT. ST. -LEAD FREE- molex		
	MATERIAL NO. SEE CHART		DOCUMENT NO. SD-52808-027		SHEET NO. 1 OF 2			
	THIS DRAWING CONTAINS INFORMATION THAT IS PROPRIETARY TO MOLEX INCORPORATED AND SHOULD NOT BE USED WITHOUT WRITTEN PERMISSION							



(仕上がり厚さ0.3^{+0.03})
THICKNESS
適合FPC推奨寸法
APPLICABLE FPC
RECOMMENDED DIMENSION.



参考基板レイアウト (マウント面)
RECOMMENDED P.C.BOARD
PATTERN DIMENSION. (REF.)
(MOUNTING AREA)

FPCについて:

打抜き方向は、導体側から補強板側を推奨いたします。
補強フィルム材質は、ポリイミドを推奨いたします。
接着剤は、熱硬化接着剤を推奨いたします。

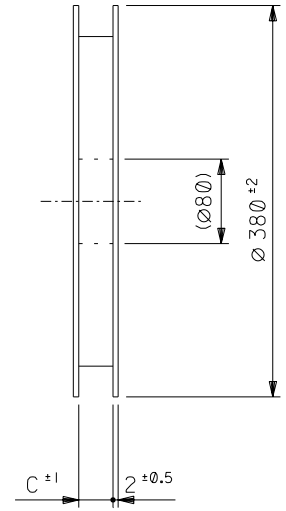
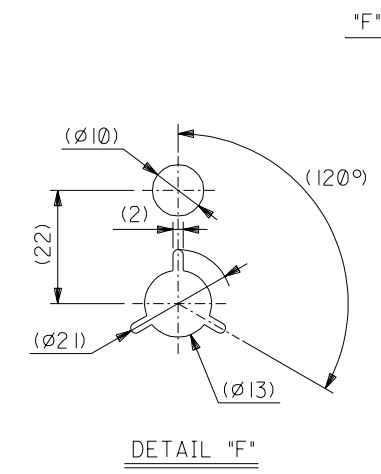
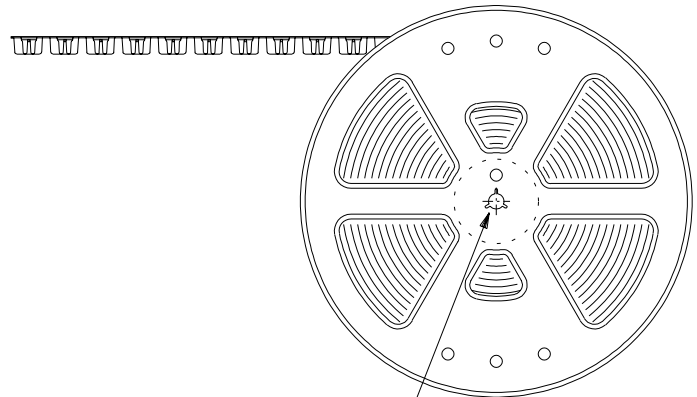
ABOUT FPC:

RECOMMENDED PUNCHER DIRECTION: FROM CONDUCTOR SIDE TO STIFFENER BOARD SIDE.

RECOMMENDED MATERIAL:
STIFFENER FILM: POLYIMIDE
BONDING AGENT: THERMOSETTING BONDING AGENT

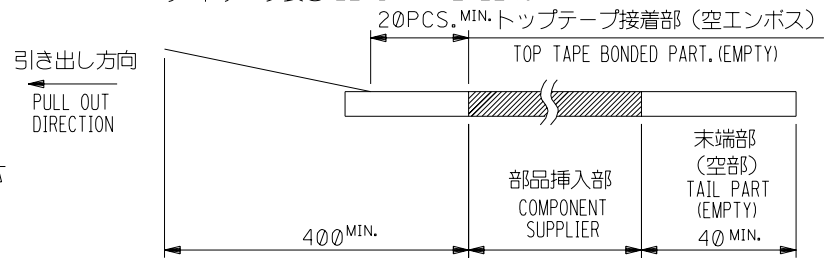
REVISED EC NO: J2014-1080 DRWN:MTAKAHASHI 04/2013/12/25 CHKD:KTAKAHASHI 2014/01/08 APPR:YNOGAWA 2014/01/09	DESCRIPTION REV	GENERAL TOLERANCES (UNLESS SPECIFIED)		DIMENSION STYLE MM ONLY		SCALE 10:1	DESIGN UNITS METRIC	THIRD ANGLE PROJECTION	
		10 UNDER	±0.2	DRAWN BY M. NABEI	DATE '04/02/19	TITLE 1.0 FFC CONN. NON ZIF SMT. ST. -LEAD FREE-			
		10 OVER 30 UNDER	±0.25	CHECKED BY M. SASAO	DATE '04/02/19				
		30 OVER	±0.3	APPROVED BY M. SASAO	DATE '04/02/19				
ANGULAR ±3 °		DRAFT WHERE APPLICABLE MUST REMAIN WITHIN DIMENSIONS		MATERIAL NO. SEE SHEET 1 OF 2		DOCUMENT NO. SD-52808-027		SHEET NO. 2 OF 2	
SIZE A3		THIS DRAWING CONTAINS INFORMATION THAT IS PROPRIETARY TO MOLEX INCORPORATED AND SHOULD NOT BE USED WITHOUT WRITTEN PERMISSION							

引き出し方向
PULL OUT

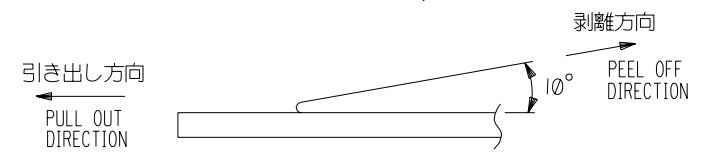


NOTES

- 製品詳細寸法については図面 SD-52808-027 を参照下さい。
RE DETAILED DIMENSION, SEE SD-52808-027
- 梱包数量：1000個/リール
NUMBER OF CONNECTORS : 1000PCS/REEL
- リードテープ長さ LEAD TAPE LENGTH



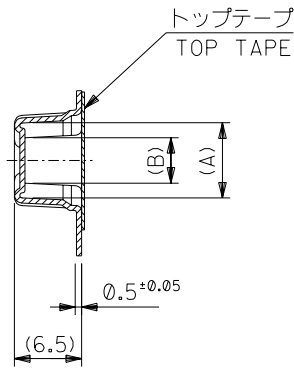
- トップテープの剥離強度： 0.1 ~ 1.3N (10 ~ 130gf)
(剥離方向は下図参照)
尚、本規格値は出荷時に適用。(但し、輸送時に剥離が発生しないこと。)
PEELING OFF FORCE OF TOP TAPE : 0.1 ~ 1.3N (10 ~ 130gf)
(PEELING DIRECTION AS SHOWN IN FOLLOWING FIG.)
THIS REQUIREMENT SHOULD BE APPLIED AT SHIPMENT.
PEEL OFF SHOULD NOT BE ALLOWED , DURING TRANSPORTATION.



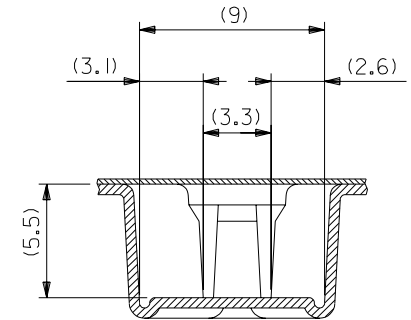
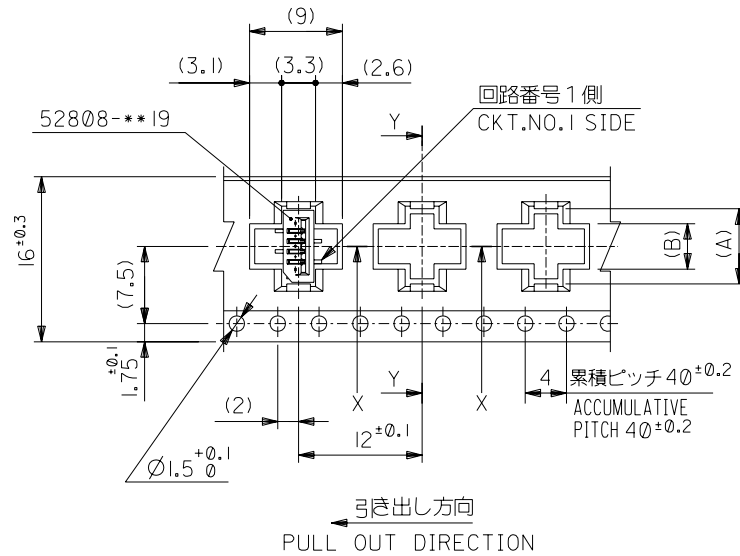
- 材料 (MATERIAL)
キャリアテープ (CARRIER TAPE) : ポリプロピレン (POLYPROPYLENE)
トップテープ (TOPTAPE) : PET , PE , PEF
リール (REEL) : ポリスチレン (PS) <リサイクル材を含む>
POLYSTYREN (PS) <RECYCLE MATERIAL CONTAINED>
- 本製品は 52808-**90 の鉛フリー品である。
THIS PRODUCT IS LEAD FREE OF 52808-**90

52808-**70
MODEL NO.

		材料 MATERIAL		注記参照 SEE NOTES		MATERIAL		MATERIAL	
		仕上げ FINISH		— / —		MATERIAL		MATERIAL	
		適用電線範囲 WIRE RANGE		— / —		DRAWN BY '04/02/19		CHK'D BY '04/02/19	
		被覆外径 INS. RANGE		— / —		M.NABEI		M.SASAO	
角度 ANGLE		±3°				APP'D BY '04/02/19		M.SASAO	
30 以上 OVER		+0.3				DR. / CHK.		DATE	
10 以上 OVER 30 未満 UNDER		+0.25				REVISION RECORD			
10 未満 UNDER		+0.2				新規作成 RELEASED (J2004-2528)		M.N. / M.S. '04/02/19	
一般公差 GENERAL TOLERANCES		記号 LTR		変更内容 REVISION RECORD		日付 DATE		尺度 SCALE	
								— / —	
								DWG. NO. (SHEET 1 OF 6) REV	
								SD-52808-028 0	



SECT:Y-Y



SECT:X-X
(SCALE:4-1)

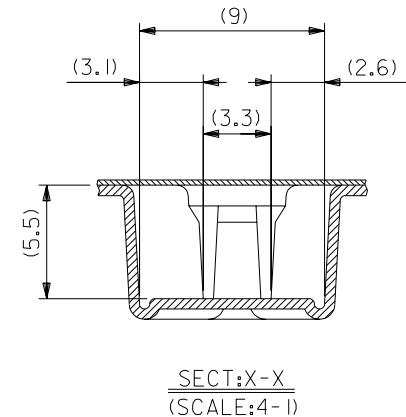
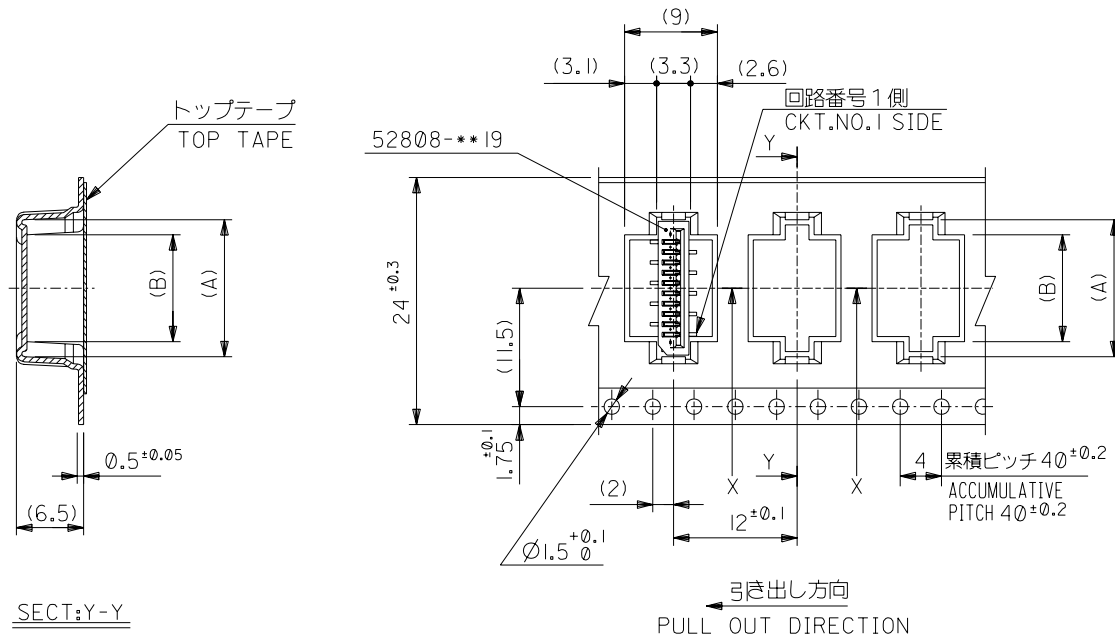
16mm幅キャリアテープ
16mm WIDTH CARRIER TAPE

DIMENSIONS IN METRIC DO NOT SCALE DRAWING

52808-**-70	16	17.5	5.4	8.3	52808-0570	5
MODEL NO.	CARRIER TAPE WIDTH	C	(B)	(A)	MATERIAL NO.	種数 CKT.
			4.4	7.3	52808-0470	4

角度 ANGLE		±3°	材料 MATERIAL SHEET 1 OF 6 参照 REFER TO SHEET 1 OF 6		molex MOLEX-JAPAN CO.,LTD. 日本モレックス株式会社
30以上 OVER	±0.5	仕上げ FINISH		REVISE ONLY ON CAD SYSTEM	
10以上 OVER	±0.25	適用電線範囲 WIRE RANGE		TITLE 名称	
30未満 UNDER	±0.25	被覆外径 INS. RANGE		1.0 FFC Conn NON ZIF SMT ST Embstp Pkg -LEAD FREE-	
10未満 UNDER	±0.2	① 新規作成 RELEASED (J2004-2528)	M.N. M.S	04/02/19	DWG. NO. (SHEET 2 OF 6) REV
一般公差 GENERAL TOLERANCES	記号 LTR	変更内容 REVISION RECORD	DR. CHK.	日付 DATE	SD-52808-028
				04/02/19	0
				M.NABEI	
				M.SASAO	
				04/02/19	
				M.SASAO	
				尺度 SCALE	

SD-52808-028.S02



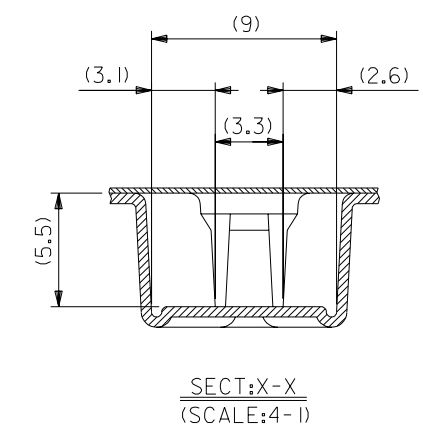
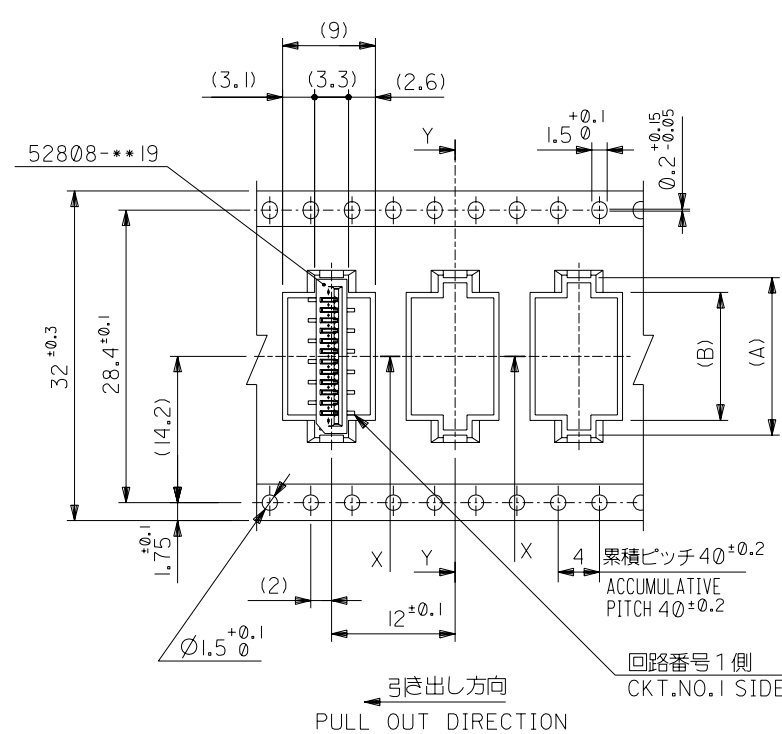
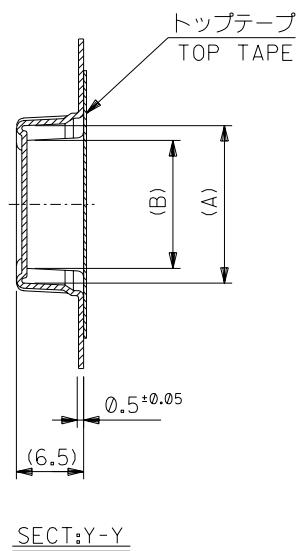
24mm幅キャリアテープ
24mm WIDTH CARRIER TAPE

52808-**-70	MODEL NO.	キャリアテープ幅 CARRIER TAPE WIDTH	C	10.4	13.3	52808-1070	10
				9.4	12.3	52808-0970	9
				8.4	11.3	52808-0870	8
				7.4	10.3	52808-0770	7
				6.4	9.3	52808-0670	6
				(B)	(A)	MATERIAL NO.	種数 CKT.

角度 ANGLE		±3°				材料 MATERIAL SHEET 1 OF 6 参照 REFER TO SHEET 1 OF 6	molex MOLEX-JAPAN CO.,LTD. 日本モレックス株式会社		
30 以上 OVER		±0.5				仕上げ FINISH		REVISE ONLY ON CAD SYSTEM	
10 以上 OVER	30 未満 UNDER	±0.25				適用電線範囲 WIRE RANGE	TITLE 名称		
10 未満 UNDER		±0.2				被覆外径 INS. RANGE	1.0 FFC Conn NON ZIF SMT ST Embstp Pkg -LEAD FREE-		
一般公差 GENERAL TOLERANCES	記号 LTR	変更内容 REVISION RECORD	DR. CHK.	日付 DATE	APP'D BY M.SASAO	DRAWN BY '04/02/19 M.NABEI	CHK'D BY '04/02/19 M.SASAO	DWG. NO. (SHEET 3 OF 6)	REV 0
		① 新規作成 RELEASED (J2004-2528)	M.N	04/02/19	M.S			SD-52808-028	

DIMENSIONS IN METRIC DO NOT SCALE DRAWING

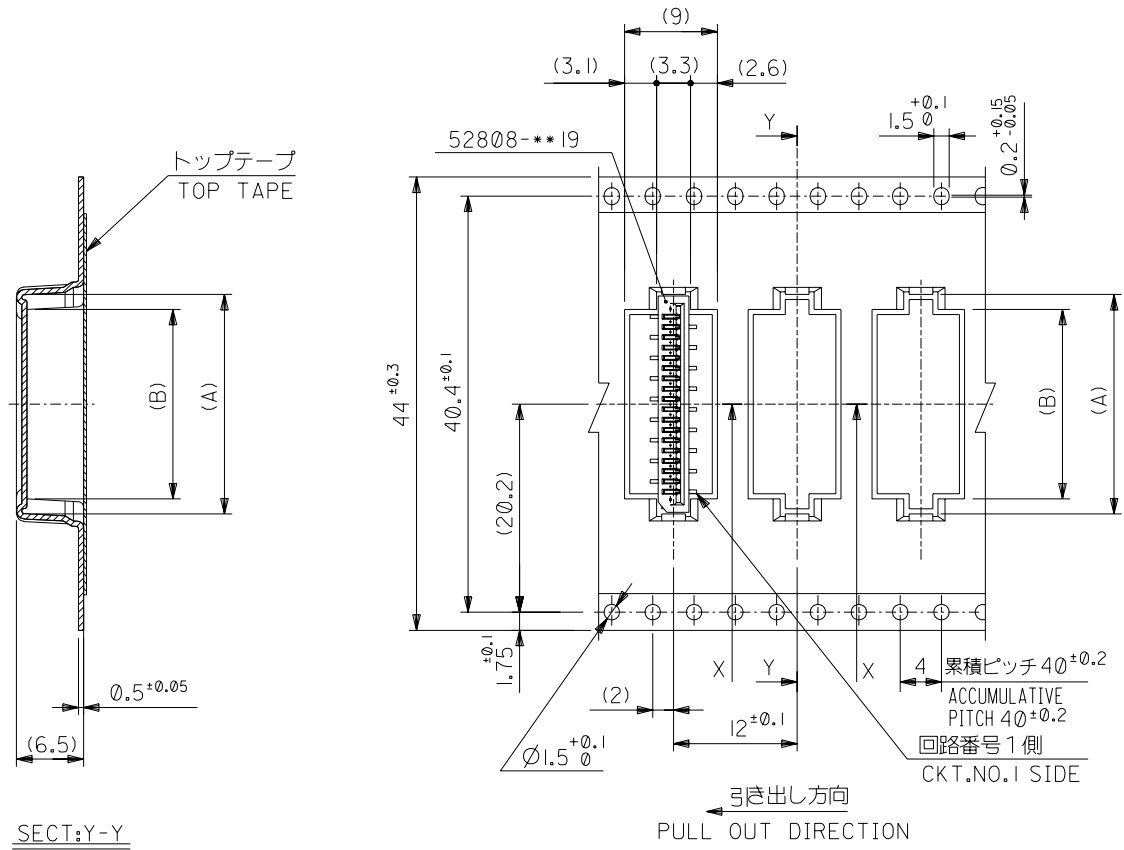
SD-52808-028.S03



32mm幅キャリアテープ
32mm WIDTH CARRIER TAPE

52808-***70	MODEL NO.	キャリアテープ幅 CARRIER TAPE WIDTH	C	(B)	(A)	15.4	18.3	52808-1570	15
						14.4	17.3	52808-1470	14
						13.4	16.3	52808-1370	13
						12.4	15.3	52808-1270	12
						11.4	14.3	52808-1170	11
						MATERIAL NO.	植数 CKT.		

角度 ANGLE		±3°				材料 MATERIAL SHEET 1 OF 6 参照 REFER TO SHEET 1 OF 6	molex MOLEX-JAPAN CO.,LTD. 日本モレックス株式会社
30以上 OVER	±0.5				仕上げ FINISH	REVISE ONLY ON CAD SYSTEM	
10以上 OVER	±0.25				適用電線範囲 WIRE RANGE	TITLE 名称	1.0 FFC Conn NON ZIF SMT ST Embstp Pkg -LEAD FREE-
10未満 UNDER	±0.2				被覆外径 INS. RANGE	DRAWN BY 04/02/19 M.NABEI	DWG. NO. (SHEET 4 OF 6)
一般公差 GENERAL TOLERANCES					新規作成 RELEASED (J2004-2528)	CHK'D BY 04/02/19 M.SASAO	REV
記号 LTR	変更内容 REVISION RECORD	DR. CHK.	日付 DATE	APP'D BY 04/02/19 M.SASAO	尺度 SCALE		0



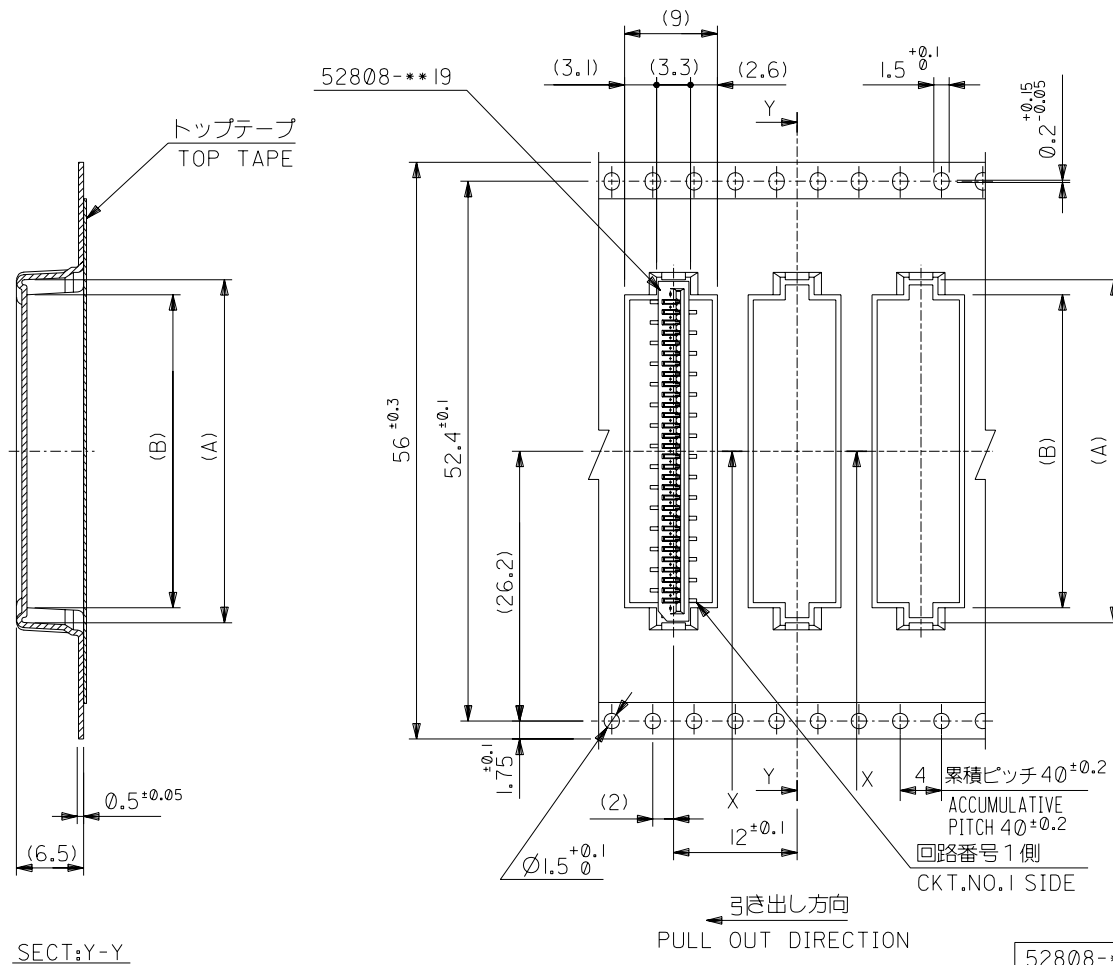
44	45.5	28.4	31.3	52808-2870	28
		27.4	30.3	52808-2770	27
		26.4	29.3	52808-2670	26
		25.4	28.3	52808-2570	25
		24.4	27.3	52808-2470	24
		23.4	26.3	52808-2370	23
		22.4	25.3	52808-2270	22
		21.4	24.3	52808-2170	21
		20.4	23.3	52808-2070	20
		19.4	22.3	52808-1970	19
		18.4	21.3	52808-1870	18
		17.4	20.3	52808-1770	17
		16.4	19.3	52808-1670	16

52808-***70	キャリアテープ幅 CARRIER TAPE WIDTH	C	(B)	(A)	MATERIAL NO.	種数 CKT.
-------------	--------------------------------	---	-----	-----	--------------	------------

材料 MATERIAL SHEET 1 OF 6 参照 REFER TO SHEET 1 OF 6		材料 MATERIAL SHEET 1 OF 6 参照 REFER TO SHEET 1 OF 6		MOLLEX MOLEX-JAPAN CO.,LTD. 日本モレックス株式会社	
仕上げ FINISH		—		REVISE ONLY ON CAD SYSTEM	
適用電線範囲 WIRE RANGE		—		TITLE 名称	
被覆外径 INS. RANGE		—		I.0 FFC Conn NON ZIF SMT ST Embstp Pkg -LEAD FREE-	
DRAWN BY '04/02/19 M.NABEI		CHK'D BY '04/02/19 M.SASAO		DWG. NO. (SHEET 5 OF 6) REV	
APPD BY '04/02/19 M.SASAO		尺 度 SCALE		SD-52808-028 0	

角度 ANGLE	±3°
30 以上 OVER	±0.5
10 以上 30 未満 OVER UNDER	±0.25
10 未満 UNDER	±0.2

新規格作成 RELEASED (J2004-2528)	M.N	04/02/19
記号 LTR	変更内容 REVISION RECORD	日付 DATE
	DR. CHK.	



SECT:Y-Y

SECT:X-X
(SCALE:4-1)

56mm幅キャリアテープ
56mm WIDTH CARRIER TAPE

52808-***70	56	57.5	30.4	33.3	52808-3070	30
MODEL NO.	CARRIER TAPE WIDTH	C	(B)	(A)	MATERIAL NO.	植数 CKT.
			29.4	32.3	52808-2970	29

角度 ANGLE		±3°	材料 MATERIAL SHEET 1 OF 6 参照 REFER TO SHEET 1 OF 6		molex MOLEX-JAPAN CO.,LTD. 日本モレックス株式会社
30以上 OVER	±0.5	仕上げ FINISH		REVISE ONLY ON CAD SYSTEM	
10以上 OVER 30未下 UNDER	±0.25	適用電線範囲 WIRE RANGE		TITLE 名称	
10未下 UNDER	±0.2	被覆外径 INS. RANGE		1.0 FFC Conn NON ZIF SMT ST Embstp Pkg -LEAD FREE-	
一般公差 GENERAL TOLERANCES	記号 LTR	変更内容 REVISION RECORD	DR. CHK.	日付 DATE	DWG. NO. (SHEET 6 OF 6) REV
		① 新規作成 (J2004-2528) RELEASED	M.N. M.S	04/02/19	SD-52808-028 0
				DRAWN BY 04/02/19 M.NABEI CHK'D BY 04/02/19 M.SASAO	
				APP'D BY 04/02/19 M.SASAO 尺度 SCALE	