



Chipsmall Limited consists of a professional team with an average of over 10 year of expertise in the distribution of electronic components. Based in Hongkong, we have already established firm and mutual-benefit business relationships with customers from,Europe,America and south Asia,supplying obsolete and hard-to-find components to meet their specific needs.

With the principle of “Quality Parts,Customers Priority,Honest Operation,and Considerate Service”,our business mainly focus on the distribution of electronic components. Line cards we deal with include Microchip,ALPS,ROHM,Xilinx,Pulse,ON,Everlight and Freescale. Main products comprise IC,Modules,Potentiometer,IC Socket,Relay,Connector.Our parts cover such applications as commercial,industrial, and automotives areas.

We are looking forward to setting up business relationship with you and hope to provide you with the best service and solution. Let us make a better world for our industry!



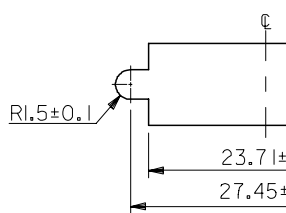
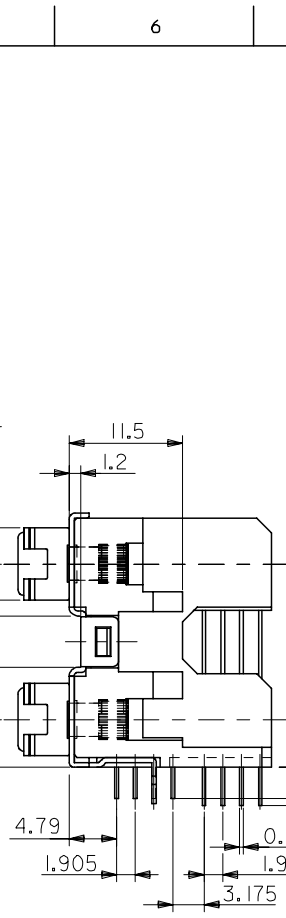
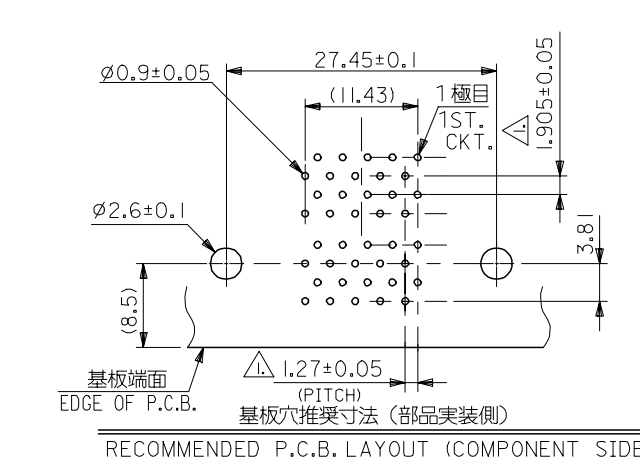
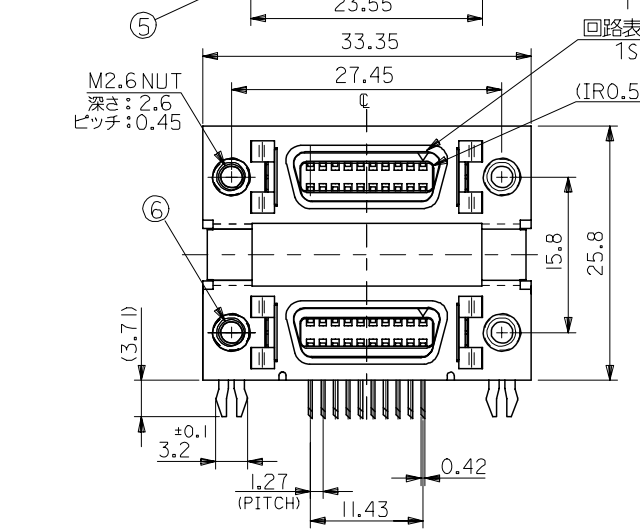
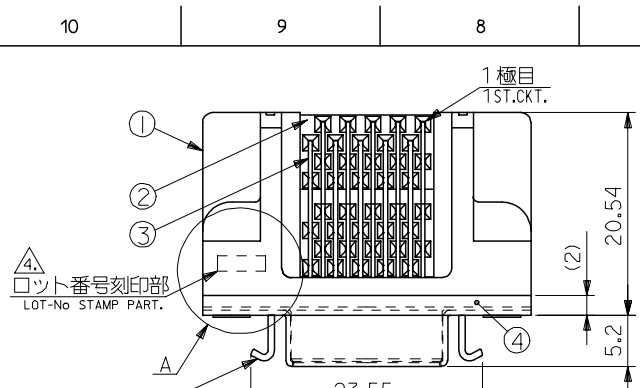
## Contact us

Tel: +86-755-8981 8866 Fax: +86-755-8427 6832

Email & Skype: info@chipsmall.com Web: www.chipsmall.com

Address: A1208, Overseas Decoration Building, #122 Zhenhua RD., Futian, Shenzhen, China





NO.	部品名 PART NAME	材質 MATERIAL	仕上げ FINISH
①	リセプタクル ハウジング RECEPTACLE HOUSING	ガラス入りPBT、黒色、UL94V-0 G.F. PBT, BLACK, UL94V-0	—
②	ガイドプレート GUIDE PLATE	ガラス入りPBT、黒色、UL94V-0 G.F. PBT, BLACK, UL94V-0	—
③	リセプタクル ターミナル RECEPTACLE TERMINAL	りん青銅 PHOSPHOR BRONZE	③
④	シールドカバー SHIELD COVER	鋼材 STEEL	—
⑤	ラッチレシーバー LATCH RECEIVER	鋼材 STEEL	—
⑥	ロックナット LOCK NUT	黄銅 COPPER	—

注記 NOTES.

① 公差非累積  
NON CUMULATIVE TOLERANCE

② 推奨基板厚  
RECOMMENDED P.C.B. THICKNESS : t=1.6±0.2

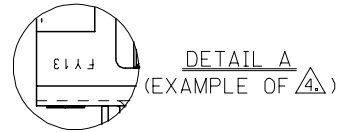
③ ターミナル メッキ仕様  
TERMINAL PLATING  
金メッキ : 0.3 μm MIN. (接点部)  
GOLD : 0.3 μm MIN. (CONTACT AREA)  
錫メッキ : 1.0 μm MIN. (半田付け部)  
TIN : 1.0 μm MIN. (SOLDER AREA)  
ニッケルメッキ : 2.0 μm MIN. (下地メッキ)  
NICKEL : 2.0 μm MIN. (UNDER PLATING)

④ ロット番号刻印内容  
CONTENTS OF LOT-NO STAMP.  
文字の色 : 白  
TEXT COLOR : WHITE  
例: F Y 1 3 (2006年11月13日の場合)  
ex: 日 月 (1~9月: 1~9 10月: X 11月: Y 12月: Z)  
MONTH (Jan-Sep: I-9 Oct: X Nov: Y Dec: Z)  
年度 (アルファベット1文字で製造年の下1桁を表す。上表参照の事。)  
YEAR (With alphabet 1 letter, the lower 1 columns of production year are shown. See chart below)

5. 本製品は52822-4071の鉛フリー品である。  
THIS PRODUCT IS LEAD FREE OF 52822-4071.

製造年 Production year	刻印表記 Haltmark inscription
2006	F
2007	G
2008	H
2009	J
2010	K
2011	A
2012	B
2013	C
2014	D
2015	E
2016	F

以後繰り返し  
From now on repetition



52822-4079	52822-40**
MATERIAL NO.	MODEL NO.

REVISED EC NO: J2007-1029 DR: N. CHIRAMATA CHK: K. TOYODA APPR: N. UKITA	DESCRIPTION A	GENERAL TOLERANCES (UNLESS SPECIFIED)		DIMENSION STYLE MM ONLY		SCALE 2:1	DESIGN UNITS METRIC	THIRD ANGLE PROJECTION	
		10 UNDER	±0.2	DRAWN BY K. SAITO	DATE 2006/09/14	TITLE 1.27 I/O DUAL ASS'Y			
10 OVER 30 UNDER	±0.25	CHECKED BY K. TOYODA	DATE 2006/09/14	-LEAD FREE-					
30 OVER	±0.3	APPROVED BY N. UKITA	DATE 2006/09/14	MOLEX INCORPORATED					
ANGULAR	±1 °	MATERIAL NO.	DOCUMENT NO.	SEE CHART		SD-52822-017	SHEET NO. 1 OF 1		
DRAFT WHERE APPLICABLE MUST REMAIN WITHIN DIMENSIONS		SIZE A3	THIS DRAWING CONTAINS INFORMATION THAT IS PROPRIETARY TO MOLEX INCORPORATED AND SHOULD NOT BE USED WITHOUT WRITTEN PERMISSION						