



Chipsmall Limited consists of a professional team with an average of over 10 year of expertise in the distribution of electronic components. Based in Hongkong, we have already established firm and mutual-benefit business relationships with customers from,Europe,America and south Asia,supplying obsolete and hard-to-find components to meet their specific needs.

With the principle of “Quality Parts,Customers Priority,Honest Operation,and Considerate Service”,our business mainly focus on the distribution of electronic components. Line cards we deal with include Microchip,ALPS,ROHM,Xilinx,Pulse,ON,Everlight and Freescale. Main products comprise IC,Modules,Potentiometer,IC Socket,Relay,Connector.Our parts cover such applications as commercial,industrial, and automotives areas.

We are looking forward to setting up business relationship with you and hope to provide you with the best service and solution. Let us make a better world for our industry!



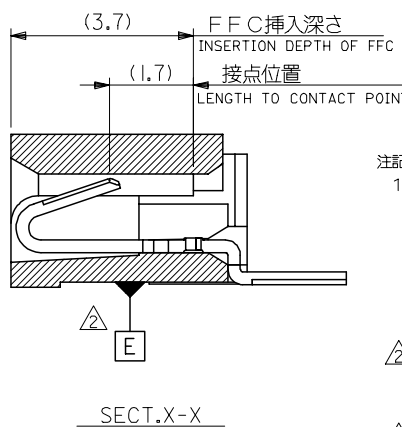
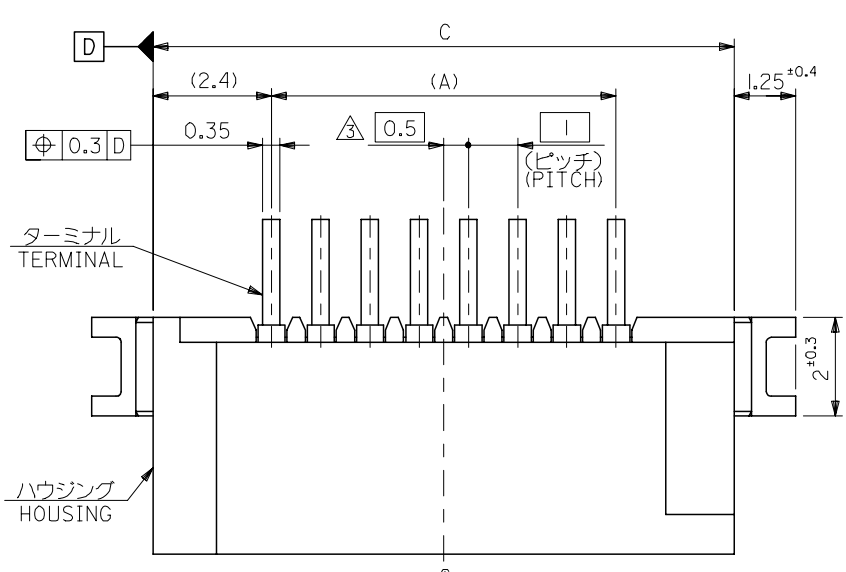
Contact us

Tel: +86-755-8981 8866 Fax: +86-755-8427 6832

Email & Skype: info@chipsmall.com Web: www.chipsmall.com

Address: A1208, Overseas Decoration Building, #122 Zhenhua RD., Futian, Shenzhen, China





注記 NOTES:

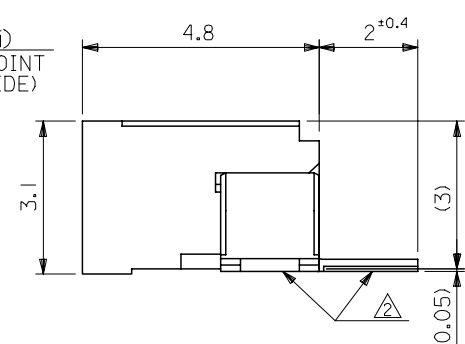
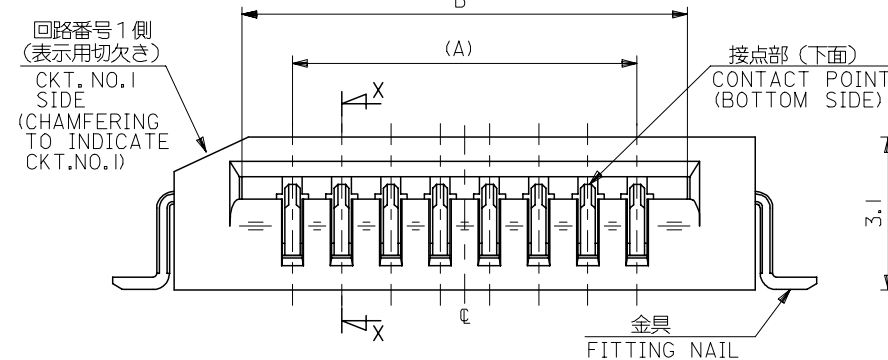
1. 使用材料 MATERIAL
 ハウジング: PPS,UL94V-0 HOUSING : PPS,UL94V-0
 ターミナル: リン青銅 (七=0.25) TERMINAL : PHOSPHOR BRONZE
 メッキ: ニッケル下地 CONTACT AREA : GOLD PLATING
 接点部 金メッキ TAIL AREA : TIN PLATING
 テール部 錫メッキ OVER NICKEL

金具: リン青銅 (七=0.25) FITTING NAIL : PHOSPHOR BRONZE
 メッキ: ニッケル下地錫メッキ PLATING : TIN OVER NICKEL

△2 基準面 E からのソルダータールとフィッティングネイルの半田付け面のズレ量は、
 上方向に0.1MAX. 下方向0.15MAX.とする。
 MISALIGNMENT OF SOLDER TAIL AND FITTING NAIL FROM E
 : UPPER DIRECTION 0.1 MAX. , LOWER DIRECTION 0.15 MAX.

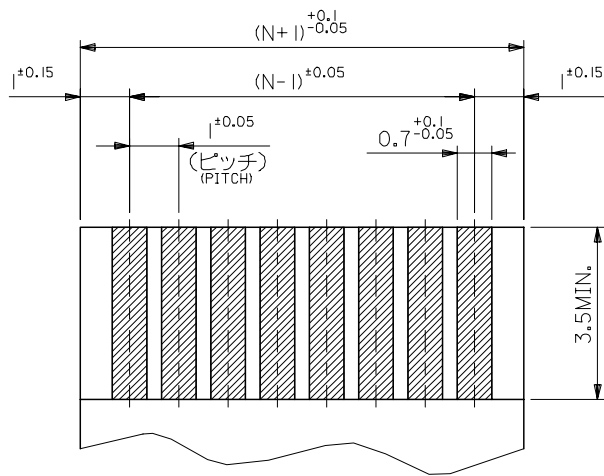
△3 偶数極に適用。
 APPLY FOR EVEN CKT.

4. 本製品は 52852 シリーズの金メッキ品である。
 THIS PRODUCT IS Au PLATING OF 52852 SERIES.



32.8	30.05	28	52852-2971	29
29.8	27.05	25	52852-2671	26
28.8	26.05	24	52852-2571	25
27.8	25.05	23	52852-2471	24
21.8	19.05	17	52852-1871	18
19.8	17.05	15	52852-1671	16
18.8	16.05	14	52852-1571	15
17.8	15.05	13	52852-1471	14
16.8	14.05	12	52852-1371	13
15.8	13.05	11	52852-1271	12
7.8	5.05	3	52852-0471	4
C	B	A	MATERIAL NO.	極数 CIRCUIT

REVISED EC NO: J2008-1336 DRWN: NABE1 2007/10/17 CHKD: THARUYAMA 2007/10/22 APPR: NUKITA 2007/10/24	GENERAL TOLERANCES (UNLESS SPECIFIED)		DIMENSION STYLE MM ONLY		SCALE ---	DESIGN UNIT'S METRIC	THIRD ANGLE PROJECTION
	10 UNDER	±0.2	DRAWN BY M. NABE1	DATE '05/08/23	TITLE 1.0 FFC CONN NON ZIF SMT RA (BOTTOM CONTACT) -LEAD FREE-		
	10 OVER 30 UNDER	±0.25	CHECKED BY K. TOYODA	DATE '05/08/23	MOLEX INCORPORATED		
	30 OVER	±0.3	APPROVED BY N. UKITA	DATE '05/08/23	MATERIAL NO. SEE TABLE	DOCUMENT NO. SD-52852-012	SHEET NO. 1 OF 2
	ANGULAR ±3 °	DRAFT WHERE APPLICABLE MUST REMAIN WITHIN DIMENSIONS		THIS DRAWING CONTAINS INFORMATION THAT IS PROPRIETARY TO MOLEX INCORPORATED AND SHOULD NOT BE USED WITHOUT WRITTEN PERMISSION			



(仕上がり厚さ) $0.3^{+0.03}$
THICKNESS
適合 FPC/FFC 推奨寸法
APPLICABLE FPC/FFC
RECOMMENDED DIMENSION.

FPC/FFCについて:

打抜き方向は導体側から補強板側を推奨いたします。

ABOUT FPC/FFC

RECOMMENDED PUNCHER DIRECTION : FROM CONDUCTOR SIDE TO STIFFENER FILM SIDE.

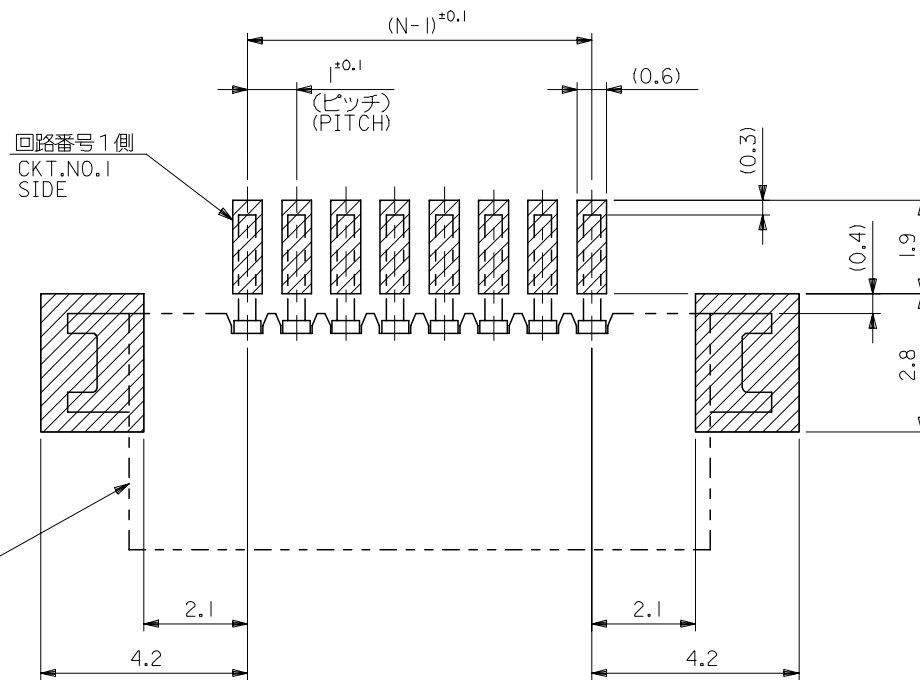
FPCについて:

補強フィルム材質はポリイミドを推奨します。

接着剤は熱硬化接着剤を推奨します。

ABOUT FPC

RECOMMENDED MATERIAL :
STIFFENER FILM : POLYIMIDE
BONDING AGENT : THERMOSETTING BONDING AGENT

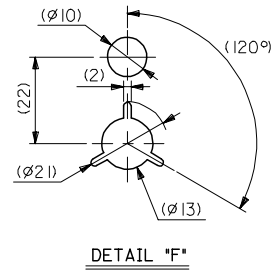
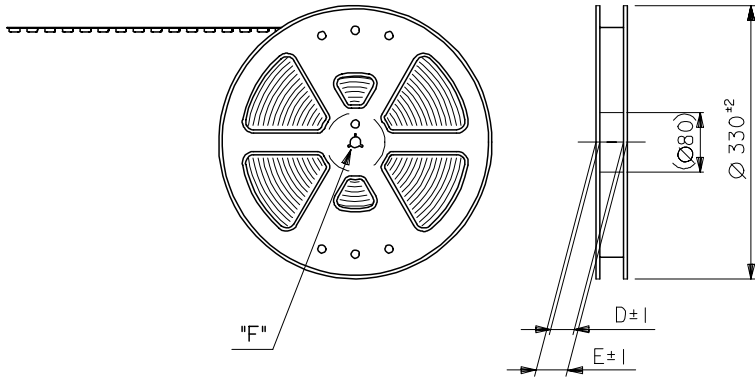


参考基板レイアウト (マウント面)

RECOMMENDED P.C.BOARD
PATTERN DIMENSION. (REF.)
(MOUNTING AREA)

REVISED EC NO: J2008-1336 DRAWN BY: M.NABEI 2007/10/17 CHKD: THARUYAMA 2007/10/22 APPR: NUKITA 2007/10/24	GENERAL TOLERANCES (UNLESS SPECIFIED)		DIMENSION STYLE MM ONLY		SCALE ---	DESIGN UNITS METRIC	MODEL NO. 52852-**71	THIRD ANGLE PROJECTION
	10 UNDER	±0.2	DRAWN BY M.NABEI	DATE '05/08/23	TITLE 1.0 FFC CONN NON ZIF SMT RA (BOTTOM CONTACT) -LEAD FREE-			
	10 OVER 30 UNDER	±0.25	CHECKED BY K.TOYODA	DATE '05/08/23	MOLEX INCORPORATED			
	30 OVER	±0.3	APPROVED BY N.NUKITA	DATE '05/08/23	DOCUMENT NO. SD-52852-012			
	ANGULAR ±3 °	DRAFT WHERE APPLICABLE MUST REMAIN WITHIN DIMENSIONS		MATERIAL NO. SEE TABLE	SHEET NO. 2 OF 2			
		SIZE A3		THIS DRAWING CONTAINS INFORMATION THAT IS PROPRIETARY TO MOLEX INCORPORATED AND SHOULD NOT BE USED WITHOUT WRITTEN PERMISSION				

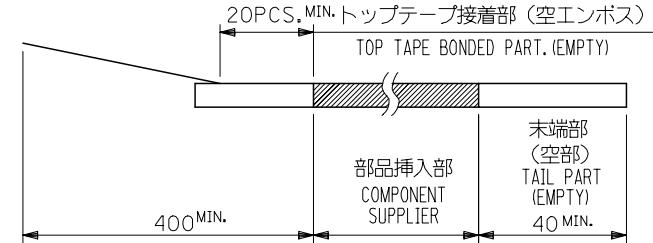
引き出し方向
PULL OUT DIRECTION



NOTES

- 製品詳細寸法については図面 SD-52852-012 を参照下さい。
RE DETAILED DIMENSION, SEE SD-52852-012.
- 梱包数量：1000個/リール
NUMBER OF CONNECTORS：1000PCS/REEL
- リードテープ長さ LEAD TAPE LENGTH
20PCS. MIN. トップテープ接着部 (空エンボス)
TOP TAPE BONDED PART. (EMPTY)
400 MIN.
部品挿入部
COMPONENT SUPPLIER
末端部 (空部)
TAIL PART (EMPTY)
40 MIN.
- 材料 (MATERIAL)
キャリアテープ (CARRIER TAPE)：ポリプロピレン (POLYPROPYLENE)
トップテープ (TOP TAPE)：PET, PE, PEF
リール (REEL)：ポリスチレン (P.S.) <リサイクル材を含む>
POLYSTYRENE (P.S.) <RECYCLE MATERIAL CONTAINED>
- 本製品は 52852 シリーズの全メッキ品である。
THIS PRODUCT IS Au PLATING OF 52852 SERIES.

引き出し方向
PULL OUT DIRECTION



REVISED EC NO: J2008-1336 DRWN: NABEI 2007/10/17 CHKD: THARUYAMA 2007/10/22 APPR: NUKITA 2007/10/24	GENERAL TOLERANCES (UNLESS SPECIFIED)		DIMENSION STYLE MM ONLY		SCALE ---	52852-**72	MODEL NO.
	10 UNDER	±0.2	DRAWN BY M. NABEI	DATE '05/08/23	TITLE	DESIGN UNITS METRIC	THIRD ANGLE PROJECTION
	10 OVER 30 UNDER	±0.25	CHECKED BY K. TOYODA	DATE '05/08/23	1.0 FPC CONN NON ZIF SMT RA BOTTOM CONTACT EMBSTP -LEAD FREE- MOLEX INCORPORATED		
	30 OVER	±0.3	APPROVED BY N. UKITA	DATE '05/08/23		DOCUMENT NO. SD-52852-013	SHEET NO. 1 OF 5
ANGULAR ±3 °		MATERIAL NO. SEE TABLE					
DRAFT WHERE APPLICABLE MUST REMAIN WITHIN DIMENSIONS		SIZE A3		THIS DRAWING CONTAINS INFORMATION THAT IS PROPRIETARY TO MOLEX INCORPORATED AND SHOULD NOT BE USED WITHOUT WRITTEN PERMISSION			

10 9 8 7 6 5 4 3 2 1

F

E

D

C

B

A

F

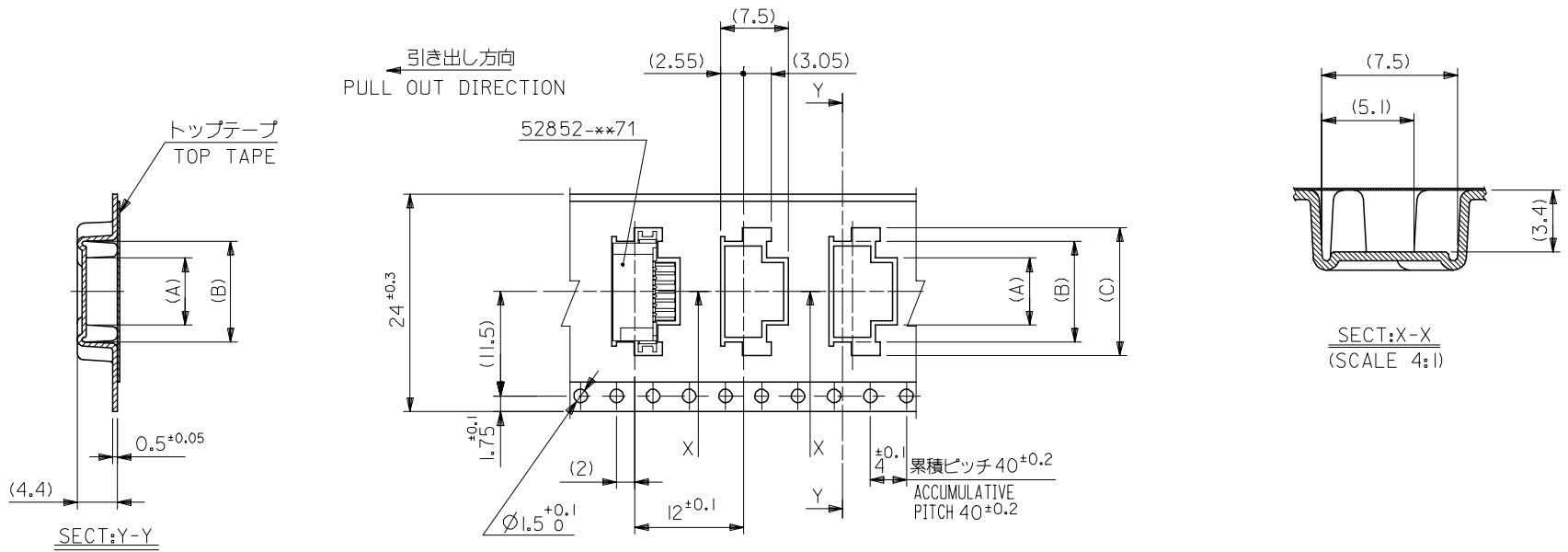
E

D

C

B

A



24mm幅キャリアテープ
24mm WIDTH CARRIER TAPE

24	29.4	25.4	11.1	8.1	4.4	52852-0472	4
キャリアテープ幅 CARRIER TAPE WIDTH	E	D	(C)	(B)	(A)	MATERIAL NO.	極致 CKT.

52852-**72 MODEL NO.

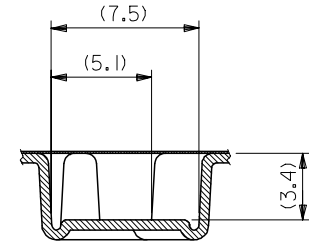
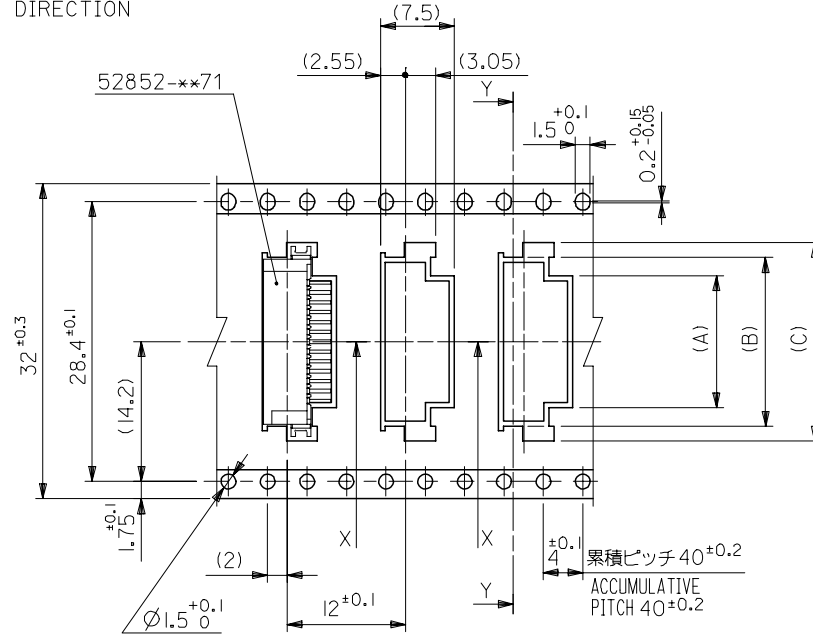
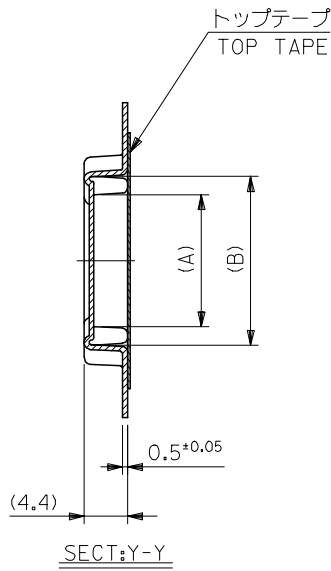
REVISED EC NO: J2008-1336 DRWN: NABE1 2007/10/17 CHKD: THARUYAMA 2007/10/22 APPR: NUKITA 2007/10/24	GENERAL TOLERANCES (UNLESS SPECIFIED)		DIMENSION STYLE MM ONLY		SCALE ---	DESIGN UNITS METRIC	THIRD ANGLE PROJECTION
	10 UNDER	±0.2	DRAWN BY M. NABE1	DATE '05/08/23	TITLE 1.0 FPC CONN NON ZIF SMT RA BOTTOM CONTACT EMBSTP -LEAD FREE-		
	10 OVER 30 UNDER	±0.25	CHECKED BY K. TOYODA	DATE '05/08/23	MOLEX INCORPORATED		
	30 OVER	±0.3	APPROVED BY N. UKITA	DATE '05/08/23	DOCUMENT NO. SD-52852-013		
	ANGULAR	±3 °	MATERIAL NO. SEE TABLE		SHEET NO. 2 OF 5		
DRAFT WHERE APPLICABLE MUST REMAIN WITHIN DIMENSIONS		SIZE A3		THIS DRAWING CONTAINS INFORMATION THAT IS PROPRIETARY TO MOLEX INCORPORATED AND SHOULD NOT BE USED WITHOUT WRITTEN PERMISSION			

10 9 8 7 6 5 4 3 2 1

F
E
D
C
B
A

F
E
D
C
B
A

引き出し方向
PULL OUT DIRECTION



SECT:X-X
(SCALE 4:1)

32mm幅キャリアテープ
32mm WIDTH CARRIER TAPE

32	33.7	33.4	23.1	20.1	16.4	52852-1672	16
			22.1	19.1	15.4	52852-1572	15
			21.1	18.1	14.4	52852-1472	14
			20.1	17.1	13.4	52852-1372	13
			19.1	16.1	12.4	52852-1272	12
キャリアテープ幅 CARRIER TAPE WIDTH	E	D	(C)	(B)	(A)	MATERIAL NO.	極致 CKT.

REVISED EC NO: J2008-1336 DRWN: NABE I 2007/10/17 CHKD: THARUYAMA 2007/10/22 APPR: NUKITA 2007/10/24	GENERAL TOLERANCES (UNLESS SPECIFIED)		DIMENSION STYLE MM ONLY		SCALE ---	DESIGN UNITS METRIC	THIRD ANGLE PROJECTION
	10 UNDER	±0.2	DRAWN BY M. NABE I	DATE '05/08/23	TITLE 1.0 FPC CONN NON ZIF SMT RA BOTTOM CONTACT EMBSTP -LEAD FREE-		
	10 OVER 30 UNDER	±0.25	CHECKED BY K. TOYODA	DATE '05/08/23	MOLEX INCORPORATED		
	30 OVER	±0.3	APPROVED BY N. UKITA	DATE '05/08/23	MATERIAL NO. SEE TABLE	DOCUMENT NO. SD-52852-013	SHEET NO. 3 OF 5
	ANGULAR	±3 °	DRAFT WHERE APPLICABLE MUST REMAIN WITHIN DIMENSIONS		THIS DRAWING CONTAINS INFORMATION THAT IS PROPRIETARY TO MOLEX INCORPORATED AND SHOULD NOT BE USED WITHOUT WRITTEN PERMISSION		

10 9 8 7 6 5 4 3 2 1

F

E

D

C

B

A

F

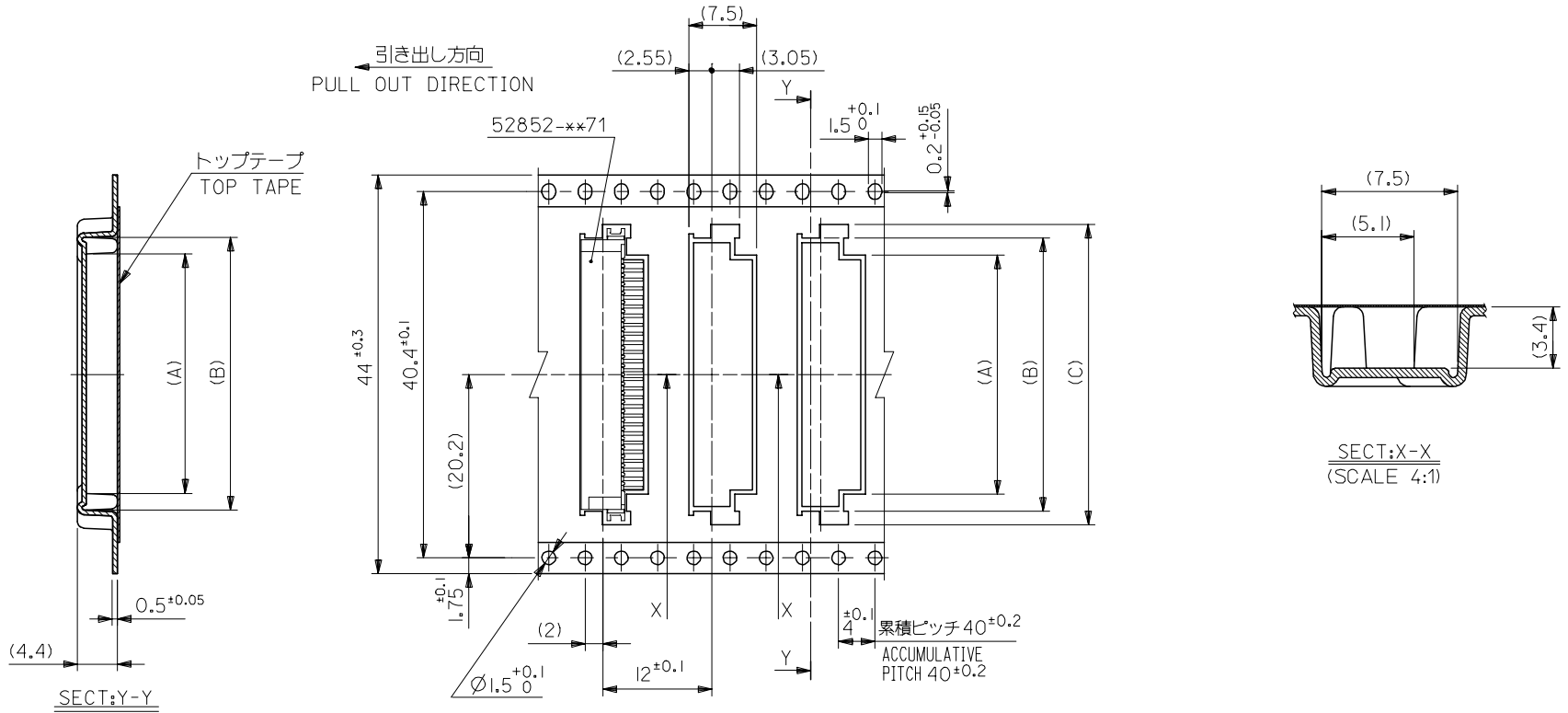
E

D

C

B

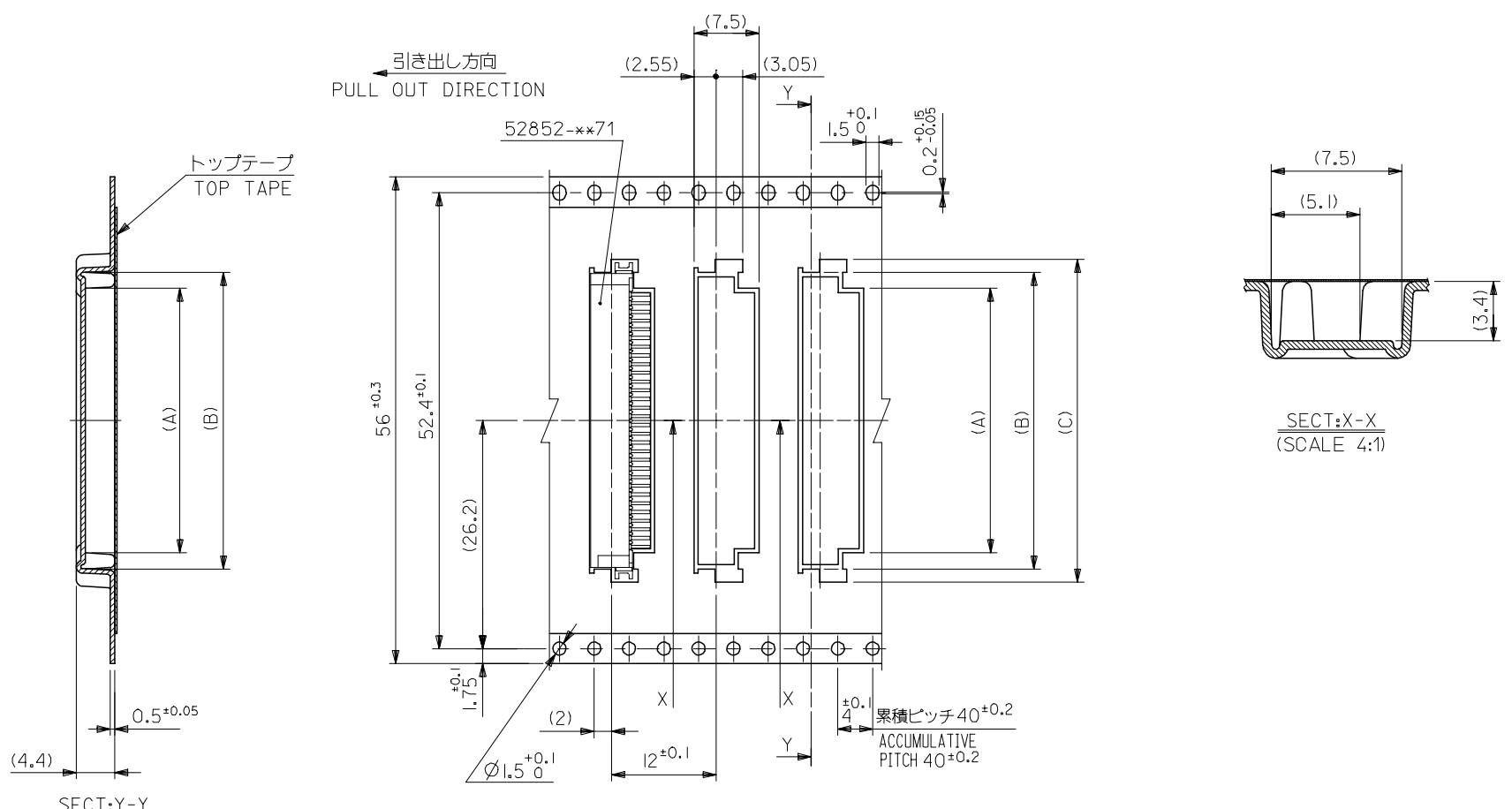
A



44mm幅キャリアテープ
44mm WIDTH CARRIER TAPE

44	49.5	45.5	33.1	30.1	26.4	52852-2672	26
			32.1	29.1	25.4	52852-2572	25
			31.1	28.1	24.4	52852-2472	24
			25.1	22.1	18.4	52852-1872	18
キャリアテープ幅 CARRIER TAPE WIDTH	E	D	(C)	(B)	(A)	MATERIAL NO.	極数 CKT.

REVISED EC NO: J2008-1336 DRWN: NABE I 2007/10/17 CHKD: THARUYAMA 2007/10/22 APPR: NUKITA 2007/10/24	GENERAL TOLERANCES (UNLESS SPECIFIED)		DIMENSION STYLE MM ONLY		SCALE ---	DESIGN UNITS METRIC	THIRD ANGLE PROJECTION
	10 UNDER	±0.2	DRAWN BY M. NABE I	DATE '05/08/23	TITLE 1.0 FPC CONN NON ZIF SMT RA BOTTOM CONTACT EMBSTP -LEAD FREE-		
	10 OVER 30 UNDER	±0.25	CHECKED BY K. TOYODA	DATE '05/08/23	MOLEX INCORPORATED DOCUMENT NO. SD-52852-013 SHEET NO. 4 OF 5		
	30 OVER	±0.3	APPROVED BY N. UKITA	DATE '05/08/23			
	ANGULAR	±3 °	MATERIAL NO. SEE TABLE				
DRAFT WHERE APPLICABLE MUST REMAIN WITHIN DIMENSIONS		SIZE A3		THIS DRAWING CONTAINS INFORMATION THAT IS PROPRIETARY TO MOLEX INCORPORATED AND SHOULD NOT BE USED WITHOUT WRITTEN PERMISSION			



56mm幅キャリアテープ
56mm WIDTH CARRIER TAPE

56	61.4	57.4	36.1	33.1	29.4	52852-2972	29
キャリアテープ幅 CARRIER TAPE WIDTH	E	D	(C)	(B)	(A)	MATERIAL NO.	極数 CKT.
						52852-xx72	MODEL NO.

REVISED EC NO: J2008-1336 DRWN: NABE I 2007/10/17 CHKD: THARUYAMA 2007/10/22 APPR: NUKITA 2007/10/24	GENERAL TOLERANCES (UNLESS SPECIFIED)		DIMENSION STYLE MM ONLY		SCALE ---	DESIGN UNITS METRIC	THIRD ANGLE PROJECTION
	10 UNDER	±0.2	DRAWN BY M. NABE I	DATE '05/08/23	TITLE 1.0 FPC CONN NON ZIF SMT RA BOTTOM CONTACT EMBSTP -LEAD FREE-		
	10 OVER 30 UNDER	±0.25	CHECKED BY K. TOYODA	DATE '05/08/23	MOLEX INCORPORATED		
	30 OVER	±0.3	APPROVED BY N. UKITA	DATE '05/08/23	DOCUMENT NO. SD-52852-013		
	ANGULAR	±3 °	MATERIAL NO. SEE TABLE		SHEET NO. 5 OF 5		
DRAFT WHERE APPLICABLE MUST REMAIN WITHIN DIMENSIONS		SIZE A3		THIS DRAWING CONTAINS INFORMATION THAT IS PROPRIETARY TO MOLEX INCORPORATED AND SHOULD NOT BE USED WITHOUT WRITTEN PERMISSION			