



Chipsmall Limited consists of a professional team with an average of over 10 year of expertise in the distribution of electronic components. Based in Hongkong, we have already established firm and mutual-benefit business relationships with customers from,Europe,America and south Asia,supplying obsolete and hard-to-find components to meet their specific needs.

With the principle of “Quality Parts,Customers Priority,Honest Operation,and Considerate Service”,our business mainly focus on the distribution of electronic components. Line cards we deal with include Microchip,ALPS,ROHM,Xilinx,Pulse,ON,Everlight and Freescale. Main products comprise IC,Modules,Potentiometer,IC Socket,Relay,Connector.Our parts cover such applications as commercial,industrial, and automotives areas.

We are looking forward to setting up business relationship with you and hope to provide you with the best service and solution. Let us make a better world for our industry!



Contact us

Tel: +86-755-8981 8866 Fax: +86-755-8427 6832

Email & Skype: info@chipsmall.com Web: www.chipsmall.com

Address: A1208, Overseas Decoration Building, #122 Zhenhua RD., Futian, Shenzhen, China



F

E

D

C

B

A

F

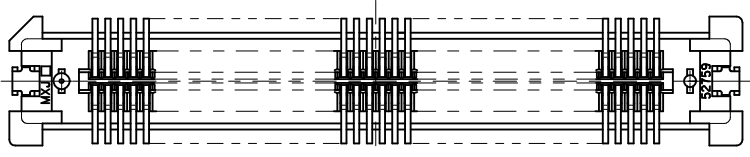
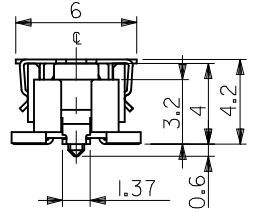
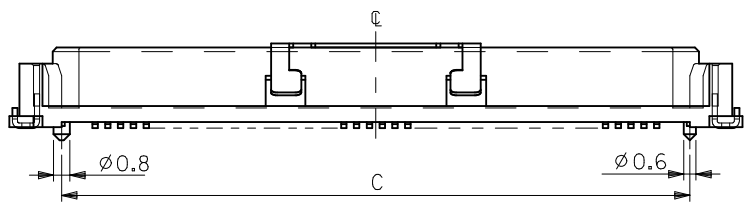
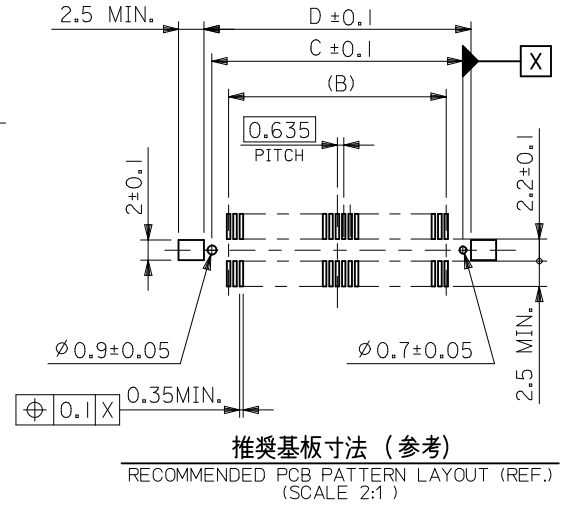
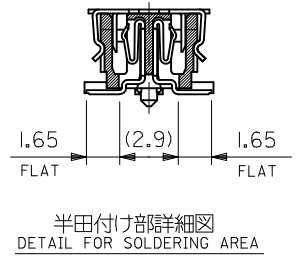
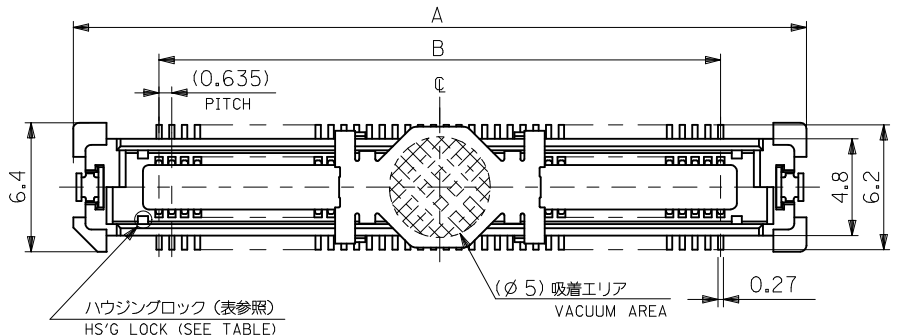
E

D

C

B

A



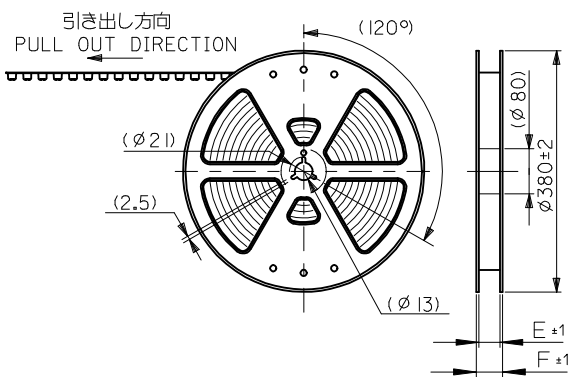
注) NOTES

- 材質 MATERIAL
ハウジング: ガラス入りLCP, 白色, UL94V-0
HOUSING: G.F.LCP, WHITE, UL94V-0
ターミナル: 銅合金 (t = 0.2)
TERMINAL: COPPER ALLOY
吸着カバー: ステンレス (t = 0.2)
VACUUM COVER: STAINLESS STEEL
補強金具: 銅合金 (t = 0.25)
FITTING NAIL: COPPER ALLOY
- メッキ仕様 PLATING
ターミナル: 接点部: 金メッキ 0.25 マイクロメートル以上
CONTACT AREA: GOLD 0.25 MICROMETER MINIMUM
半田付け部: 錫メッキ 1.0 マイクロメートル以上
SOLDER TAIL AREA: TIN 1.0 MICROMETER MINIMUM
下地メッキ: ニッケルメッキ 1.5 マイクロメートル以上
UNDER-PLATING: NICKEL 1.5 MICROMETER MINIMUM
補強金具: 錫メッキ 1.0 マイクロメートル以上
FITTING NAIL: TIN 1.0 MICROMETER MINIMUM
下地メッキ: ニッケルメッキ 1.0 マイクロメートル以上
UNDER-PLATING: NICKEL 1.0 MICROMETER MINIMUM

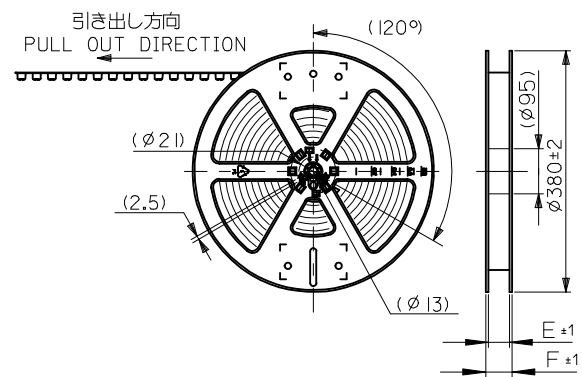
- テールのバラツキ寸法 TAIL COPLANARITY
240極以下品のテール平坦度は0.1MAX.、
240極品のテール平坦度は0.12MAX.とする。
TAILS COPLANARITY TO BE 0.1MAX.
IN 240 CIRCUITS, TAILS COPLANARITY TO BE 0.12MAX.
- エンボス対応済みの極数については、SD-52885-004を参照下さい。
FOR THE EMBOSSED PACKAGE PRODUCTS, SEE SD-52885-004.

無し NO	80.47	78.87	75.565	84.07	52885-2474	240
	67.77	66.17	62.865	71.37	52885-2074	200
	55.07	53.47	50.165	58.67	52885-1674	160
	48.72	47.12	43.815	52.32	52885-1474	140
	42.37	40.77	37.465	45.97	52885-1274	120
	36.02	34.42	31.115	39.62	52885-1074	100
	32.85	31.25	27.94	36.45	-0974	90
29.67	28.07	24.765	33.27	-0874	80	
有り YES	26.5	24.9	21.59	30.1	-0774	70
	23.32	21.72	18.415	26.92	-0674	60
	20.15	18.55	15.24	23.75	-0574	50
	16.97	15.37	12.065	20.57	-0474	40
	13.8	12.2	8.89	17.4	-0374	30
	10.62	9.02	5.715	14.22	52885-0274	20
ハウジングロック HS'G LOCK	D	C	B	A	エンボス梱包 EMBOSSED PACKAGING	極数 CKT. NO.
CONNECTORS SERIES No.					52885-***72	

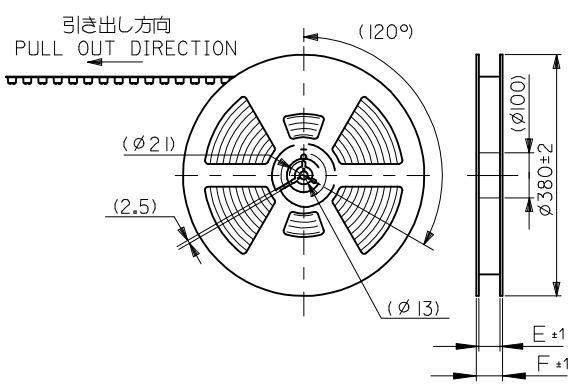
REVISED EC NO: J2010-2458 DRWN: KAIHO 2010/06/04 CHKD: T. JO 2010/06/10 APPR: MSASAO 2010/06/11	DESCRIPTION REV	GENERAL TOLERANCES (UNLESS SPECIFIED)		DIMENSION STYLE MM ONLY		SCALE ---		DESIGN UNITS METRIC		THIRD ANGLE PROJECTION		
		10 UNDER	± 0.2	DRAWN BY M. NAGATA	DATE 2004/02/25	TITLE 0.635 PITCH B TO B S/T REC. HSG ASSY -LEAD FREE-						
		10 OVER 30 UNDER	± 0.25	CHECKED BY K. TOJO	DATE 2004/02/25	MOLEX INCORPORATED						
		30 OVER	± 0.3	APPROVED BY M. SASAO	DATE 2004/02/25							
		ANGULAR ± 3 °		DRAFT WHERE APPLICABLE MUST REMAIN WITHIN DIMENSIONS		MATERIAL NO. SEE CHART		DOCUMENT NO. SD-52885-003		SHEET NO. 1 OF 1		
THIS DRAWING CONTAINS INFORMATION THAT IS PROPRIETARY TO MOLEX INCORPORATED AND SHOULD NOT BE USED WITHOUT WRITTEN PERMISSION												



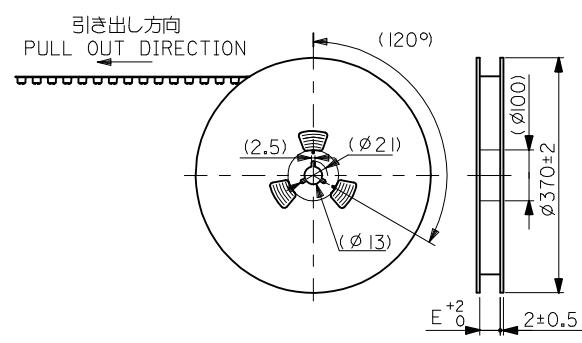
キャリアテープ幅：24mm～56mm
CARRIER TAPE WIDTH : 24mm-56mm



キャリアテープ幅：72mm
CARRIER TAPE WIDTH : 72mm



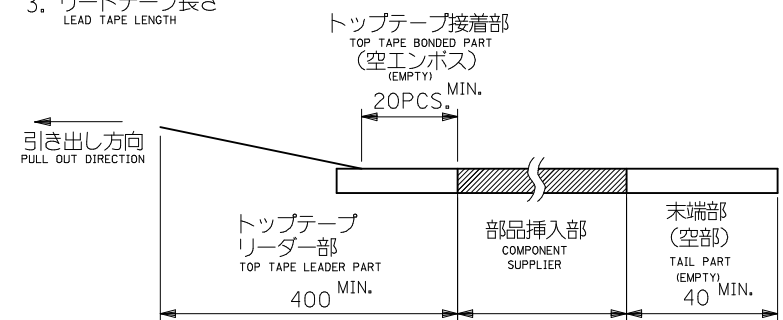
キャリアテープ幅：88mm
CARRIER TAPE WIDTH : 88mm



キャリアテープ幅：104mm
CARRIER TAPE WIDTH : 104mm

注)
NOTES

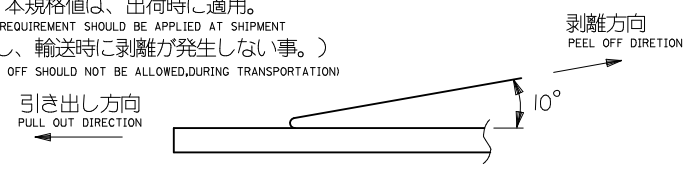
- 製品番号 52885-**72 の詳細寸法については SD-52885-003 を参照下さい。
IN THE PACKAGE , PART NO. 52885-**72 DETAILED DIMENSIONS , SEE SD-52885-003
- 梱包数量 : 1,000個/リール
NUMBER OF CONNECTORS : 1000 PCS/REEL
- リードテープ長さ
LEAD TAPE LENGTH



- トップテープの剥離強度 (剥離方向は下図参照)
PEELING OFF FORCE OF TOP TAPE (PEELING DIRECTION AS SHOWN IN FOLLOWING FIG.)

0.1~0.3N {10~130gf}

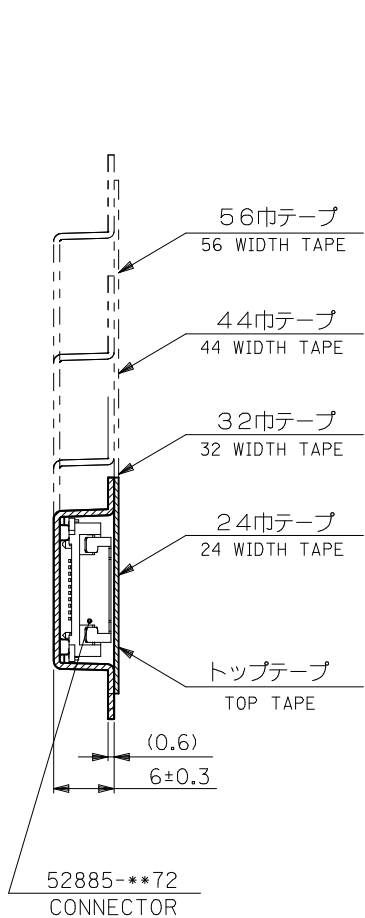
尚、本規格値は、出荷時に適用。
THIS REQUIREMENT SHOULD BE APPLIED AT SHIPMENT
(但し、輸送時に剥離が発生しない事。)
(PEEL OFF SHOULD NOT BE ALLOWED, DURING TRANSPORTATION)



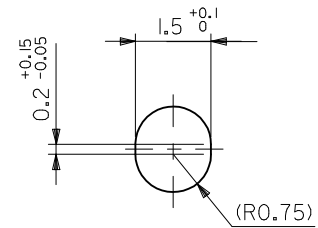
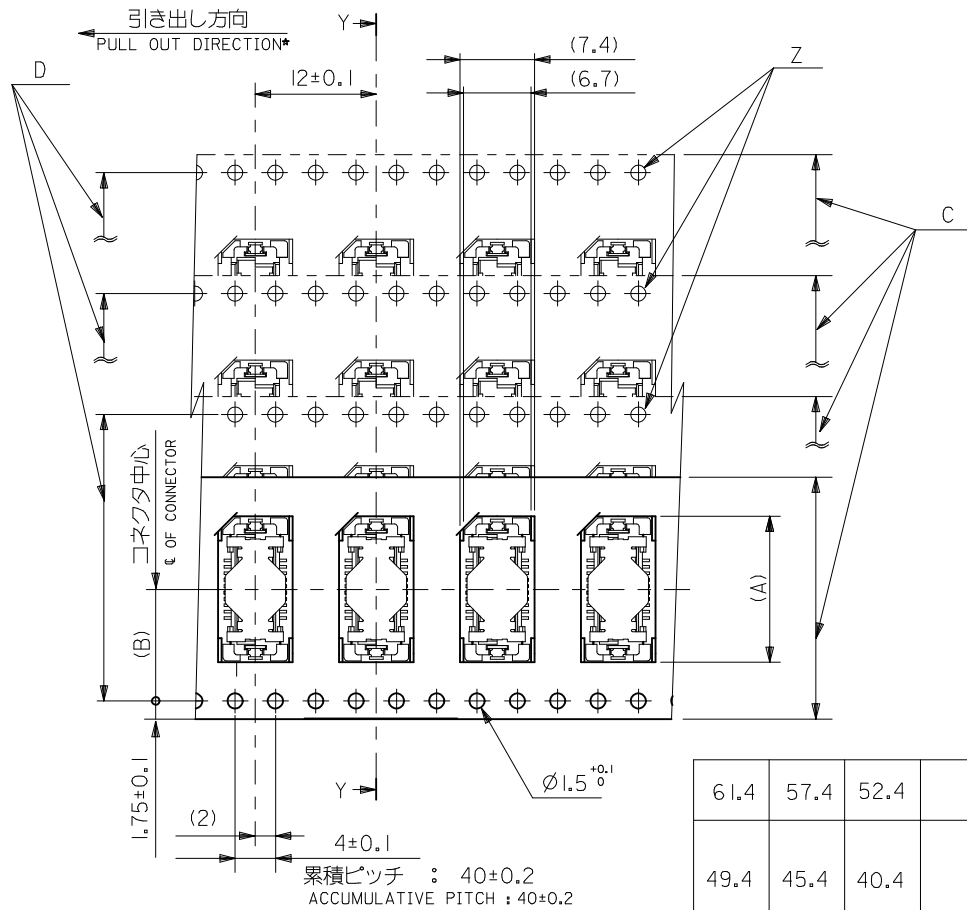
- 材料

MATERIAL
キャリアテープ : ポリプロピレン (PP)
CARRIER TAPE : POLYPROPYLENE (PP)
トップテープ : PET, PE, PEF
TOP TAPE : PET, PE, PEF
リール : キャリアテープ幅 24mm~88mm : ポリスチレン
REEL : CARRIER TAPE WIDTH 24mm-88mm : POLYSTYRENE
キャリアテープ幅 104mm : 紙
CARRIER TAPE WIDTH 104mm : CARD BOARD

REVISED EC NO: J2013-1187 DRWN:TKAIHO 2013/04/18 CHKD:TASAKAWA 2013/04/18 APPR:MSASAO 2013/04/19	DESCRIPTION	GENERAL TOLERANCES (UNLESS SPECIFIED)		DIMENSION STYLE		CONNECTOR SERIES No.		52885-**72		
				MM ONLY		SCALE	DESIGN UNITS	THIRD ANGLE PROJECTION		
		10 UNDER ± ---		DRAWN BY DATE		TITLE		52885-**72 TAPING PACKAGE -LEAD FREE- molex		
		10 OVER 30 UNDER ± ---		M. NAGATA 2004/02/25						
30 OVER ± ---		CHECKED BY DATE		APPROVED BY DATE		DOCUMENT NO.		SHEET NO.		
		ANGULAR ± --- °		M. SASAO 2004/02/25		SD-52885-004		1 OF 3		
DRAFT WHERE APPLICABLE MUST REMAIN WITHIN DIMENSIONS		SIZE		MATERIAL NO.		THIS DRAWING CONTAINS INFORMATION THAT IS PROPRIETARY TO MOLEX INCORPORATED AND SHOULD NOT BE USED WITHOUT WRITTEN PERMISSION				
		A3		SEE TABLE						



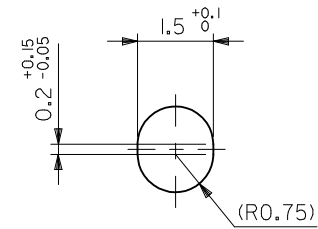
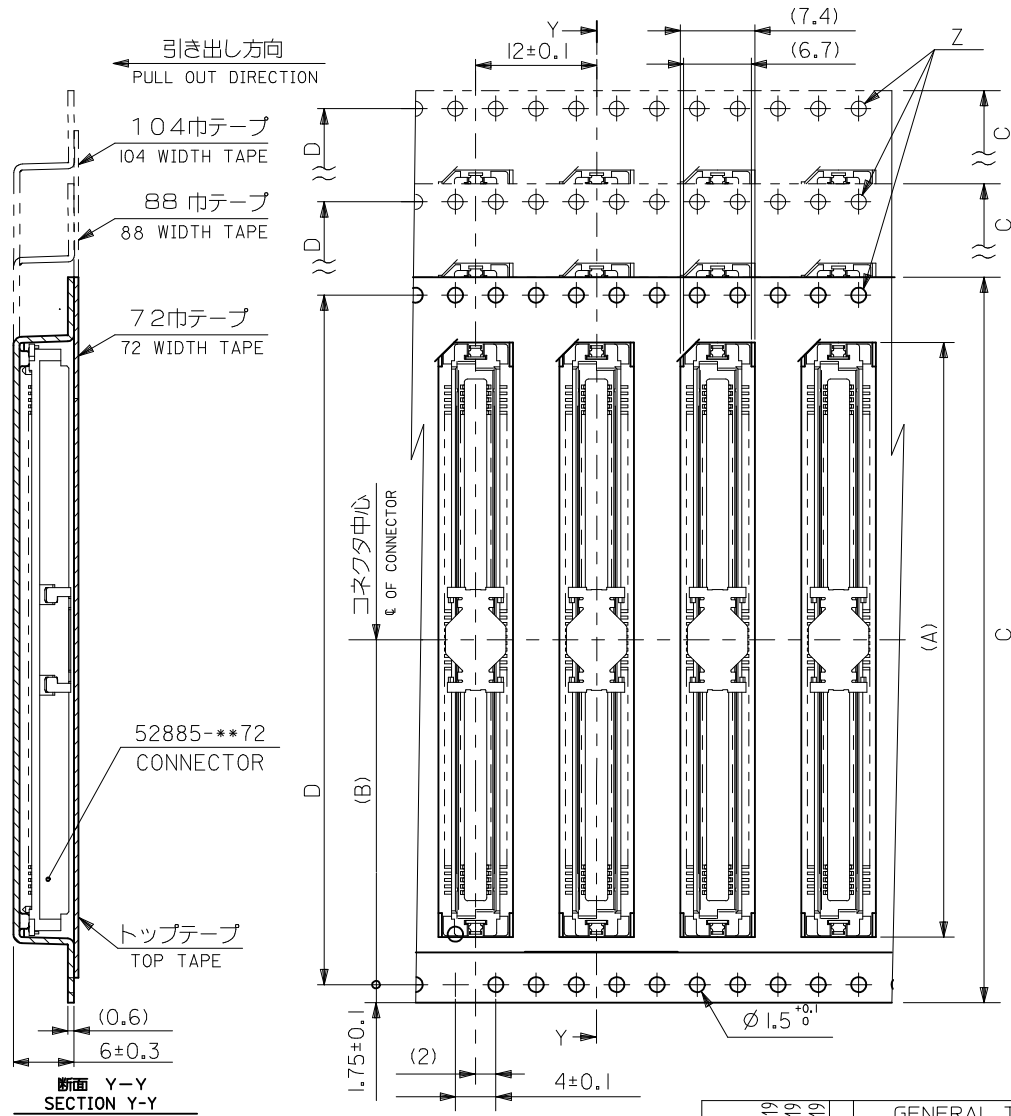
断面 Y-Y
SECTION Y-Y



Z部詳細
DETAIL Z

61.4	57.4	52.4	56 ^{+0.3}	26.2	39.9	52885-1074	100
					36.8	-0974	90
49.4	45.4	40.4	44 ^{+0.3}	20.2	33.6	-0874	80
					30.4	-0774	70
					27.2	-0674	60
					24.1	-0574	50
37.4	33.4	28.4	32 ^{+0.3}	14.2	20.9	-0474	40
					17.7	-0374	30
29.4	25.4	—	24 ^{+0.3}	11.5	14.5	52885-0274	20
F	E	D	C	キャリアテープ幅 CARRIER TAPE WIDTH	(B)	(A)	MATERIAL NO. 極致 CKT.NO.

REVISED EC NO.: J2013-1187 DRWN:TKAIHO 2013/04/19 CHKD:TASAKAWA 2013/04/19 APPR:MSASAO 2013/04/19	GENERAL TOLERANCES (UNLESS SPECIFIED)		DIMENSION STYLE MM ONLY		CONNECTOR SERIES No. 52885-***72
	10 UNDER	± ---	DRAWN BY M. NAGATA	DATE 2004/02/25	SCALE ---
	10 OVER 30 UNDER	± ---	CHECKED BY K. TOJO	DATE 2004/02/25	DESIGN UNITS METRIC
	30 OVER	± ---	APPROVED BY M. SASAO	DATE 2004/02/25	THIRD ANGLE PROJECTION
	ANGULAR ± --- °	MATERIAL NO.		DOCUMENT NO.	
	DRAFT WHERE APPLICABLE MUST REMAIN WITHIN DIMENSIONS	SEE TABLE		52885-***72 TAPING PACKAGE -LEAD FREE- molex	
		SIZE A3	THIS DRAWING CONTAINS INFORMATION THAT IS PROPRIETARY TO MOLEX INCORPORATED AND SHOULD NOT BE USED WITHOUT WRITTEN PERMISSION		



Z部詳細
DETAIL Z

104.4	100.4	104±0.3	50.2	84.4	52885-2474	240
88.4	84.4	88±0.3	42.2	71.7	52885-2074	200
72.4	68.4	72±0.3	34.2	59.0	52885-1674	160
				52.6	52885-1474	140
				46.3	52885-1274	120
E	D	C	キャリアテープ幅 CARRIER TAPE WIDTH	(B)	(A)	MATERIAL NO. 種数 CMT.No.

REVISED EC NO: J2013-1187 DRWN:TKAIHO 2013/04/19 CHKD:TASAKAWA 2013/04/19 APPR:MSASAO 2013/04/19	GENERAL TOLERANCES (UNLESS SPECIFIED)		DIMENSION STYLE MM ONLY		CONNECTOR SERIES No. 52885-**72	
	10 UNDER	±---	DRAWN BY M. NAGATA	DATE 2004/02/25	SCALE ---	DESIGN UNITS METRIC
	10 OVER 30 UNDER	±---	CHECKED BY K. TOJO	DATE 2004/02/25	TITLE 52885-**72 TAPING PACKAGE -LEAD FREE-	
	30 OVER	±---	APPROVED BY M. SASAO	DATE 2004/02/25	THIRD ANGLE PROJECTION	
ANGULAR ±---°		DRAFT WHERE APPLICABLE MUST REMAIN WITHIN DIMENSIONS		MATERIAL NO. SEE TABLE		DOCUMENT NO. SD-52885-004
SIZE A3		THIS DRAWING CONTAINS INFORMATION THAT IS PROPRIETARY TO MOLEX INCORPORATED AND SHOULD NOT BE USED WITHOUT WRITTEN PERMISSION				SHEET NO. 3 OF 3