



Chipsmall Limited consists of a professional team with an average of over 10 year of expertise in the distribution of electronic components. Based in Hongkong, we have already established firm and mutual-benefit business relationships with customers from,Europe,America and south Asia,supplying obsolete and hard-to-find components to meet their specific needs.

With the principle of “Quality Parts,Customers Priority,Honest Operation,and Considerate Service”,our business mainly focus on the distribution of electronic components. Line cards we deal with include Microchip,ALPS,ROHM,Xilinx,Pulse,ON,Everlight and Freescale. Main products comprise IC,Modules,Potentiometer,IC Socket,Relay,Connector.Our parts cover such applications as commercial,industrial, and automotives areas.

We are looking forward to setting up business relationship with you and hope to provide you with the best service and solution. Let us make a better world for our industry!



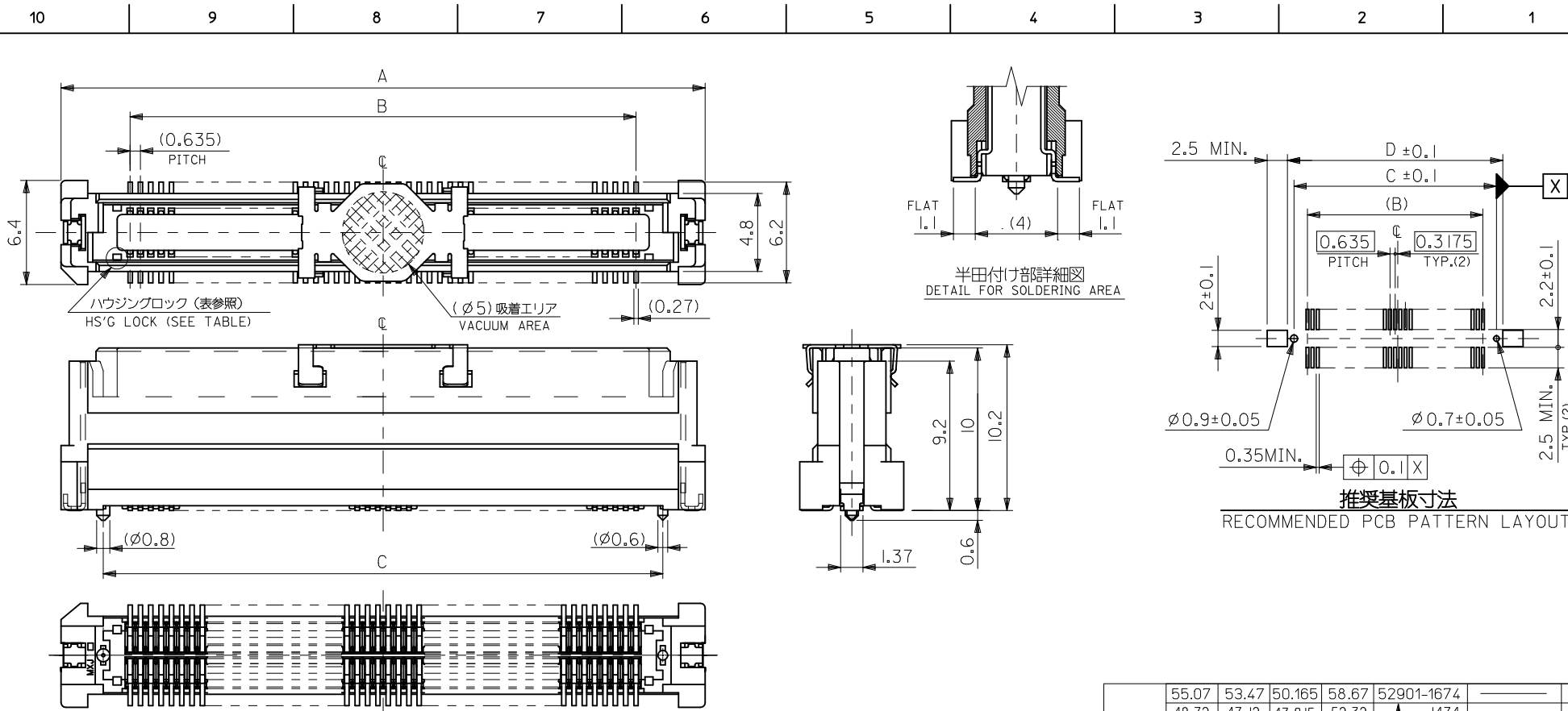
## Contact us

Tel: +86-755-8981 8866 Fax: +86-755-8427 6832

Email & Skype: info@chipsmall.com Web: www.chipsmall.com

Address: A1208, Overseas Decoration Building, #122 Zhenhua RD., Futian, Shenzhen, China





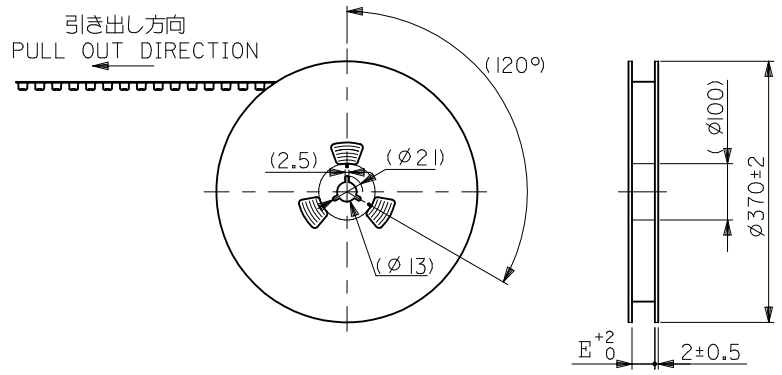
注) NOTES

- 材質 MATERIAL  
 ハウジング: ガラス入りLCP、白色、UL94V-0  
 HOUSING: G.F.LCP, WHITE, UL94V-0  
 ターミナル: 銅合金 (t=0.2)  
 TERMINAL: COPPER ALLOY  
 吸着カバー: ステンレス (t=0.2)  
 VACUUM COVER: STAINLESS STEEL  
 補強金具: 銅合金 (t=0.25)  
 FITTING NAIL: COPPER ALLOY
- メッキ仕様 PLATING  
 ターミナル: 接点部 : 金メッキ 0.25  $\mu$ mMIN.  
 TERMINAL: CONTACT AREA: GOLD 0.25  $\mu$ mMIN.  
 半田付け部: 錫メッキ 1  $\mu$ mMIN.  
 SOLDER TAIL AREA: TIN 1  $\mu$ mMIN.  
 下地メッキ: ニッケルメッキ 2  $\mu$ mMIN.  
 UNDER-PLATING: NICKEL 2  $\mu$ mMIN.  
 補助金具: 錫メッキ 1.0マイクロメートル以上  
 FITTING NAIL: OVER PLATING TIN 1.0 MICROMETER MINIMUM  
 下地メッキ ニッケルメッキ 1.0マイクロメートル以上  
 UNDER PLATING NICKEL 1.0 MICROMETER MINIMUM
- テールのバラツキ寸法 TAIL COPLANARITY  
 テール平坦度は、0.1 MAX.とする。  
 TAILS COPLANARITY TO BE 0.1 MAX.
- エンボス対応済みの種別については、SD-52901-009を参照下さい。  
 FOR THE EMBOSSED PACKAGE PRODUCTS, SEE SD-52901-009.
- 本製品は 52901-\*\*\*2 の鉛フリー品である。  
 THIS PRODUCT IS LEAD FREE OF 52901-\*\*\*2.

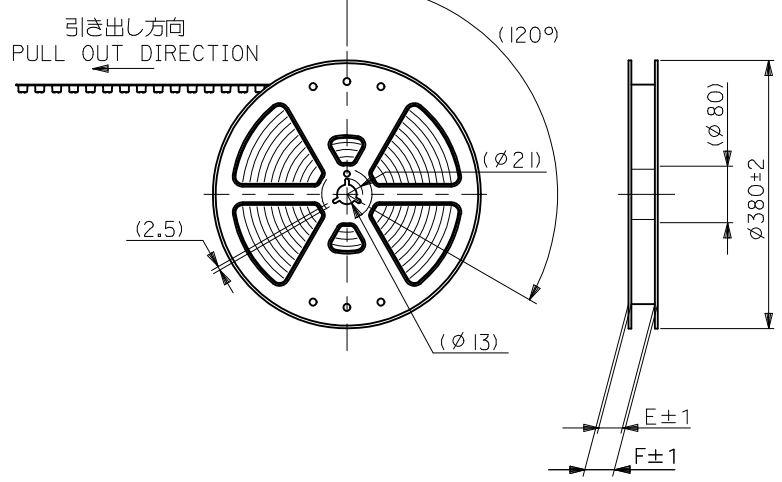
無し NO	55.07	53.47	50.165	58.67	52901-1674	160	
	48.72	47.12	43.815	52.32	-1474	140	
	42.37	40.77	37.465	45.97	-1274	120	
	36.02	34.42	31.115	39.62	-1074	100	
	32.85	31.25	27.94	36.45	-0974	90	
有り YES	29.67	28.07	24.765	33.27	-0874	80	
	26.5	24.9	21.59	30.1	-0774	70	
	23.32	21.72	18.415	26.92	-0674	60	
	16.97	15.37	12.065	20.57	-0474	40	
	13.8	12.2	8.89	17.4	-0374	30	
10.62	9.02	5.715	14.22	-0274	20		
ハウジングロック HS'G LOCK	D	C	B	A	エンボス梱包 EMBOSSED PACKAGING	スティック梱包 STICK PACKAGING	種数 CKT. NO.
CONNECTORS SERIES No.						52901-***72	

REVISED EC NO. J2012-1233 D	DESCRIPTION 2012/03/16 DRWN:TKAIHO 2012/03/16 CHKD:TASAKAWA 2012/03/19 APPR:MSASAO	GENERAL TOLERANCES (UNLESS SPECIFIED)		DIMENSION STYLE MM ONLY		SCALE ---		DESIGN UNITS METRIC		THIRD ANGLE PROJECTION	
		10 UNDER	±0.2	DRAWN BY M. NINOMIYA	DATE '04/03/04	TITLE 0.635 PITCH B-TO-B CONN. REC. HS'G COVER ASS'Y -LEAD FREE-					
		10 OVER 30 UNDER	±0.25	CHECKED BY K. TOJO	DATE '04/03/04	MOLEX INCORPORATED					
		30 OVER	±0.3	APPROVED BY M. SASAO	DATE '04/03/04	DOCUMENT NO. SD-52901-008					
ANGULAR ±3 °		DRAFT WHERE APPLICABLE MUST REMAIN WITHIN DIMENSIONS		MATERIAL NO.		SEE TABLE		SHEET NO. 1 OF 1		EN-02JA(021)	
THIS DRAWING CONTAINS INFORMATION THAT IS PROPRIETARY TO MOLEX INCORPORATED AND SHOULD NOT BE USED WITHOUT WRITTEN PERMISSION											

20~140P

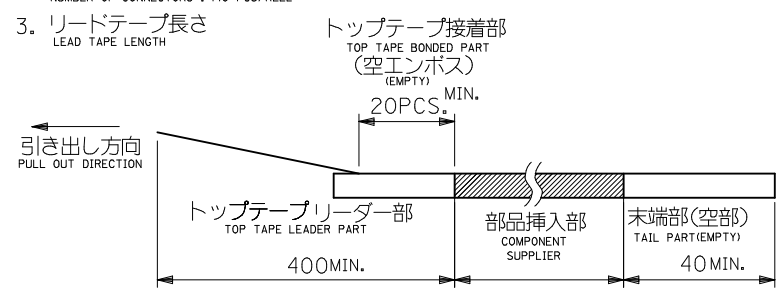


160P

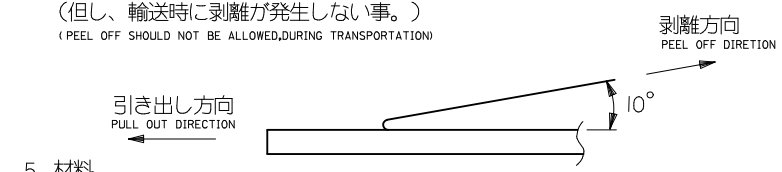


注)  
NOTES

1. 製品番号 52901-\*\*\*72 の詳細寸法については、SD-52901-008 を参照下さい。  
IN THE PACKAGE , PART NO. 52901-\*\*\*72 DETAILED DIMENSIONS , SEE SD-52901-008
2. 梱包数量 : 440 個/リール  
NUMBER OF CONNECTORS : 440 PCS/REEL
3. リードテープ長さ  
LEAD TAPE LENGTH



4. トップテープの剥離強度 (剥離方向は下図参照)  
PEELING OFF FORCE OF TOP TAPE (PEELING DIRECTION AS SHOWN IN FOLLOWING FIG.)  
0. 1N~1. 3N {10gf~130gf} : キャリアテープ幅24mm~72mm  
CARRIER TAPE WIDTH 24mm~72mm  
尚、本規格値は、出荷時に適用。  
THIS REQUIREMENT SHOULD BE APPLIED AT SHIPMENT  
(但し、輸送時に剥離が発生しない事。)  
(PEEL OFF SHOULD NOT BE ALLOWED,DURING TRANSPORTATION)

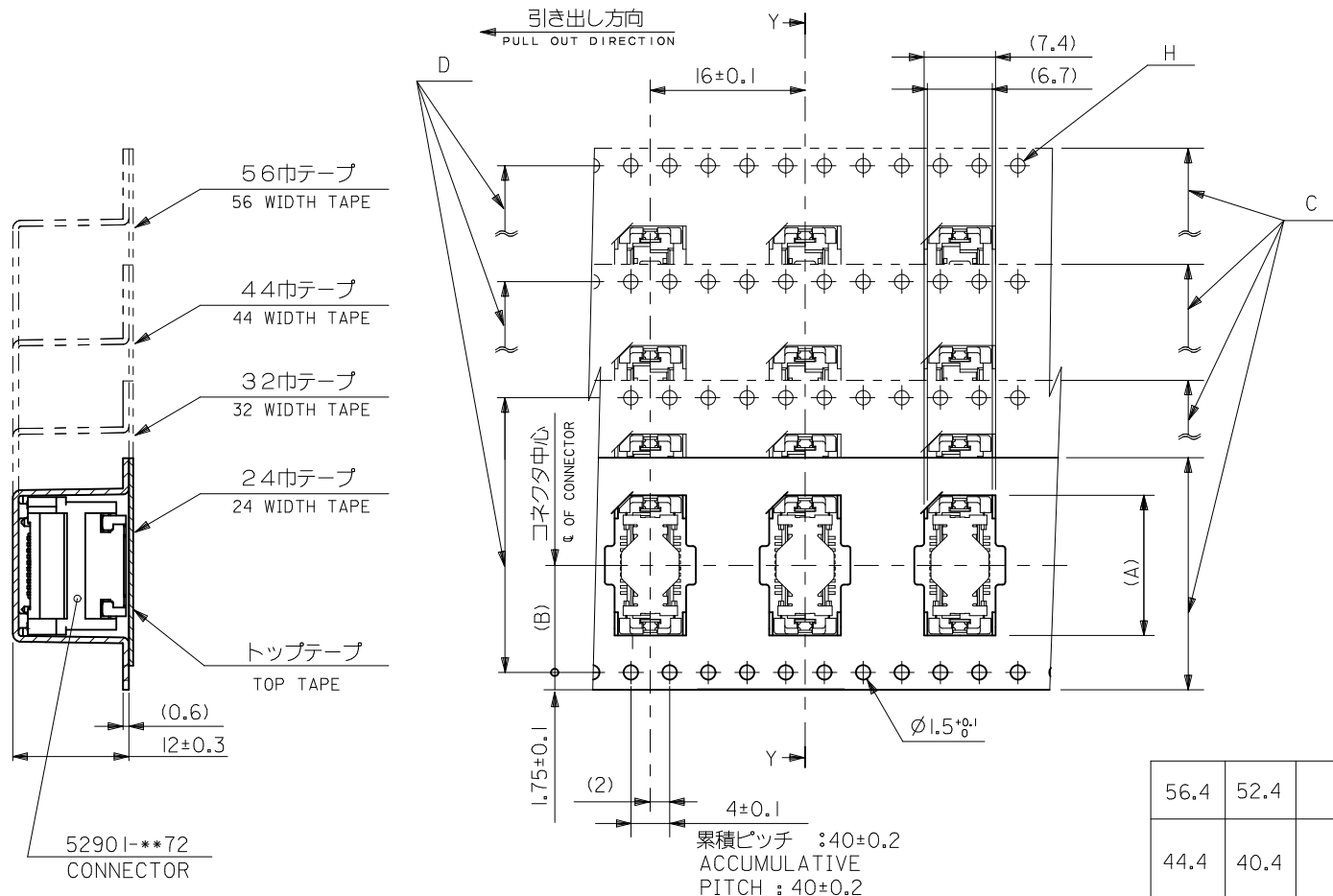


5. 材料  
MATERIAL  
キャリアテープ : ポリプロピレン (PP)  
CARRIER TAPE : POLYPROPYLENE (PP)  
トップテープ : PET, PE, PEF  
TOP TAPE : PET , PE , PEF  
リール : 紙 (20~140P)  
ポリスチレン (160P)  
REEL: CARD BOARD (20~140P)  
POLYSTYRENE (160P)

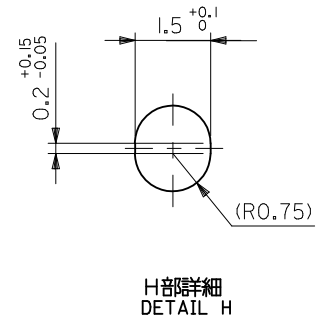
6. 本製品は 52901-\*\*\*4 の鉛フリー品である。  
THIS PRODUCT IS LEAD FREE OF 52901-\*\*\*4.

52901-\*\*\*74  
MODEL NO.

REVISED EC NO: J2012-1233 DRWN:TKAIHO 2012/03/19 CHKD:TASAKAWA 2012/03/19 APPR:MSASAO 2012/03/19	DESCRIPTION	GENERAL TOLERANCES (UNLESS SPECIFIED)		DIMENSION STYLE MM ONLY		SCALE ---	DESIGN UNITS METRIC	THIRD ANGLE PROJECTION	
		10 UNDER	± ---	DRAWN BY M. NINOMIYA	DATE '04/03/04	TITLE EMBOSSED TAPE PACKAGE FOR 52901-***72 -LEAD FREE-			
		10 OVER 30 UNDER	± ---	CHECKED BY K. TOJO	DATE '04/03/04	MOLEX INCORPORATED			
		30 OVER	± ---	APPROVED BY M. SASAO	DATE '04/03/04	DOCUMENT NO. SD-52901-009			
B	REV	ANGULAR	± --- °	MATERIAL NO. SEE CHART		SHEET NO. 1 OF 3		THIS DRAWING CONTAINS INFORMATION THAT IS PROPRIETARY TO MOLEX INCORPORATED AND SHOULD NOT BE USED WITHOUT WRITTEN PERMISSION	



断面 Y-Y  
SECTION Y-Y



H部詳細  
DETAIL H

REVISED	EC NO: J2012-1233	2012/03/19	DESCRIPTION	GENERAL TOLERANCES (UNLESS SPECIFIED)	
	DRWN:TKAIHO	2012/03/19		10 UNDER	± ---
	CHKD:TASAKAWA	2012/03/19		10 OVER 30 UNDER	± ---
	APPR:MSASAO	2012/03/19		30 OVER	± ---
REV	ANGULAR ± --- °		DRAFT WHERE APPLICABLE MUST REMAIN WITHIN DIMENSIONS		

56.4	52.4	56 <sup>+0.3</sup>	26.2	39.9	52901-1074	100
				36.8	-0974	90
44.4	40.4	44 <sup>+0.3</sup>	20.2	33.6	-0874	80
				30.4	-0774	70
32.4	28.4	32 <sup>+0.3</sup>	14.2	27.2	-0674	60
				20.9	-0474	40
24.4	—	24 <sup>+0.3</sup>	11.5	17.7	-0374	30
E	D	C	B	A	52901-0274	20
		キャリアテープ幅 CARRIER TAPE WIDTH			MATERIAL NO.	極致 CKT.NO.

DIMENSION STYLE MM ONLY		SCALE ---	DESIGN UNITS METRIC	THIRD ANGLE PROJECTION
DRAWN BY M. NINOMIYA	DATE '04/03/04	TITLE EMBOSSSED TAPE PACKAGE FOR 52901-**-72 -LEAD FREE-		
CHECKED BY K. TOJO	DATE '04/03/04	MOLEX INCORPORATED		
APPROVED BY M. SASAO	DATE '04/03/04	MATERIAL NO.	DOCUMENT NO.	SHEET NO.
SEE CHART		SD-52901-009		2 OF 3
THIS DRAWING CONTAINS INFORMATION THAT IS PROPRIETARY TO MOLEX INCORPORATED AND SHOULD NOT BE USED WITHOUT WRITTEN PERMISSION				

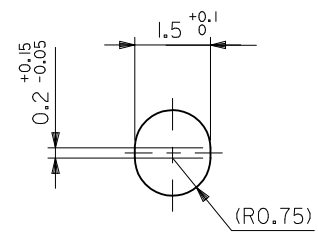
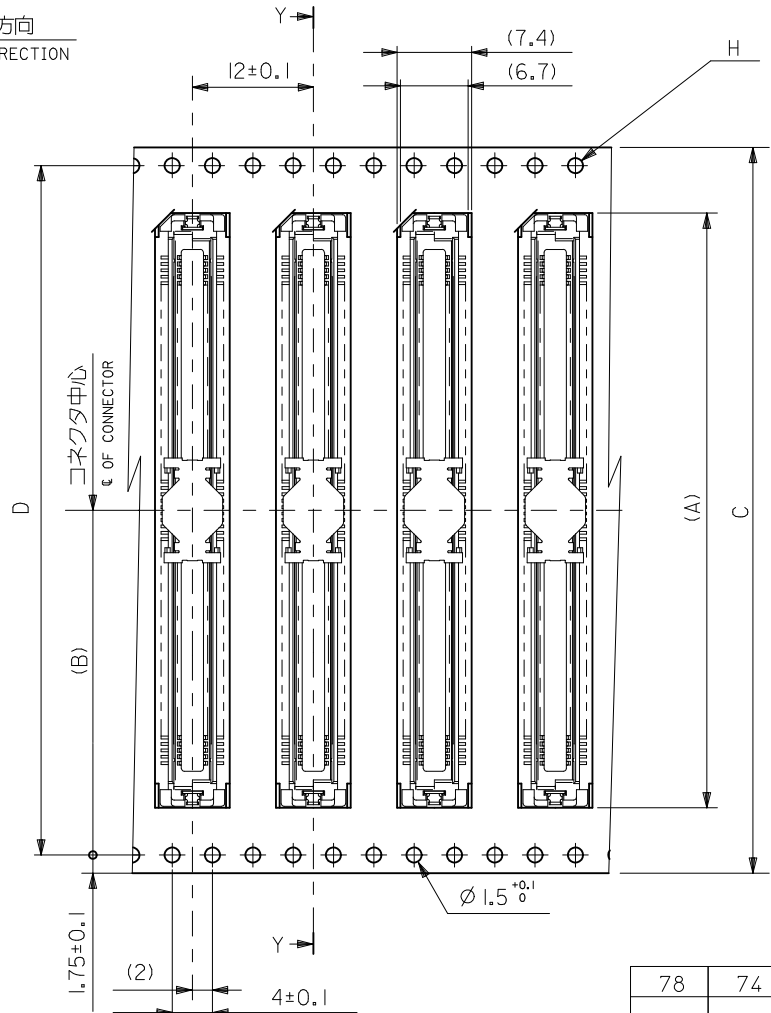
引き出し方向  
PULL OUT DIRECTION

72巾テープ  
72 WIDTH TAPE

トップテープ  
TOP TAPE

52901-\*\*72  
CONNECTOR

断面 Y-Y  
SECTION Y-Y



H部詳細  
DETAIL H

累積ピッチ : 40±0.2  
ACCUMULATIVE PITCH : 40±0.2

78	74	68.4	72±0.3	34.2	59.0	59201-1674	160
—	72.4				52.6	52901-1474	140
F	E	D	C	B	A	MATERIAL NO.	極致 CKT.NO.

REVISED EC NO.: J2012-1233 DRWN:TKAIHO CHKD:TASAKAWA APPR:MSASAO	2012/03/19	2012/03/19	2012/03/19	GENERAL TOLERANCES (UNLESS SPECIFIED)		DIMENSION STYLE MM ONLY		SCALE ---	DESIGN UNITS METRIC	THIRD ANGLE PROJECTION
	10 UNDER	± ---	10 OVER	30 UNDER	± ---	DRAWN BY M. NINOMIYA	DATE '04/03/04	TITLE EMBOSSD TAPE PACKAGE FOR 52901-**72 -LEAD FREE-		
	30 OVER	± ---	ANGULAR		± --- °	CHECKED BY K. TOJO	DATE '04/03/04	APPROVED BY M. SASAO		
	DRAFT WHERE APPLICABLE MUST REMAIN WITHIN DIMENSIONS		MATERIAL NO.		SEE CHART	DOCUMENT NO.		SHEET NO.		

10 9 8 7 6 5 4 3 2 1

F

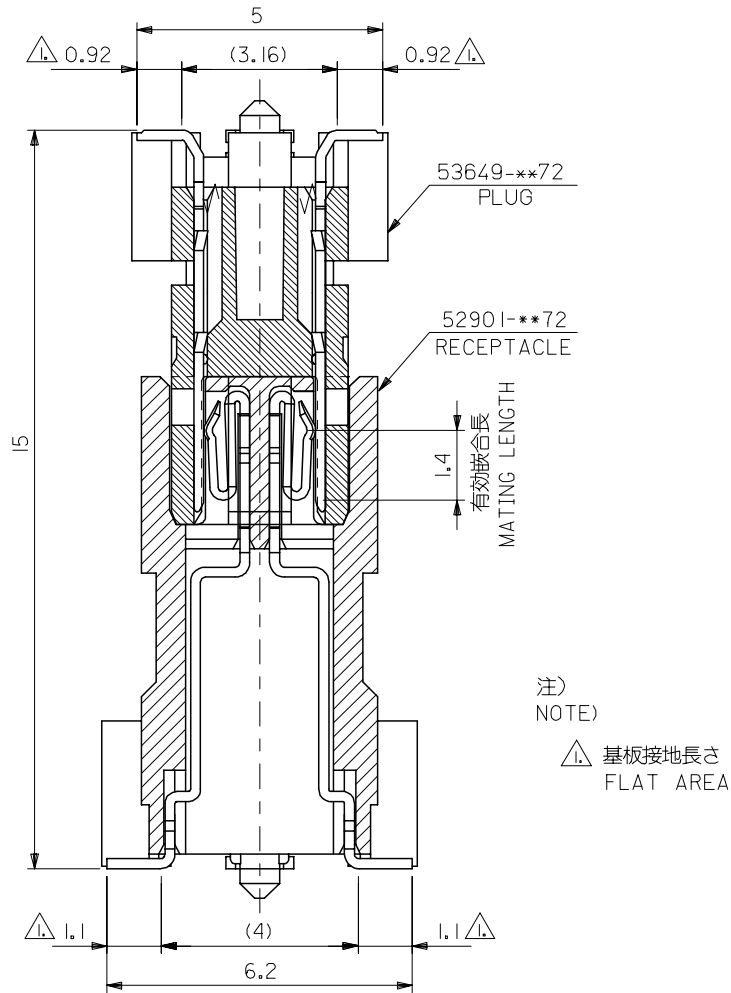
E

D

C

B

A



RELEASED EC NO: J2005-3798 DRW: KENSUZUKI 2005/06/20 CHK: D: NUKITA 2005/06/20 APPR: NUKITA 2005/06/23	GENERAL TOLERANCES (UNLESS SPECIFIED)		DIMENSION STYLE MM ONLY		SCALE 10:1	DESIGN UNITS METRIC	THIRD ANGLE PROJECTION	
	10 UNDER	±0.2	DRAWN BY KENSUZUKI	DATE 2005/06/20	TITLE 0.635 PITCH B TO B CONN. 52901/53649 SERIES MATING CROSS SECTION			
	10 OVER 30 UNDER	±0.25	CHECKED BY NUKITA	DATE 2005/06/20				
	30 OVER	±0.3	APPROVED BY NUKITA	DATE 2005/06/20	MOLEX INCORPORATED DOCUMENT NO. SD-52901-015 SHEET NO. 1 OF 1			
	ANGULAR	±3 °	MATERIAL NO. SEE DRAWING					
DRAFT WHERE APPLICABLE MUST REMAIN WITHIN DIMENSIONS		THIS DRAWING CONTAINS INFORMATION THAT IS PROPRIETARY TO MOLEX INCORPORATED AND SHOULD NOT BE USED WITHOUT WRITTEN PERMISSION						

9

8

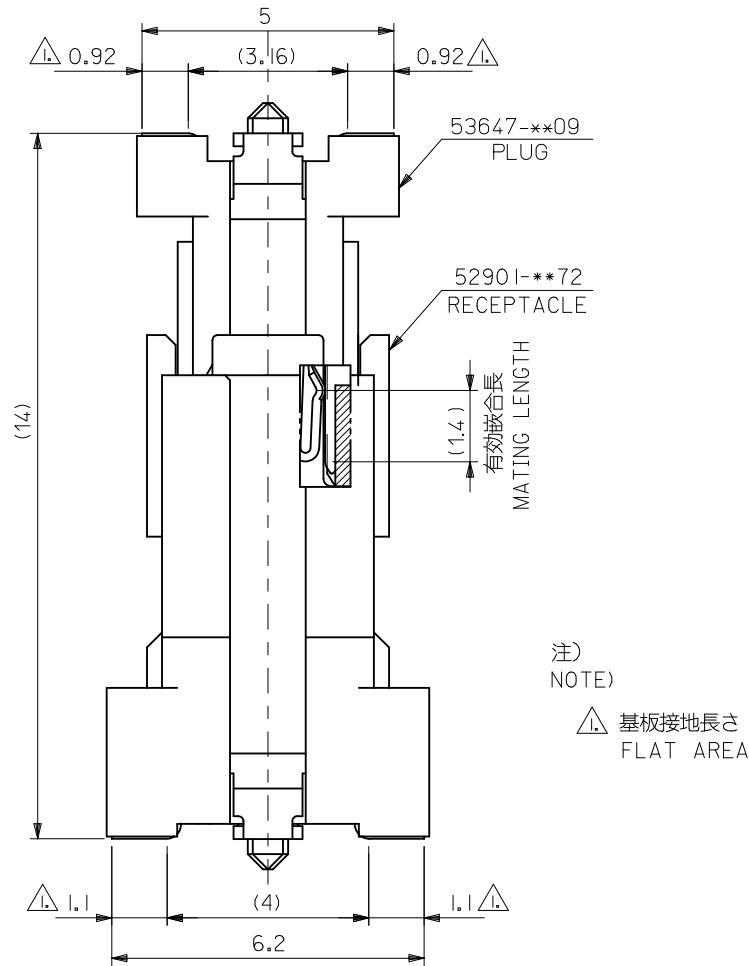
7

5

4

3

2



RELEASED EC NO: J2012-1293 DRWN:TKAIHO CHKD:TASAKAWA APPR:MSASAO 2012/04/09 2012/04/10 2012/04/13	GENERAL TOLERANCES (UNLESS SPECIFIED)		DIMENSION STYLE MM ONLY	SCALE 10:1	DESIGN UNITS METRIC	THIRD ANGLE PROJECTION
	10 UNDER	± 0.2	DRAWN BY TKAIHO	DATE 2012/04/09	TITLE 0.635 BB CONN. 52901/53647 SERIES MATING DRAWING	
	10 OVER 30 UNDER	± 0.25	CHECKED BY TASAKAWA	DATE 2012/04/10		
	30 OVER	± 0.3	APPROVED BY MSASAO	DATE 2012/04/13	<b>molex</b> DOCUMENT NO. SD-52901-017 SHEET NO. 1 OF 1	
	ANGULAR ±3 °		MATERIAL NO. SEE DRAWING			
DRAFT WHERE APPLICABLE MUST REMAIN WITHIN DIMENSIONS		THIS DRAWING CONTAINS INFORMATION THAT IS PROPRIETARY TO MOLEX INCORPORATED AND SHOULD NOT BE USED WITHOUT WRITTEN PERMISSION				