



Chipsmall Limited consists of a professional team with an average of over 10 year of expertise in the distribution of electronic components. Based in Hongkong, we have already established firm and mutual-benefit business relationships with customers from,Europe,America and south Asia,supplying obsolete and hard-to-find components to meet their specific needs.

With the principle of "Quality Parts,Customers Priority,Honest Operation,and Considerate Service",our business mainly focus on the distribution of electronic components. Line cards we deal with include Microchip,ALPS,ROHM,Xilinx,Pulse,ON,Everlight and Freescale. Main products comprise IC,Modules,Potentiometer,IC Socket,Relay,Connector.Our parts cover such applications as commercial,industrial, and automotives areas.

We are looking forward to setting up business relationship with you and hope to provide you with the best service and solution. Let us make a better world for our industry!



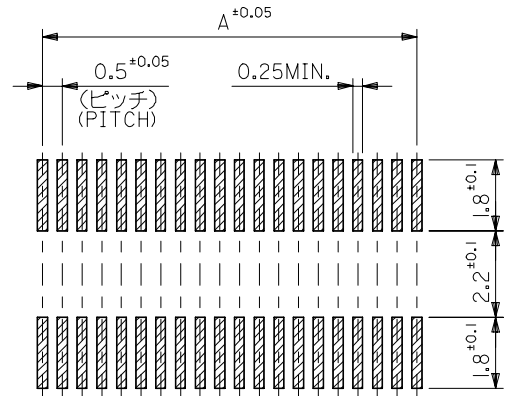
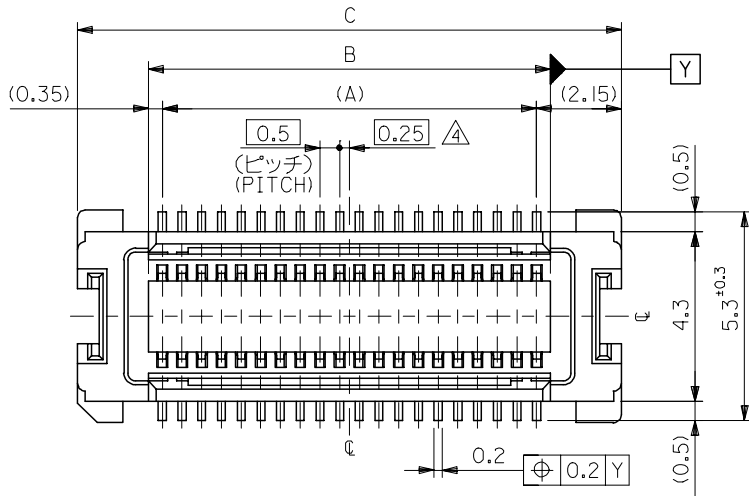
## Contact us

Tel: +86-755-8981 8866 Fax: +86-755-8427 6832

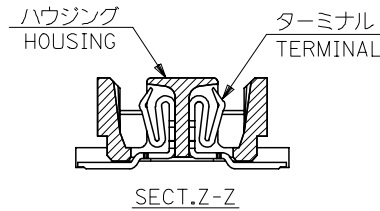
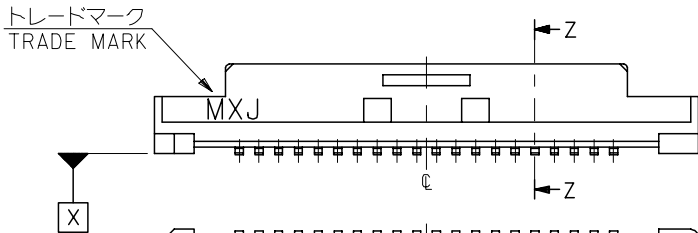
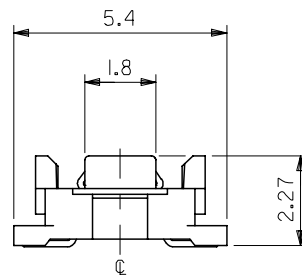
Email & Skype: info@chipsmall.com Web: www.chipsmall.com

Address: A1208, Overseas Decoration Building, #122 Zhenhua RD., Futian, Shenzhen, China





参考基板レイアウト (マウント面)  
P.C.BOARD PATTERN  
DIMENSION (REF.)  
(MOUNTING AREA)



23.8	20.2	19.5	52991-0800	80
21.3	17.7	17.0	-0700	70
18.8	15.2	14.5	-0600	60
16.3	12.7	12.0	-0500	50
13.8	10.2	9.5	-0400	40
11.3	7.7	7.0	-0300	30
8.8	5.2	4.5	52991-0200	20
C	B	A	MATERIAL NO.	極数 CIRCUIT

注記 NOTES:

1. 使用材料 MATERIAL  
ハウジング: LCPガラス入り (白), UL94V-0  
HOUSING: LCP(G.F.)(COLOR: WHITE), UL94V-0  
ターミナル: リン青銅 (t=0.15)  
TERMINAL: PHOSPHOR BRONZE (t=0.15)
2. ヌッキ仕様 PLATING  
全体仕上げ: 金メッキ 0.1 MICROMETER MIN.  
ALL OVER: GOLD 0.1 MICROMETER MIN.  
下地メッキ: ニッケルメッキ 1.5 MICROMETER MIN.  
UNDER PLATING: NICKEL 1.5 MICROMETER MIN.

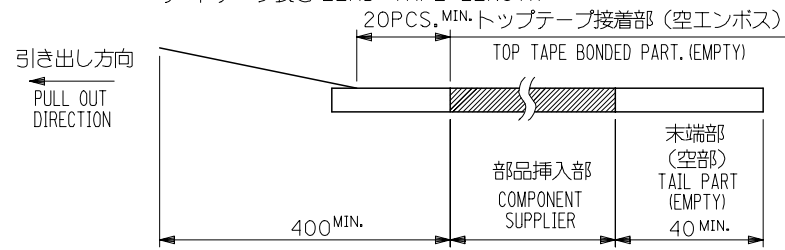
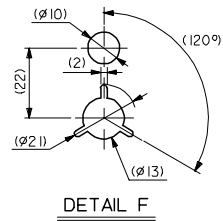
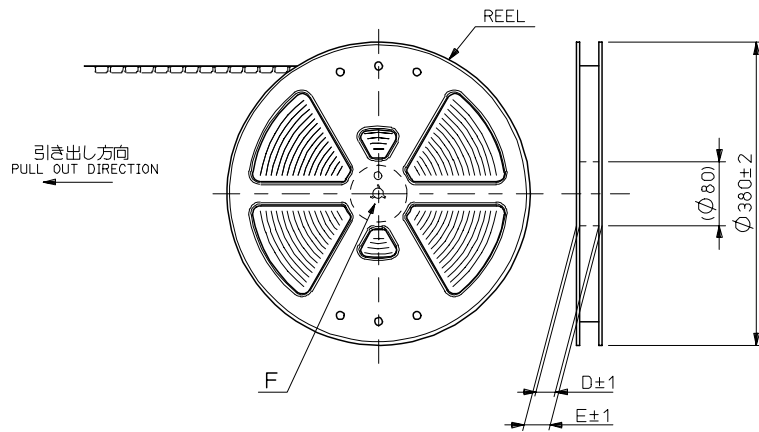
- 5 嵌合相手: 53748 シリーズ 53916 シリーズ 502280 シリーズ  
MATE WITH: 53748 SERIES, 53916 SERIES, 502280 SERIES.
- 6 テール平坦度は、0.1MAX.  
TAIL COPLANARITY TO BE 0.1MAX.

3. 基準面 [X] からのソルダーテールの半田付け面のズレ量は、上方向 0、下方向 0.15MAX. とする。  
MISALIGNMENT OF SOLDER TAIL FROM [X]  
: UPPER DIRECTION 0, LOWER DIRECTION 0.15 MAX.  
△ (全極数/2) = 偶数の場合に適用。  
APPLY FOR (CIRCUIT/2)=EVEN.

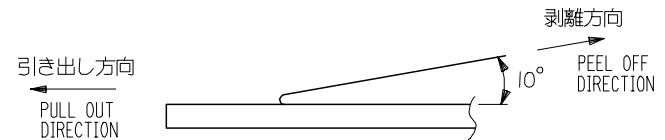
REVISED EC NO: J2007-0273 DRWN: TENAGASE 2006/07/28 CHKD: THARUYAMA 2006/08/03 APPR: NUKITA 2006/08/07	DESCRIPTION	GENERAL TOLERANCES (UNLESS SPECIFIED)		DIMENSION STYLE MM ONLY		SCALE 8:1	DESIGN UNITS METRIC	THIRD ANGLE PROJECTION	
		10 UNDER	±0.2	DRAWN BY S. AIHARA	DATE '96/02/27	TITLE 0.5 B/B CONN REC HOUSING ASSY(W/O BOSS, W/O NAIL) -LEAD FREE-			
		10 OVER 30 UNDER	±0.25	CHECKED BY M. SASAO	DATE '01/12/26				
		30 OVER	±0.3	APPROVED BY M. SASAO	DATE '01/12/26				
ANGULAR ±3 °		DRAFT WHERE APPLICABLE MUST REMAIN WITHIN DIMENSIONS		MATERIAL NO. SEE CHART		DOCUMENT NO. SD-52991-004		SHEET NO. 1 OF 1	
THIS DRAWING CONTAINS INFORMATION THAT IS PROPRIETARY TO MOLEX INCORPORATED AND SHOULD NOT BE USED WITHOUT WRITTEN PERMISSION									

NOTES

- 製品詳細寸法については図面 SD-52991-004 を参照下さい。  
RE DETAILED DIMENSION, SEE SD-52991-004
- 梱包数量：3000個/リール  
NUMBER OF CONNECTORS : 3000PCS/REEL
- リードテープ長さ LEAD TAPE LENGTH



- トップテープの剥離強度：0.1N~1.3N (10gf~130gf) (剥離方向は下図参照)  
尚、本規格値は出荷時に適用。(但し、輸送時に剥離が発生しないこと。)  
PEELING OFF FORCE OF TOP TAPE : 0.1N~1.3N (10gf~130gf)  
(PEELING DIRECTION AS SHOWN IN FOLLOWING FIG.)  
THIS REQUIREMENT SHOULD BE APPLIED AT SHIPMENT.  
PEEL OFF SHOULD NOT BE ALLOWED , DURING TRANSPORTATION.



- 材料 (MATERIAL)  
キャリアテープ (CARRIER TAPE) : ポリプロピレン (POLYPROPYLENE)  
トップテープ (TOPTAPE) : PET , PE , PEF  
リール (REEL) : ポリスチレン (PS) <リサイクル材を含む>  
POLYSTYREN (PS) <RECYCLE MATERIAL CONTAINED>

52991-\*\*\*8 MODEL NO.

REVISED EC NO: J2006-0604 DRW:NAIDA 2005/08/31 CHK:KTOYODA 2005/09/01 APPR:NUKITA 2005/09/09	GENERAL TOLERANCES (UNLESS SPECIFIED)		DIMENSION STYLE MM ONLY		SCALE ---	DESIGN UNITS METRIC	THIRD ANGLE PROJECTION	
	10 UNDER	± 0.2	DRAWN BY T. NIITSU	DATE '95/10/17	TITLE 0.5 B/B CONN REC HSG ASSY EMBSTP PKG -LEAD FREE-			
	10 OVER 30 UNDER	± 0.25	CHECKED BY T. ITO	DATE '01/01/31				
	30 OVER	± 0.3	APPROVED BY M. FUKUSHIMA	DATE '01/01/31	MOLEX INCORPORATED			
	ANGULAR	± 3 °	MATERIAL NO.	DOCUMENT NO.				
DRAFT WHERE APPLICABLE MUST REMAIN WITHIN DIMENSIONS		SEE CHART		SD-52991-005		1 OF 6		

10 9 8 7 6 5 4 3 2 1

F

E

D

C

B

A

F

E

D

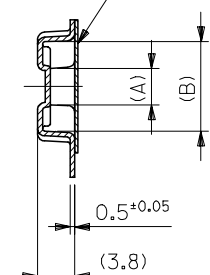
C

B

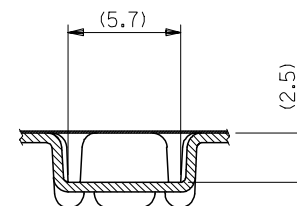
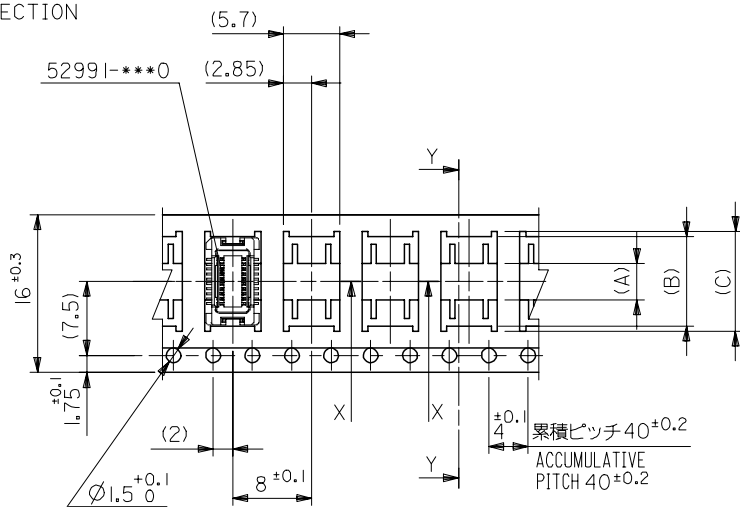
A

引き出し方向  
PULL OUT DIRECTION

トップテープ  
TOP TAPE



SECT:Y-Y



SECT:X-X  
(SCALE 4:1)

16mm幅キャリアテープ  
16mm WIDTH CARRIER TAPE

REVISED		EC NO: J2006-0604		2005/08/31		2005/09/01		2005/09/09		52991-***8		MODEL NO.		16		21.4		17.4		10.1		9.1		3.7		52991-0208		20	
DRWN:NAIDA		CHKD:TOYODA		APPR:NUKITA		GENERAL TOLERANCES (UNLESS SPECIFIED)		DIMENSION STYLE		SCALE		DESIGN UNITS		THIRD ANGLE PROJECTION		E		D		(C)		(B)		(A)		MATERIAL NO.		極数	
10 UNDER		± ---		DRAWN BY		DATE		MM ONLY		---		METRIC		◎ □		T.NIITSU		'95/10/17		TITLE		0.5 B/B CONN REC HSG		ASSY EMBSTP PKG		-LEAD FREE-			
10 OVER 30 UNDER		± ---		CHECKED BY		DATE		ANGULAR		°		M.FUKUSHIMA		'01/01/31		APPROVED BY		DATE		MOLEX		MOLEX INCORPORATED		DOCUMENT NO.		SHEET NO.			
30 OVER		± ---		DRAFT WHERE APPLICABLE		MUST REMAIN		SEE CHART		SD-52991-005		2 OF 6		THIS DRAWING CONTAINS INFORMATION THAT IS PROPRIETARY TO MOLEX		INCORPORATED AND SHOULD NOT BE USED WITHOUT WRITTEN PERMISSION													

10 9 8 7 6 5 4 3 2 1

F

E

D

C

B

A

F

E

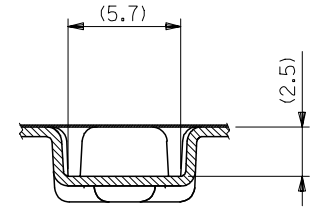
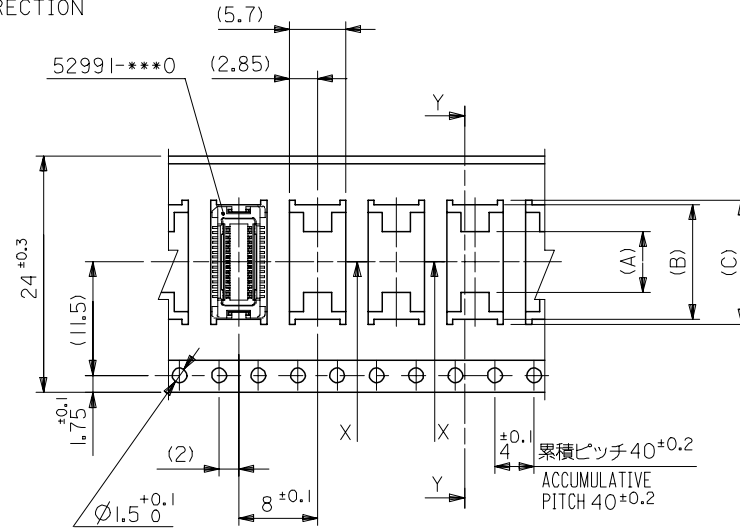
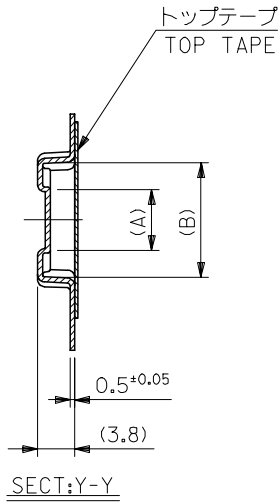
D

C

B

A

引き出し方向  
PULL OUT DIRECTION



24mm幅キャリアテープ  
24mm WIDTH CARRIER TAPE

24	29.4	25.4	15.1	14.1	7.4	52991-0408	40
			12.6	11.6	4.9	52991-0308	30
キャリアテープ幅 CARRIER TAPE WIDTH	E	D	(C)	(B)	(A)	MATERIAL NO.	極数 CKT.

REVISED EC NO: J2006-0604 DRWN:NAIDA 2005/08/31 CHKD:KTOYODA 2005/09/01 APPR:NUKITA 2005/09/09	52991-***8	MODEL NO.	DIMENSION STYLE MM ONLY		SCALE ---	DESIGN UNITS METRIC	THIRD ANGLE PROJECTION
	GENERAL TOLERANCES (UNLESS SPECIFIED)		DRAWN BY S. AIHARA		DATE '96/04/01		TITLE 0.5 B/B CONN REC HSG ASSY EMBSTP PKG -LEAD FREE-
	10 UNDER	± ---	CHECKED BY T. ITO		DATE '01/01/31		
	10 OVER 30 UNDER	± ---	APPROVED BY M. FUKUSHIMA		DATE '01/01/31		MOLEX INCORPORATED
30 OVER	± ---	MATERIAL NO.		DOCUMENT NO.			
ANGULAR ± --- °		DRAFT WHERE APPLICABLE MUST REMAIN WITHIN DIMENSIONS		SEE CHART		SD-52991-005	SHEET NO. 3 OF 6
SIZE A3 THIS DRAWING CONTAINS INFORMATION THAT IS PROPRIETARY TO MOLEX INCORPORATED AND SHOULD NOT BE USED WITHOUT WRITTEN PERMISSION							

9

8

7

6

5

4

3

2

10 9 8 7 6 5 4 3 2 1

F

E

D

C

B

A

F

E

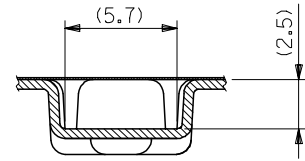
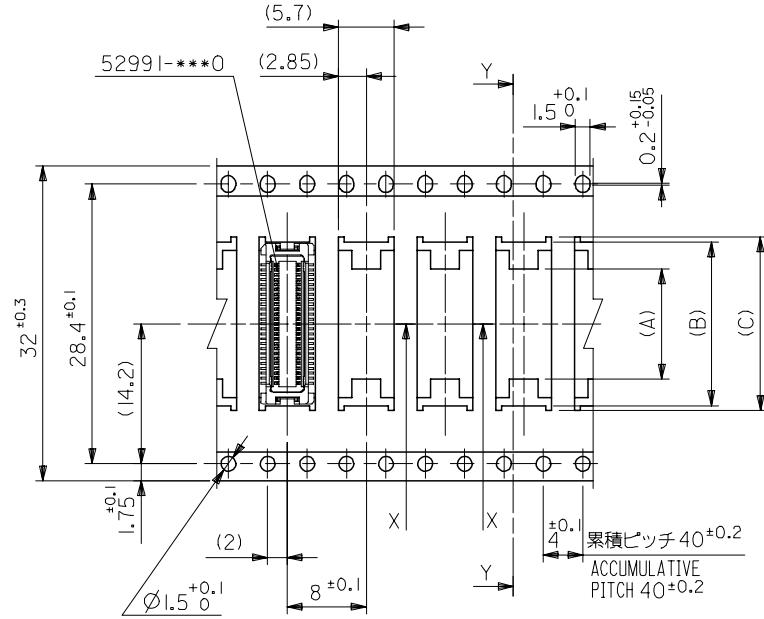
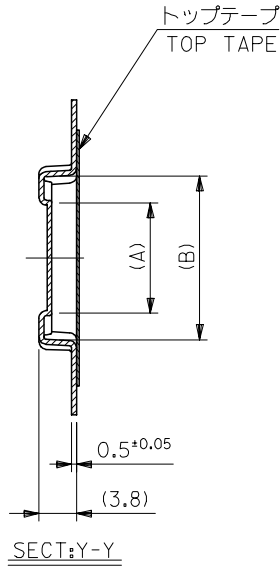
D

C

B

A

引き出し方向  
PULL OUT DIRECTION



32mm幅キャリアテープ  
32mm WIDTH CARRIER TAPE

32	37.4	33.4	17.6	16.6	11.2	52991-0508	50
キャリアテープ幅 CARRIER TAPE WIDTH	E	D	(C)	(B)	(A)	MATERIAL NO.	極数 CKT.

REVISED	DESCRIPTION
EC NO: J2006-0604	2005/08/31
DRW:NAIDA	2005/09/01
CHK:KTOYODA	2005/09/01
APP:NUKITA	2005/09/09
D	REV

52991-***8	MODEL NO.
GENERAL TOLERANCES (UNLESS SPECIFIED)	
10 UNDER	± ---
10 OVER 30 UNDER	± ---
30 OVER	± ---
ANGULAR	± --- °
DRAFT WHERE APPLICABLE MUST REMAIN WITHIN DIMENSIONS	

DIMENSION STYLE MM ONLY	
DRAWN BY T. YASUI	DATE '96/04/15
CHECKED BY T. ITO	DATE '01/01/31
APPROVED BY M. FUKUSHIMA	DATE '01/01/31
MATERIAL NO.	
SIZE A3	

SCALE ---	DESIGN UNITS METRIC	THIRD ANGLE PROJECTION
TITLE 0.5 B/B CONN REC HSG ASSY EMBSTP PKG -LEAD FREE-		
MOLEX INCORPORATED		
DOCUMENT NO. SD-52991-005	SHEET NO. 4 OF 6	
THIS DRAWING CONTAINS INFORMATION THAT IS PROPRIETARY TO MOLEX INCORPORATED AND SHOULD NOT BE USED WITHOUT WRITTEN PERMISSION		

9

8

7

6

5

4

3

2

10 9 8 7 6 5 4 3 2 1

F

E

D

C

B

A

F

E

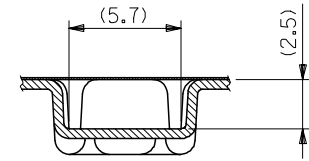
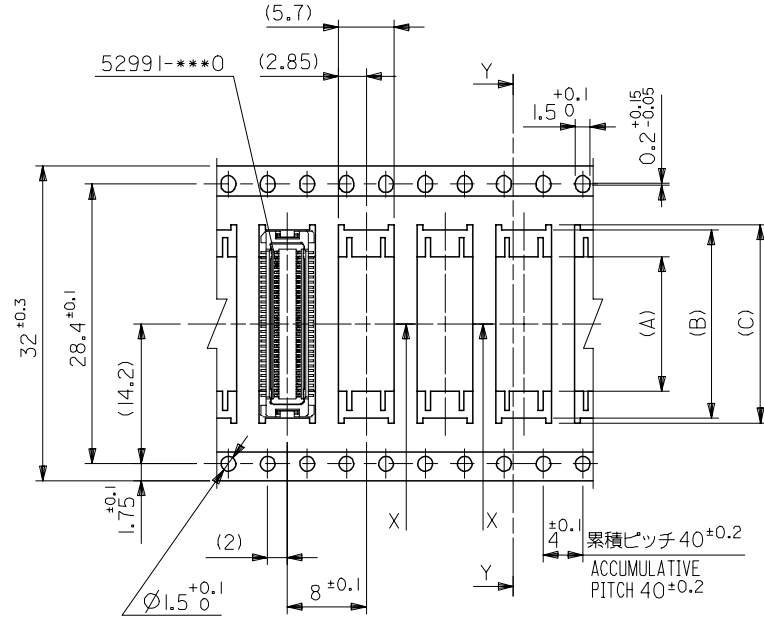
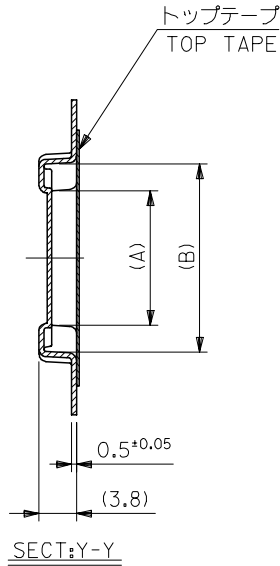
D

C

B

A

引き出し方向  
PULL OUT DIRECTION



32mm幅キャリアテープ  
32mm WIDTH CARRIER TAPE

REVISED	EC NO: J2006-0604	DRWN:NAIDA	2005/08/31	CHKD:KTOYODA	2005/09/01	APPR:NUKITA	2005/09/09	DESCRIPTION	52991-***8	MODEL NO.	32	37.4	33.4	20.1	19.1	13.7	52991-0608	60
D	GENERAL TOLERANCES (UNLESS SPECIFIED)								DIMENSION STYLE		SCALE		DESIGN UNITS		THIRD ANGLE PROJECTION			
	10 UNDER ± ---								MM ONLY		---		METRIC					
	10 OVER 30 UNDER ± ---								DRAWN BY		DATE		TITLE					
	30 OVER ± ---								S. AIHARA		'96/04/01		0.5 B/B CONN REC HSG					
	ANGULAR ± --- °								CHECKED BY		DATE		ASSY EMBSTP PKG					
	DRAFT WHERE APPLICABLE MUST REMAIN WITHIN DIMENSIONS								T. ITO		'01/01/31		-LEAD FREE-					
									APPROVED BY		DATE		MOLEX MOLEX INCORPORATED					
									M. FUKUSHIMA		'01/01/31							
									MATERIAL NO.		DOCUMENT NO.		SHEET NO.					
									SEE CHART		SD-52991-005		5 OF 6					
									SIZE		A3		THIS DRAWING CONTAINS INFORMATION THAT IS PROPRIETARY TO MOLEX INCORPORATED AND SHOULD NOT BE USED WITHOUT WRITTEN PERMISSION					

9

8

7

6

5

4

3

2

10 9 8 7 6 5 4 3 2 1

F

E

D

C

B

A

F

E

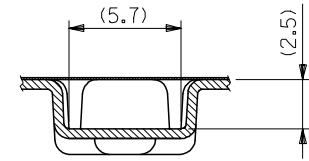
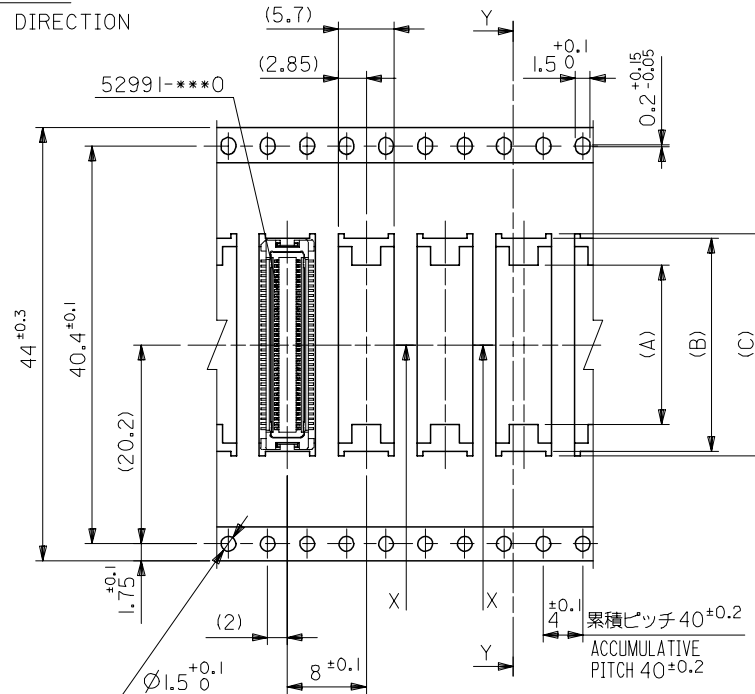
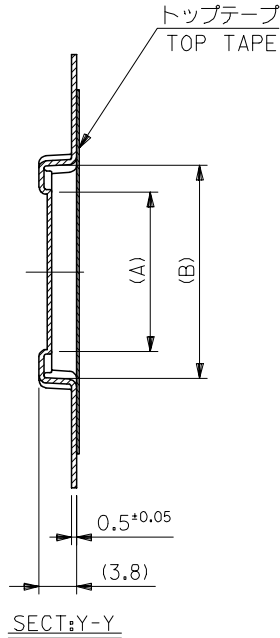
D

C

B

A

引き出し方向  
PULL OUT DIRECTION



44mm幅キャリアテープ  
44mm WIDTH CARRIER TAPE

44	49.4	45.4	25.1	24.1	18.7	52991-0808	80
			22.6	21.6	16.2	52991-0708	70
キャリアテープ幅 CARRIER TAPE WIDTH	E	D	(C)	(B)	(A)	MATERIAL NO.	極数 CKT.

REVISED EC NO: J2006-0604 DRW:NAIDA 2005/08/31 CHK:KTOYODA 2005/09/01 APP:NUKITA 2005/09/09	DESCRIPTION	GENERAL TOLERANCES (UNLESS SPECIFIED)	DIMENSION STYLE MM ONLY	SCALE ---	DESIGN UNITS METRIC	THIRD ANGLE PROJECTION
	REV	10 UNDER ± ---	DRAWN BY T. YASUI	DATE '96/04/15	TITLE 0.5 B/B CONN REC HSG ASSY EMBSTP PKG -LEAD FREE-	
		10 OVER 30 UNDER ± ---	CHECKED BY T. ITO	DATE '01/01/31	MOLEX INCORPORATED	
		30 OVER ± ---	APPROVED BY M. FUKUSHIMA	DATE '01/01/31	DOCUMENT NO. SD-52991-005	
	ANGULAR ± --- °	DRAFT WHERE APPLICABLE MUST REMAIN WITHIN DIMENSIONS	MATERIAL NO.	SEE CHART	SHEET NO. 6 OF 6	
			SIZE A3	THIS DRAWING CONTAINS INFORMATION THAT IS PROPRIETARY TO MOLEX INCORPORATED AND SHOULD NOT BE USED WITHOUT WRITTEN PERMISSION		

9

8

7

6

5

4

3

2