



Chipsmall Limited consists of a professional team with an average of over 10 year of expertise in the distribution of electronic components. Based in Hongkong, we have already established firm and mutual-benefit business relationships with customers from,Europe,America and south Asia,supplying obsolete and hard-to-find components to meet their specific needs.

With the principle of “Quality Parts,Customers Priority,Honest Operation,and Considerate Service”,our business mainly focus on the distribution of electronic components. Line cards we deal with include Microchip,ALPS,ROHM,Xilinx,Pulse,ON,Everlight and Freescale. Main products comprise IC,Modules,Potentiometer,IC Socket,Relay,Connector.Our parts cover such applications as commercial,industrial, and automotives areas.

We are looking forward to setting up business relationship with you and hope to provide you with the best service and solution. Let us make a better world for our industry!



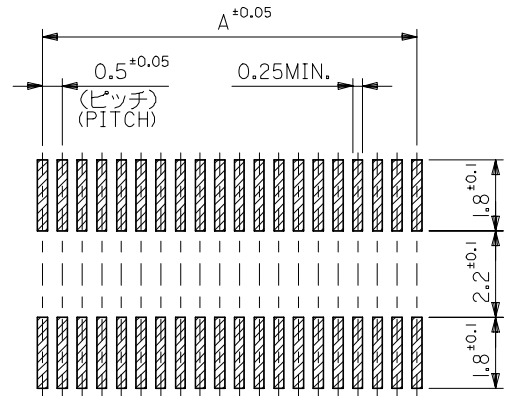
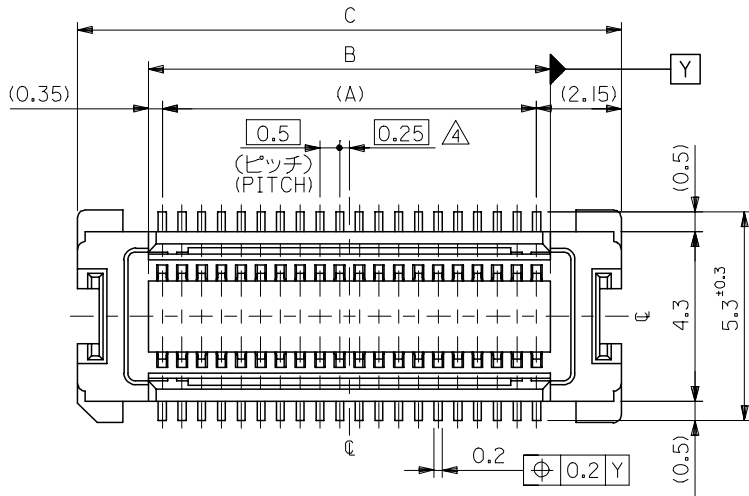
Contact us

Tel: +86-755-8981 8866 Fax: +86-755-8427 6832

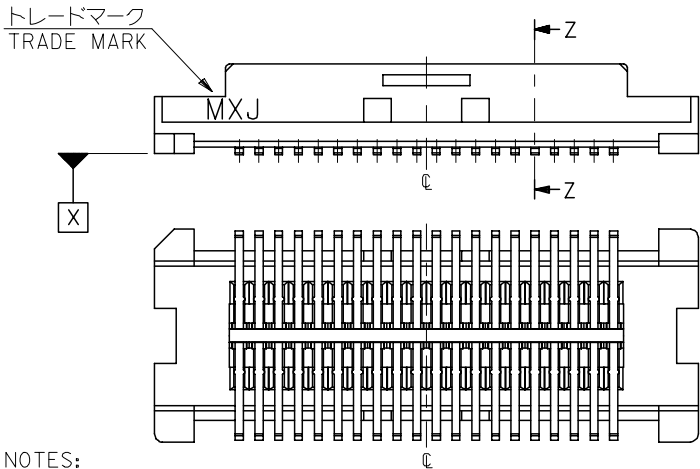
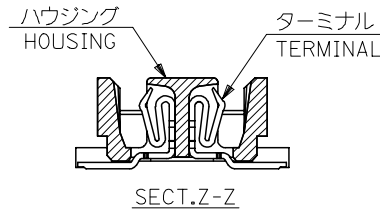
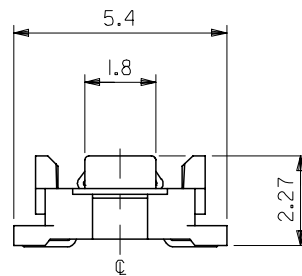
Email & Skype: info@chipsmall.com Web: www.chipsmall.com

Address: A1208, Overseas Decoration Building, #122 Zhenhua RD., Futian, Shenzhen, China





参考基板レイアウト (マウント面)
P.C.BOARD PATTERN
DIMENSION (REF.)
(MOUNTING AREA)



注記 NOTES:

1. 使用材料 MATERIAL
ハウジング: LCPガラス入り (白), UL94V-0
HOUSING: LCP(G.F.) (COLOR: WHITE), UL94V-0
ターミナル: リン青銅 (t=0.15)
TERMINAL: PHOSPHOR BRONZE (t=0.15)
2. ヌッキ仕様 PLATING
全体仕上げ: 金メッキ 0.1 MICROMETER MIN.
ALL OVER: GOLD 0.1 MICROMETER MIN.
下地メッキ: ニッケルメッキ 1.5 MICROMETER MIN.
UNDER PLATING: NICKEL 1.5 MICROMETER MIN.

3. 基準面 [X] からのソルダーテールの半田付け面のズレ量は、上方向 0、下方向 0.15MAX. とする。
MISALIGNMENT OF SOLDER TAIL FROM [X]
: UPPER DIRECTION 0, LOWER DIRECTION 0.15 MAX.

△ (全極数/2) = 偶数の場合に適用。
APPLY FOR (CIRCUIT/2)=EVEN.

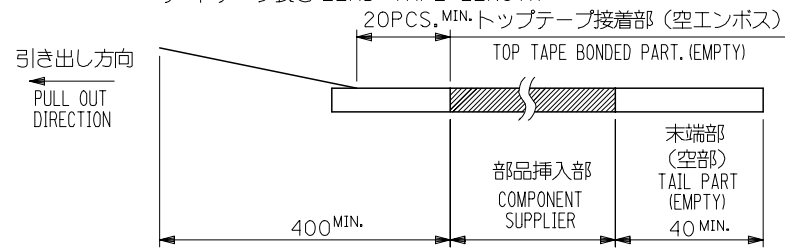
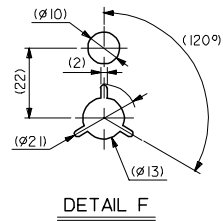
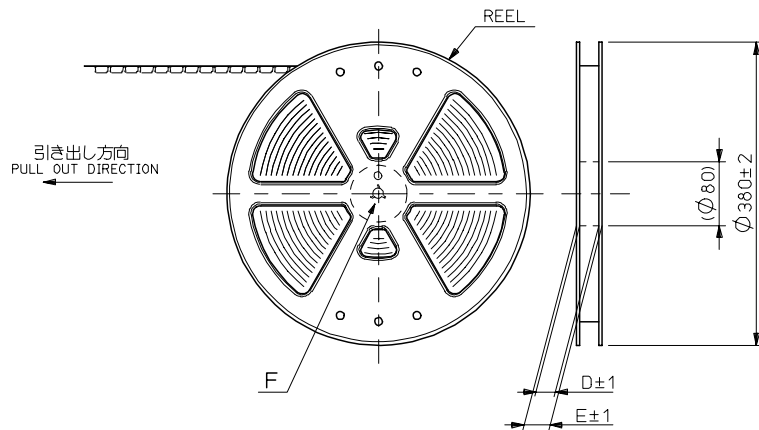
- 5 嵌合相手: 53748 シリーズ 53916 シリーズ 502280 シリーズ
MATE WITH: 53748 SERIES, 53916 SERIES, 502280 SERIES.
- 6 テール平坦度は、0.1MAX.
TAIL COPLANARITY TO BE 0.1MAX.

23.8	20.2	19.5	52991-0800	80
21.3	17.7	17.0	-0700	70
18.8	15.2	14.5	-0600	60
16.3	12.7	12.0	-0500	50
13.8	10.2	9.5	-0400	40
11.3	7.7	7.0	-0300	30
8.8	5.2	4.5	52991-0200	20
C	B	A	MATERIAL NO.	極数 CIRCUIT

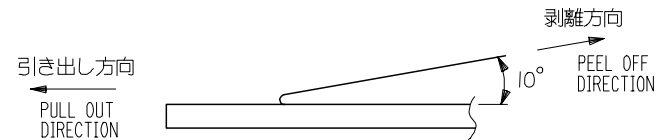
REVISED EC NO: J2007-0273 DRWN: TENAGASE 2006/07/28 CHKD: THARUYAMA 2006/08/03 APPR: NUKITA 2006/08/07	GENERAL TOLERANCES (UNLESS SPECIFIED)		DIMENSION STYLE MM ONLY		SCALE 8:1	DESIGN UNITS METRIC	THIRD ANGLE PROJECTION
	10 UNDER	±0.2	DRAWN BY S. AIHARA	DATE '96/02/27	TITLE 0.5 B/B CONN REC HOUSING ASSY(W/O BOSS, W/O NAIL) -LEAD FREE-		
	10 OVER 30 UNDER	±0.25	CHECKED BY M. SASAO	DATE '01/12/26			
	30 OVER	±0.3	APPROVED BY M. SASAO	DATE '01/12/26	MOLEX INCORPORATED		
ANGULAR	±3 °	MATERIAL NO. SEE CHART	DOCUMENT NO. SD-52991-004	SHEET NO. 1 OF 1			
D	DRAFT WHERE APPLICABLE MUST REMAIN WITHIN DIMENSIONS		SIZE A3		THIS DRAWING CONTAINS INFORMATION THAT IS PROPRIETARY TO MOLEX INCORPORATED AND SHOULD NOT BE USED WITHOUT WRITTEN PERMISSION		

NOTES

- 製品詳細寸法については図面 SD-52991-004 を参照下さい。
RE DETAILED DIMENSION, SEE SD-52991-004
- 梱包数量：3000個/リール
NUMBER OF CONNECTORS : 3000PCS/REEL
- リードテープ長さ LEAD TAPE LENGTH



- トップテープの剥離強度：0.1N~1.3N (10gf~130gf) (剥離方向は下図参照)
尚、本規格値は出荷時に適用。(但し、輸送時に剥離が発生しないこと。)
PEELING OFF FORCE OF TOP TAPE : 0.1N~1.3N (10gf~130gf)
(PEELING DIRECTION AS SHOWN IN FOLLOWING FIG.)
THIS REQUIREMENT SHOULD BE APPLIED AT SHIPMENT.
PEEL OFF SHOULD NOT BE ALLOWED , DURING TRANSPORTATION.



- 材料 (MATERIAL)
キャリアテープ (CARRIER TAPE) : ポリプロピレン (POLYPROPYLENE)
トップテープ (TOPTAPE) : PET , PE , PEF
リール (REEL) : ポリスチレン (PS) <リサイクル材を含む>
POLYSTYREN (PS) <RECYCLE MATERIAL CONTAINED>

52991-***8 MODEL NO.

REVISED EC NO: J2006-0604 DRW:NAIDA 2005/08/31 CHK:KTOYODA 2005/09/01 APP:NUKITA 2005/09/09	GENERAL TOLERANCES (UNLESS SPECIFIED)		DIMENSION STYLE MM ONLY		SCALE ---	DESIGN UNITS METRIC	THIRD ANGLE PROJECTION	
	10 UNDER	± 0.2	DRAWN BY T. NIITSU	DATE '95/10/17	TITLE 0.5 B/B CONN REC HSG ASSY EMBSTP PKG -LEAD FREE-			
	10 OVER 30 UNDER	± 0.25	CHECKED BY T. ITO	DATE '01/01/31	MOLEX INCORPORATED			
	30 OVER	± 0.3	APPROVED BY M. FUKUSHIMA	DATE '01/01/31	DOCUMENT NO. SD-52991-005			
	ANGULAR	± 3 °	MATERIAL NO. SEE CHART		SHEET NO. 1 OF 6			
D	DRAFT WHERE APPLICABLE MUST REMAIN WITHIN DIMENSIONS		SIZE A3		THIS DRAWING CONTAINS INFORMATION THAT IS PROPRIETARY TO MOLEX INCORPORATED AND SHOULD NOT BE USED WITHOUT WRITTEN PERMISSION			

10 9 8 7 6 5 4 3 2 1

F

E

D

C

B

A

F

E

D

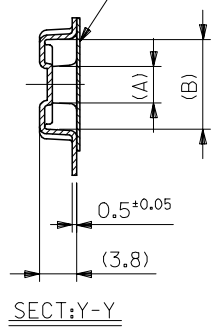
C

B

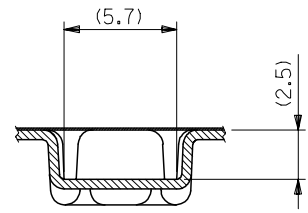
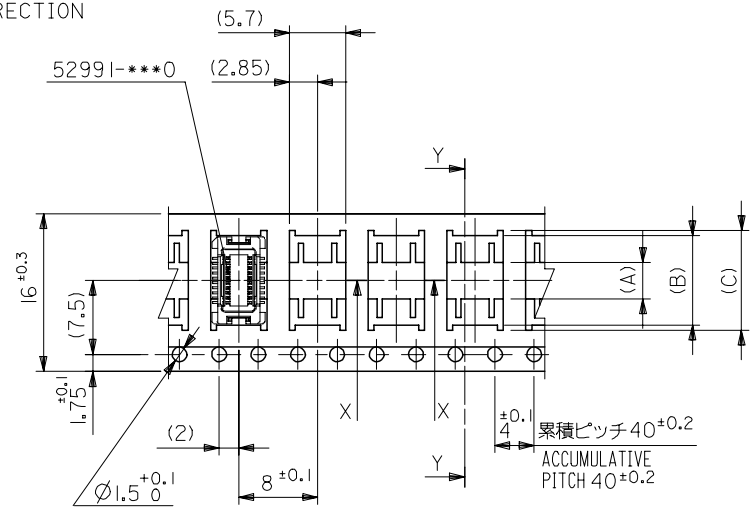
A

引き出し方向
PULL OUT DIRECTION

トップテープ
TOP TAPE



SECT:Y-Y



SECT:X-X
(SCALE 4:1)

16mm幅キャリアテープ
16mm WIDTH CARRIER TAPE

REVISED		EC NO: J2006-0604		2005/08/31		2005/09/01		2005/09/09		52991-***8		MODEL NO.		16	21.4	17.4	10.1	9.1	3.7	52991-0208	20								
DRWN:NAIDA		CHKD:TOYODA		APPR:NUKITA		GENERAL TOLERANCES (UNLESS SPECIFIED)		DIMENSION STYLE		SCALE		DESIGN UNITS		CARRIER TAPE WIDTH		E		D		(C)		(B)		(A)		MATERIAL NO.		極数	
10 UNDER		± ---		DRAWN BY		DATE		MM ONLY		---		METRIC		THIRD ANGLE PROJECTION		T.NIITSU		'95/10/17		TITLE		0.5 B/B CONN REC HSG		ASSY EMBSTP PKG		-LEAD FREE-			
10 OVER 30 UNDER		± ---		CHECKED BY		DATE		T.ITO		'01/01/31		APPROVED BY		DATE		M.FUKUSHIMA		'01/01/31		MOLEX		MOLEX INCORPORATED		DOCUMENT NO.		SD-52991-005		SHEET NO.	
30 OVER		± ---		ANGULAR		± --- °		DRAFT WHERE APPLICABLE		MUST REMAIN		WITHIN DIMENSIONS		SEE CHART		SIZE		A3		THIS DRAWING CONTAINS INFORMATION THAT IS PROPRIETARY TO MOLEX		INCORPORATED AND SHOULD NOT BE USED WITHOUT WRITTEN PERMISSION		2 OF 6					

10 9 8 7 6 5 4 3 2 1

F

E

D

C

B

A

F

E

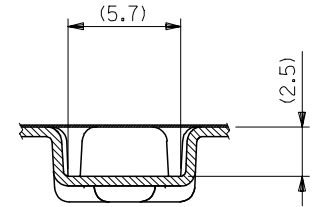
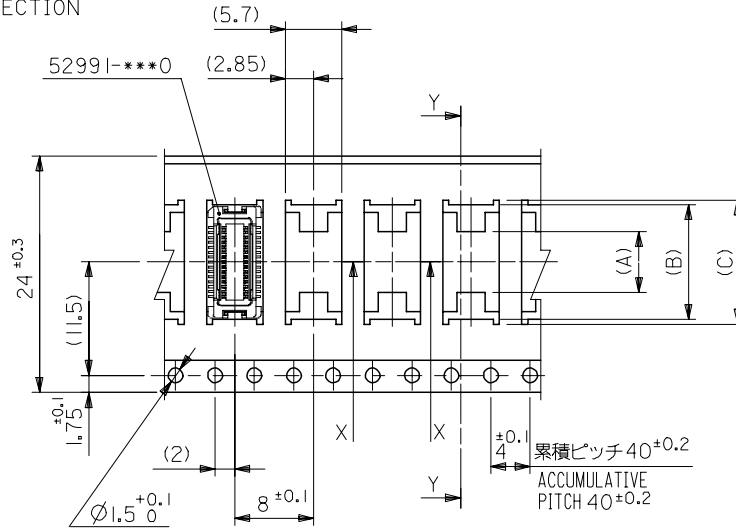
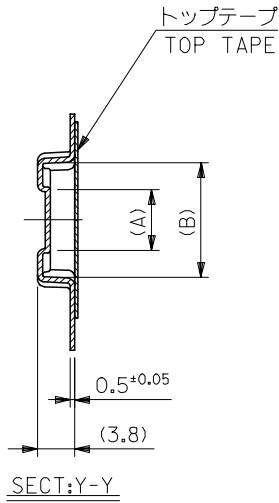
D

C

B

A

引き出し方向
PULL OUT DIRECTION



24mm幅キャリアテープ
24mm WIDTH CARRIER TAPE

24	29.4	25.4	15.1	14.1	7.4	52991-0408	40
			12.6	11.6	4.9	52991-0308	30
キャリアテープ幅 CARRIER TAPE WIDTH	E	D	(C)	(B)	(A)	MATERIAL NO.	極数 CKT.

REVISED EC NO: J2006-0604 DRWN:NAIDA 2005/08/31 CHKD:KTOYODA 2005/09/01 APPR:NUKITA 2005/09/09	DESCRIPTION	52991-***8	MODEL NO.	DIMENSION STYLE MM ONLY		SCALE ---	DESIGN UNITS METRIC	THIRD ANGLE PROJECTION
	GENERAL TOLERANCES (UNLESS SPECIFIED)	10 UNDER ± ---		DRAWN BY S. AIHARA		DATE '96/04/01		TITLE 0.5 B/B CONN REC HSG ASSY EMBSTP PKG -LEAD FREE-
		10 OVER 30 UNDER ± ---		CHECKED BY T. ITO		DATE '01/01/31		MOLEX INCORPORATED
		30 OVER ± ---		APPROVED BY M. FUKUSHIMA		DATE '01/01/31		
	ANGULAR ± --- °	DRAFT WHERE APPLICABLE MUST REMAIN WITHIN DIMENSIONS		MATERIAL NO. SEE CHART		DOCUMENT NO. SD-52991-005		SHEET NO. 3 OF 6
				SIZE A3		THIS DRAWING CONTAINS INFORMATION THAT IS PROPRIETARY TO MOLEX INCORPORATED AND SHOULD NOT BE USED WITHOUT WRITTEN PERMISSION		

10 9 8 7 6 5 4 3 2 1

F

E

D

C

B

A

F

E

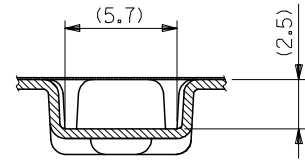
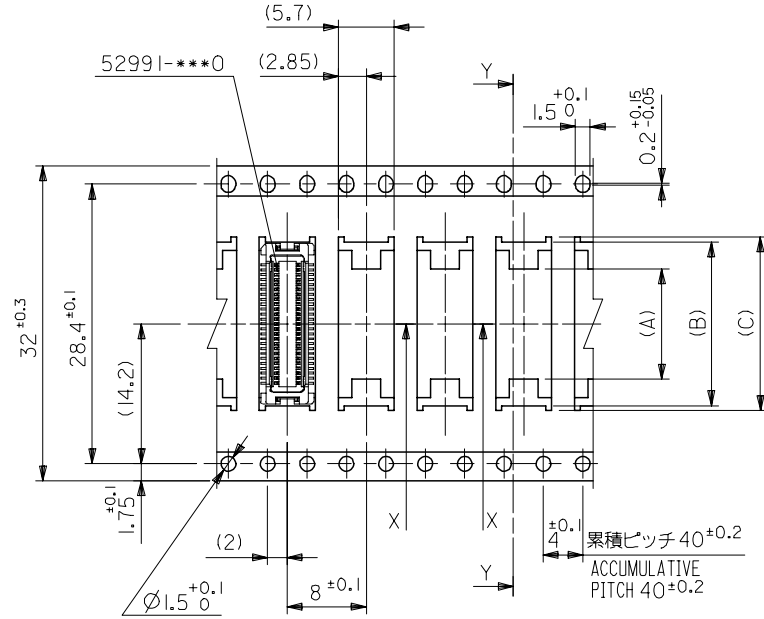
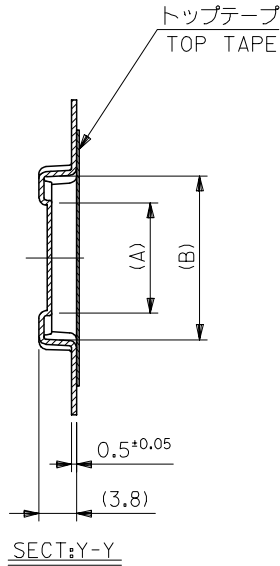
D

C

B

A

引き出し方向
PULL OUT DIRECTION



32mm幅キャリアテープ
32mm WIDTH CARRIER TAPE

32	37.4	33.4	17.6	16.6	11.2	52991-0508	50
キャリアテープ幅 CARRIER TAPE WIDTH	E	D	(C)	(B)	(A)	MATERIAL NO.	極数 CKT.

REVISED	EC NO: J2006-0604	2005/08/31
	DRW:NAIDA	2005/09/01
	CHK:KTOYODA	2005/09/01
	APP:NUKITA	2005/09/09
D	REV	

52991-***8	MODEL NO.
GENERAL TOLERANCES (UNLESS SPECIFIED)	
10 UNDER	± ---
10 OVER 30 UNDER	± ---
30 OVER	± ---
ANGULAR	± --- °
DRAFT WHERE APPLICABLE MUST REMAIN WITHIN DIMENSIONS	

DIMENSION STYLE MM ONLY		SCALE ---	DESIGN UNITS METRIC	THIRD ANGLE PROJECTION
DRAWN BY T. YASUI	DATE '96/04/15	TITLE 0.5 B/B CONN REC HSG ASSY EMBSTP PKG -LEAD FREE-		
CHECKED BY T. ITO	DATE '01/01/31	MOLEX INCORPORATED		
APPROVED BY M. FUKUSHIMA	DATE '01/01/31	MATERIAL NO.	DOCUMENT NO. SD-52991-005	SHEET NO. 4 OF 6
SIZE A3 THIS DRAWING CONTAINS INFORMATION THAT IS PROPRIETARY TO MOLEX INCORPORATED AND SHOULD NOT BE USED WITHOUT WRITTEN PERMISSION				

9

8

7

6

5

4

3

2

10 9 8 7 6 5 4 3 2 1

F

E

D

C

B

A

F

E

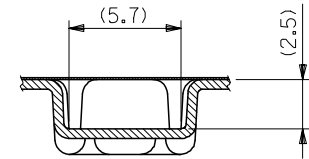
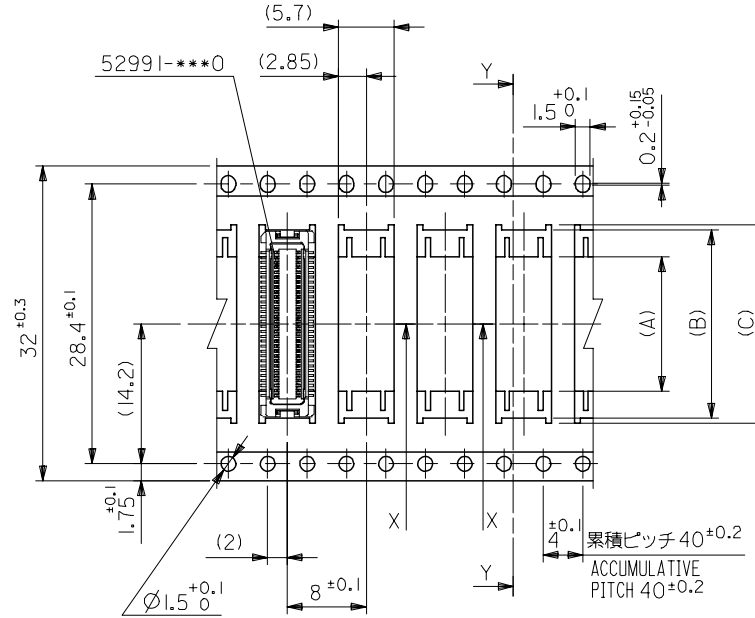
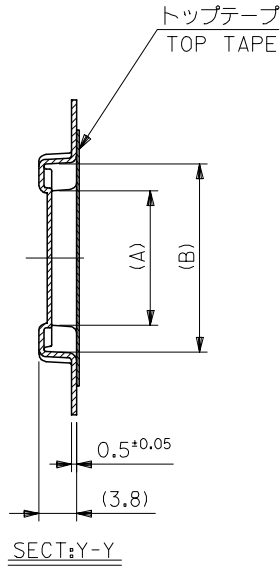
D

C

B

A

引き出し方向
PULL OUT DIRECTION



32mm幅キャリアテープ
32mm WIDTH CARRIER TAPE

REVISED	EC NO: J2006-0604	2005/08/31	DRWN:NAIDA	2005/09/01	CHKD:KTOYODA	2005/09/01	APPR:NUKITA	2005/09/09	
DESCRIPTION	52991-***8 MODEL NO.								
REV	GENERAL TOLERANCES (UNLESS SPECIFIED)								
	10 UNDER	± ---	DIMENSION STYLE MM ONLY						SCALE ---
	10 OVER 30 UNDER	± ---	DRAWN BY S. AIHARA						DATE '96/04/01
	30 OVER	± ---	CHECKED BY T. ITO						DATE '01/01/31
	ANGULAR	± --- °	APPROVED BY M. FUKUSHIMA						DATE '01/01/31
	DRAFT WHERE APPLICABLE MUST REMAIN WITHIN DIMENSIONS		MATERIAL NO. SEE CHART						DOCUMENT NO. SD-52991-005
			SIZE A3						THIS DRAWING CONTAINS INFORMATION THAT IS PROPRIETARY TO MOLEX INCORPORATED AND SHOULD NOT BE USED WITHOUT WRITTEN PERMISSION

10 9 8 7 6 5 4 3 2 1

F

E

D

C

B

A

F

E

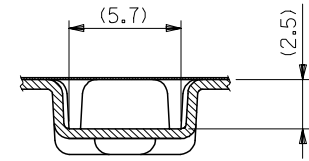
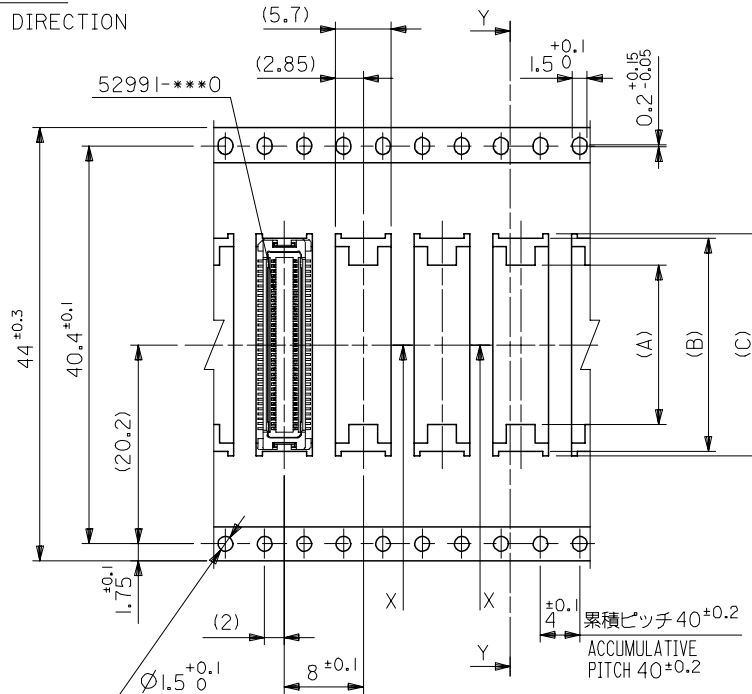
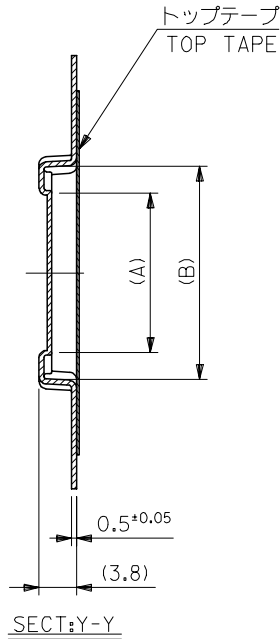
D

C

B

A

引き出し方向
PULL OUT DIRECTION



SECT:X-X
(SCALE 4:1)

44mm幅キャリアテープ
44mm WIDTH CARRIER TAPE

44	49.4	45.4	25.1	24.1	18.7	52991-0808	80
			22.6	21.6	16.2	52991-0708	70
キャリアテープ幅 CARRIER TAPE WIDTH	E	D	(C)	(B)	(A)	MATERIAL NO.	極数 CKT.

REVISED EC NO: J2006-0604 DRW:NAIDA 2005/08/31 CHK:KTOYODA 2005/09/01 APP:NUKITA 2005/09/09	DESCRIPTION	52991-***8	MODEL NO.	DIMENSION STYLE	SCALE	DESIGN UNITS	THIRD ANGLE PROJECTION
	GENERAL TOLERANCES (UNLESS SPECIFIED)			MM ONLY	---	METRIC	
	10 UNDER ± ---			DRAWN BY	DATE	TITLE	
	10 OVER 30 UNDER ± ---			T. YASUI	'96/04/15	0.5 B/B CONN REC HSG ASSY EMBSTP PKG -LEAD FREE-	
30 OVER ± ---			CHECKED BY	DATE			
ANGULAR ± --- °			T. ITO	'01/01/31			
DRAFT WHERE APPLICABLE MUST REMAIN WITHIN DIMENSIONS			APPROVED BY	DATE			
			M. FUKUSHIMA	'01/01/31			
			MATERIAL NO.	DOCUMENT NO.		SHEET NO.	
			SEE CHART	SD-52991-005		6 OF 6	
			SIZE	THIS DRAWING CONTAINS INFORMATION THAT IS PROPRIETARY TO MOLEX INCORPORATED AND SHOULD NOT BE USED WITHOUT WRITTEN PERMISSION			
			A3				

9

8

7

6

5

4

3

2