



Chipsmall Limited consists of a professional team with an average of over 10 year of expertise in the distribution of electronic components. Based in Hongkong, we have already established firm and mutual-benefit business relationships with customers from,Europe,America and south Asia,supplying obsolete and hard-to-find components to meet their specific needs.

With the principle of “Quality Parts,Customers Priority,Honest Operation,and Considerate Service”,our business mainly focus on the distribution of electronic components. Line cards we deal with include Microchip,ALPS,ROHM,Xilinx,Pulse,ON,Everlight and Freescale. Main products comprise IC,Modules,Potentiometer,IC Socket,Relay,Connector.Our parts cover such applications as commercial,industrial, and automotives areas.

We are looking forward to setting up business relationship with you and hope to provide you with the best service and solution. Let us make a better world for our industry!



Contact us

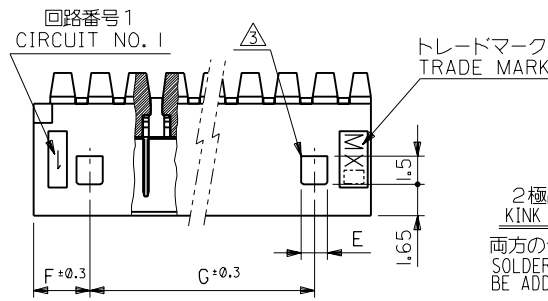
Tel: +86-755-8981 8866 Fax: +86-755-8427 6832

Email & Skype: info@chipsmall.com Web: www.chipsmall.com

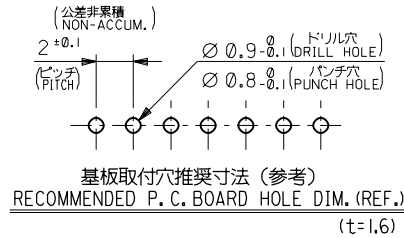
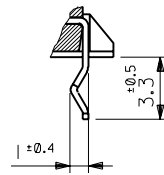
Address: A1208, Overseas Decoration Building, #122 Zhenhua RD., Futian, Shenzhen, China



DWG. NO. SD-53015-***10
 DIMENSIONS IN METRIC DO NOT SCALE DRAWING

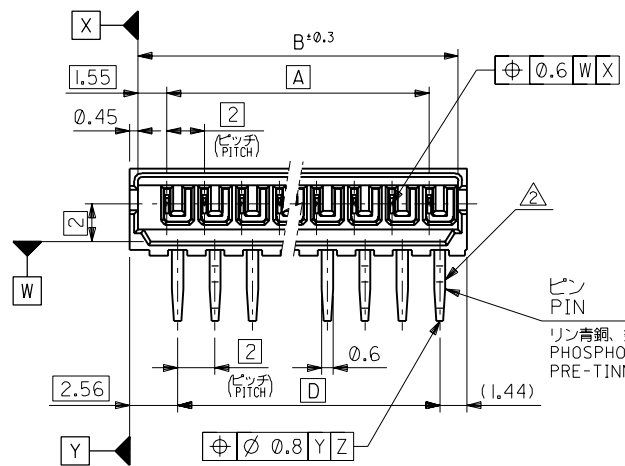


2極品のキング形態図
 KINK FORM FOR 2 CKTS.
 両方のテールにキングを施す。
 SOLDER TAIL KINK SHOULD
 BE ADDED ON BOTH TAILS.

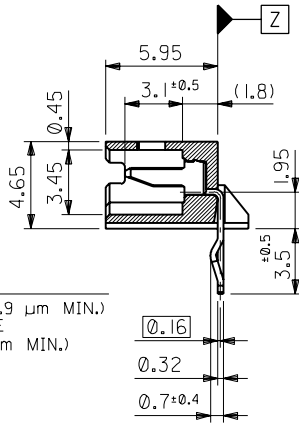


注記 NOTES

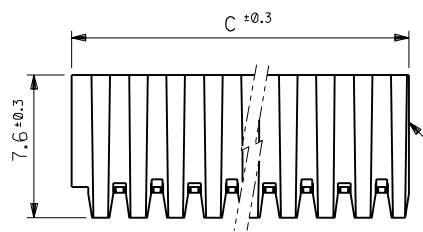
1. 嵌合相手 : 510Q4 シリーズ
MATES WITH : 510Q4 SERIES
- △ 3極以上のキングは、1極おきに2カ所以上に施すこと。
KINK TO BE ADDED ON THE ODD NUMBER SOLDER TAILS.(FROM THE TRADE MARK SIDE)
- △ ロック穴は、2極と3極は1カ所、4極以上は2カ所とする。
LOCKING HOLE : ONE PLACE FOR 2 AND 3 CKTS. TWO PLACES FOR 4 AND MORE THAN 4 CKTS.



ピン PIN
 リン青銅、錫メッキ (0.9 μm MIN.)
 PHOSPHOR BRONZE
 PRE-TINNED(0.9 μm MIN.)



26	3	1.4	28	32	31.1	28	53015-1510	15
24	↑	↑	26	30	29.1	26	↑ -1410	14
22			24	28	27.1	24	-1310	13
20			22	26	25.1	22	-1210	12
18			20	24	23.1	20	-1110	11
16			18	22	21.1	18	-1010	10
14			16	20	19.1	16	-0910	9
12			14	18	17.1	14	-0810	8
10			12	16	15.1	12	-0710	7
8			10	14	13.1	10	-0610	6
6	↓	↓	8	12	11.1	8	-0510	5
4	3	1.4	6	10	9.1	6	-0410	4
—	4	3.4	4	8	7.1	4	↓ -0310	3
—	3	1.4	2	6	5.1	2	53015-0210	2
G	F	E	D	C	B	A	ENG. NO.	極数 NO. OF CKTS.



ガラス繊維入りナイロン66 (カラー: オフホワイト)
 GLASS FILLED NYLON66 (COLOR: OFF-WHITE)
 UL94V-0

角度 ANGLE ±3° 30以上 OVER ±0.3 10以上 30未満 UNDER ±0.25 10未満 UNDER ±0.2	一般公差 GENERAL TOLERANCES 記号 LTR 変更内容 REVISION RECORD 再作図及び変更 REDRAWN & REVISED (LS0279) 変更内容 REVISION RECORD	H.H. M.F. '93/3/31 H.HIRAMOTO H.HIRAMOTO APP'D BY '93/3/31 尺度 SCALE 4 - 1 M.FUKUSHIMA	材料 MATERIAL 図中参照 SEE DWG. 仕上げ FINISH — — — 適用電線範囲 WIRE RANGE — — — 被覆外径 INS. RANGE — — — DRAWN BY '93/3/31 CHK'D BY '93/3/31 H.HIRAMOTO H.HIRAMOTO APP'D BY '93/3/31 尺度 SCALE 4 - 1 M.FUKUSHIMA	MOLEX JAPAN CO., LTD. 日本モレックス株式会社 REVISE ONLY ON CAD SYSTEM TITLE 名称 2.0 LOW PROFILE WAFER ASS'Y R/A DWG. NO. SD-53015-***10 REV E
--	--	--	--	---