



Chipsmall Limited consists of a professional team with an average of over 10 year of expertise in the distribution of electronic components. Based in Hongkong, we have already established firm and mutual-benefit business relationships with customers from,Europe,America and south Asia,supplying obsolete and hard-to-find components to meet their specific needs.

With the principle of “Quality Parts,Customers Priority,Honest Operation,and Considerate Service”,our business mainly focus on the distribution of electronic components. Line cards we deal with include Microchip,ALPS,ROHM,Xilinx,Pulse,ON,Everlight and Freescale. Main products comprise IC,Modules,Potentiometer,IC Socket,Relay,Connector.Our parts cover such applications as commercial,industrial, and automotives areas.

We are looking forward to setting up business relationship with you and hope to provide you with the best service and solution. Let us make a better world for our industry!



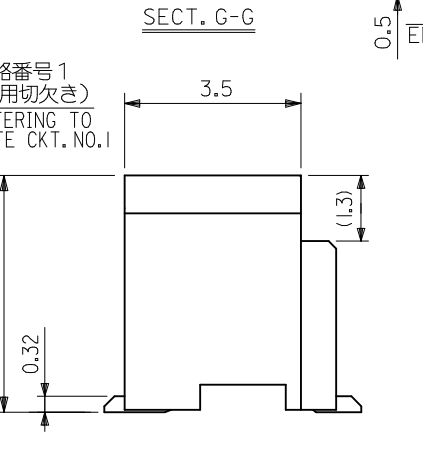
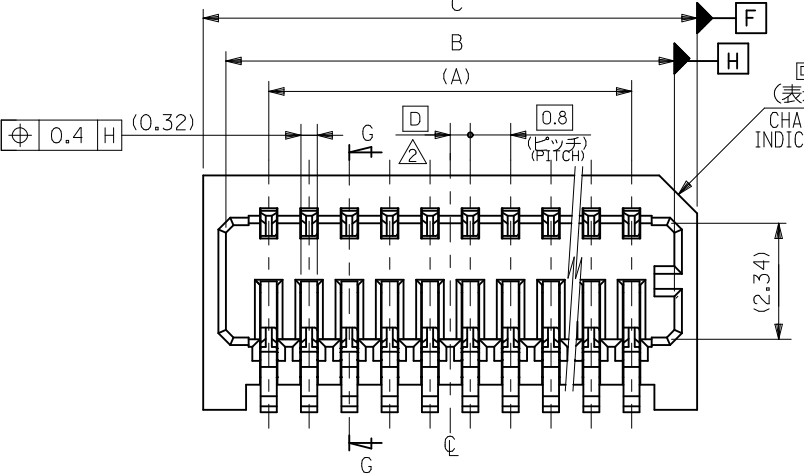
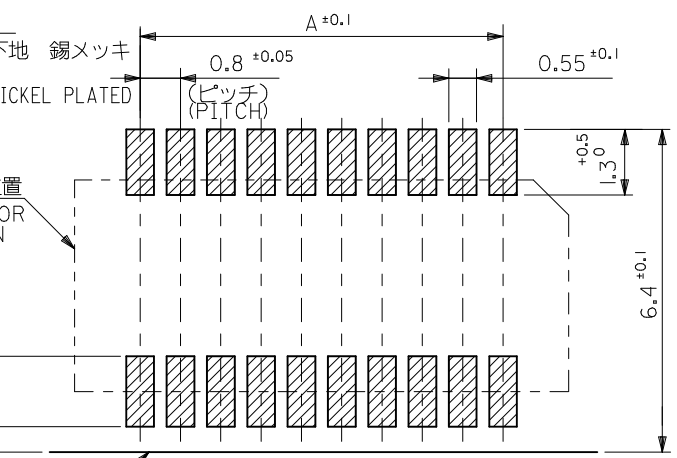
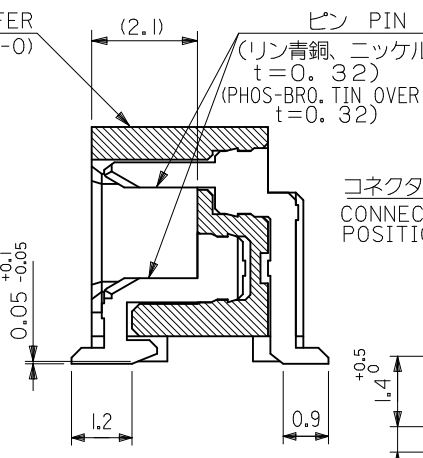
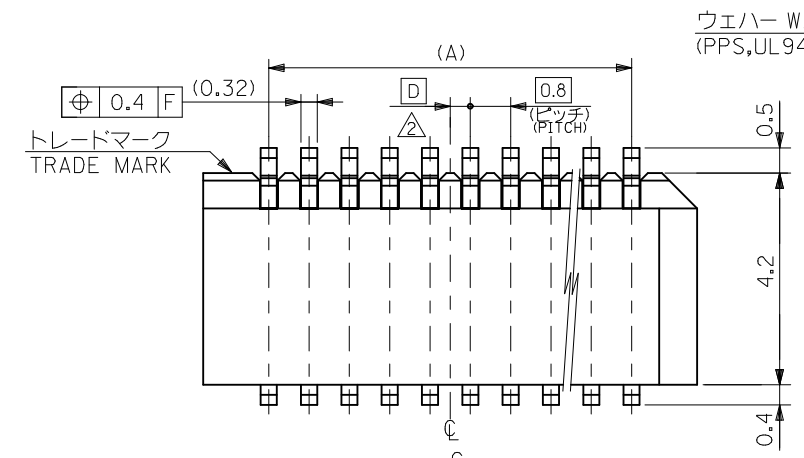
Contact us

Tel: +86-755-8981 8866 Fax: +86-755-8427 6832

Email & Skype: info@chipsmall.com Web: www.chipsmall.com

Address: A1208, Overseas Decoration Building, #122 Zhenhua RD., Futian, Shenzhen, China



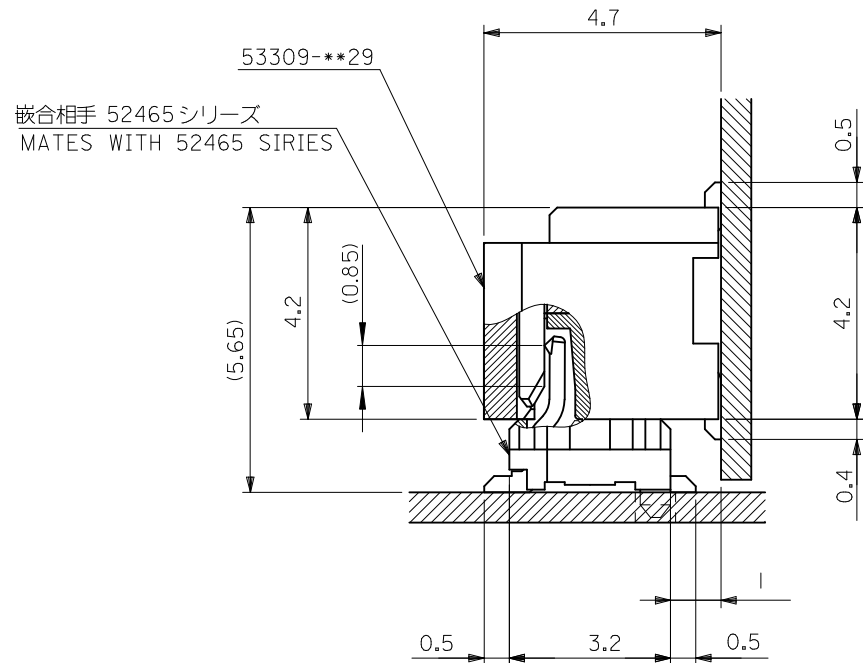


0.4	17.8	16.9	15.2	53309-4029	40
0.8	17.0	16.1	14.4	-3829	38
0.4	16.2	15.3	13.6	-3629	36
0.8	15.4	14.5	12.8	-3429	34
0.4	14.6	13.7	12.0	-3229	32
0.8	13.8	12.9	11.2	-3029	30
0.4	13.0	12.1	10.4	-2829	28
0.8	12.2	11.3	9.6	-2629	26
0.4	11.4	10.5	8.8	-2429	24
0.8	10.6	9.7	8.0	-2229	22
0.4	9.8	8.9	7.2	-2029	20
0.8	9.0	8.1	6.4	-1829	18
0.4	8.2	7.3	5.6	-1629	16
0.8	7.4	6.5	4.8	-1429	14
0.4	6.6	5.7	4.0	-1229	12
0.8	5.8	4.9	3.2	53309-1029	10

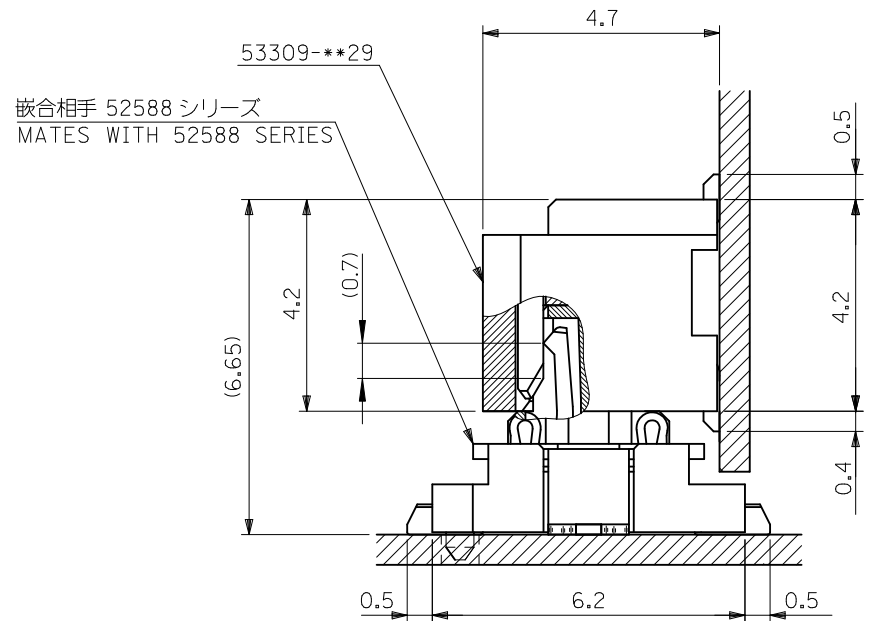
注記 NOTES

1. 嵌合相手: 52465,52588 シリーズ
MATE WITH : 52465,52588 SERIES
2. ウェハーの C から隣接するピンの C 迄の位置を示す。
SHOW POSITION FROM C OF WAFER TO C OF ADJACENT PINS.
3. 本製品は 53309-**27 の鉛フリー品である。
THIS PRODUCT IS LEAD FREE OF 53309-**27

REVISED EC NO.: J2010-1285 DRWN: YON002 2009/12/17 CHKD: SMARUYAMA 2009/12/17 APPR: SMARUYAMA 2009/12/17	GENERAL TOLERANCES (UNLESS SPECIFIED)		DIMENSION STYLE MM ONLY		SCALE ---	DESIGN UNITS METRIC		THIRD ANGLE PROJECTION	
	10 UNDER	±0.2	DRAWN BY M. NINOMIYA	DATE 2004/03/10	TITLE 0.8 B/B CONN.WAFER ASS'Y R/A SMT(WITHOUT BOSS)				
	10 OVER 30 UNDER	±0.25	CHECKED BY K. TOJO	DATE 2004/03/10	MOLEX INCORPORATED				
	30 OVER	±0.3	APPROVED BY M. SASAO	DATE 2004/03/10	DOCUMENT NO. SD-53309-011				
REV	ANGULAR ±3 °		MATERIAL NO. SEE TABLE		SHEET NO. 1 OF 2				
DRAFT WHERE APPLICABLE MUST REMAIN WITHIN DIMENSIONS		SIZE A3		THIS DRAWING CONTAINS INFORMATION THAT IS PROPRIETARY TO MOLEX INCORPORATED AND SHOULD NOT BE USED WITHOUT WRITTEN PERMISSION					



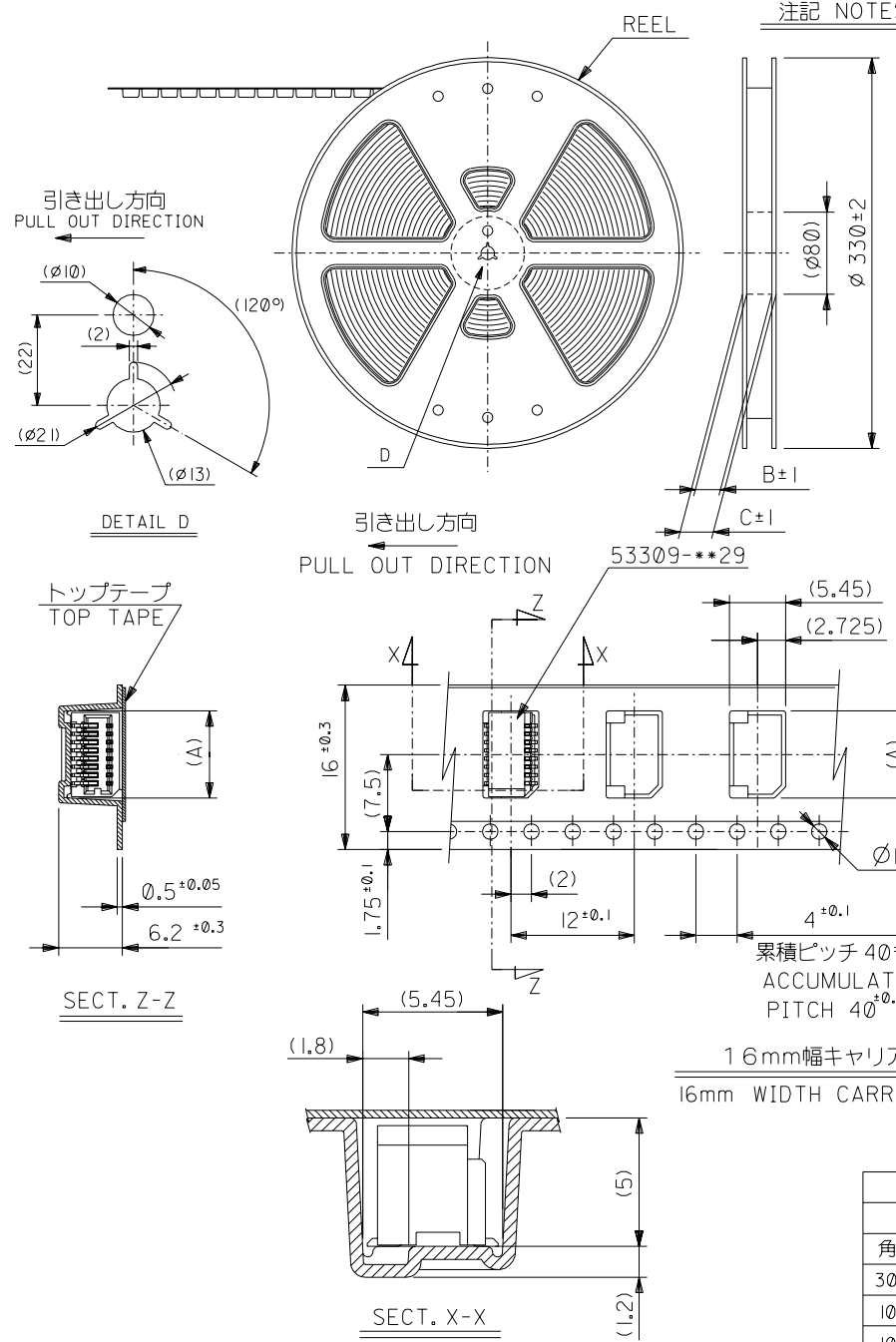
嵌合状態図 (参考)
 MATED DRAWING(REF.)



嵌合状態図 (参考)
 MATED DRAWING(REF.)

REVISED EC NO: J2010-1285 DRWN: YON002 CHKD: SMARUYAMA APPR: SMARUYAMA	DESCRIPTION REV	GENERAL TOLERANCES (UNLESS SPECIFIED)		DIMENSION STYLE MM ONLY		SCALE ---	DESIGN UNITS METRIC	THIRD ANGLE PROJECTION	
		10 UNDER	±0.2	DRAWN BY M. NINOMIYA	DATE 2004/03/10	TITLE 0.8 B/B CONN. WAFER ASS'Y R/A SMT(WITHOUT BOSS)			
		10 OVER 30 UNDER	±0.25	CHECKED BY K. TOJO	DATE 2004/03/10	MOLEX INCORPORATED			
		30 OVER	±0.3	APPROVED BY M. SASAO	DATE 2004/03/10	MATERIAL NO. SEE SHEET 1		DOCUMENT NO. SD-53309-011	SHEET NO. 2 OF 2
ANGULAR ±3 °		DRAFT WHERE APPLICABLE MUST REMAIN WITHIN DIMENSIONS		THIS DRAWING CONTAINS INFORMATION THAT IS PROPRIETARY TO MOLEX INCORPORATED AND SHOULD NOT BE USED WITHOUT WRITTEN PERMISSION					

DWG. NO. SD-53309-012

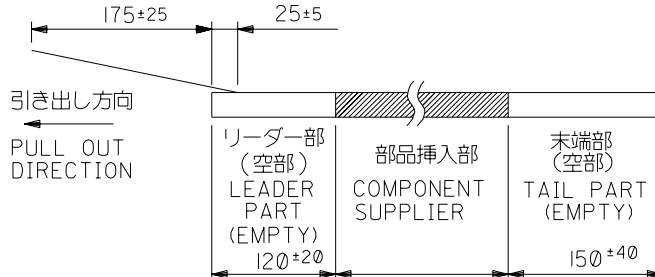


注記 NOTES

1. 梱包数量：1000個/リール NUMBER OF CONNECTORS:1000PCS/REEL

2. リードテープ長さ LEAD TAPE LENGTH

トップテープ TOP TAPE
リーダー部 LEADER PART
未接着部 NON-BONDED PART



3. トップテープの剥離強度：(剥離方向は下図参照)

0. 1N~1.3N {10gf~130gf} 尚、本規格値は、出荷時に適用。
(但し、輸送時に剥離が発生しない事。)

PEELING OFF FORCE OF TOP TAPE

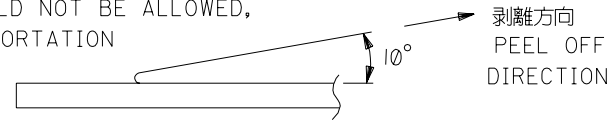
0. 1N~1.3N(10gf~130gf) (PEELING DIRECTION AS SHOWN IN FOLLOWING FIG.)

THIS REQUIREMENT SHOULD BE APPLIED AT SHIPMENT

PEEL OFF SHOULD NOT BE ALLOWED,

DURING TRANSPORTATION

引き出し方向
PULL OUT DIRECTION



4. 材料

キャリアテープ：ポリプロピレン (PP)
トップテープ：PET, PE, PEF
リール：ポリスチレン (PS)

MATERIAL

CARRIER TAPE:POLYPROPYLENE

TOP TAPE:PET,PE,PEF

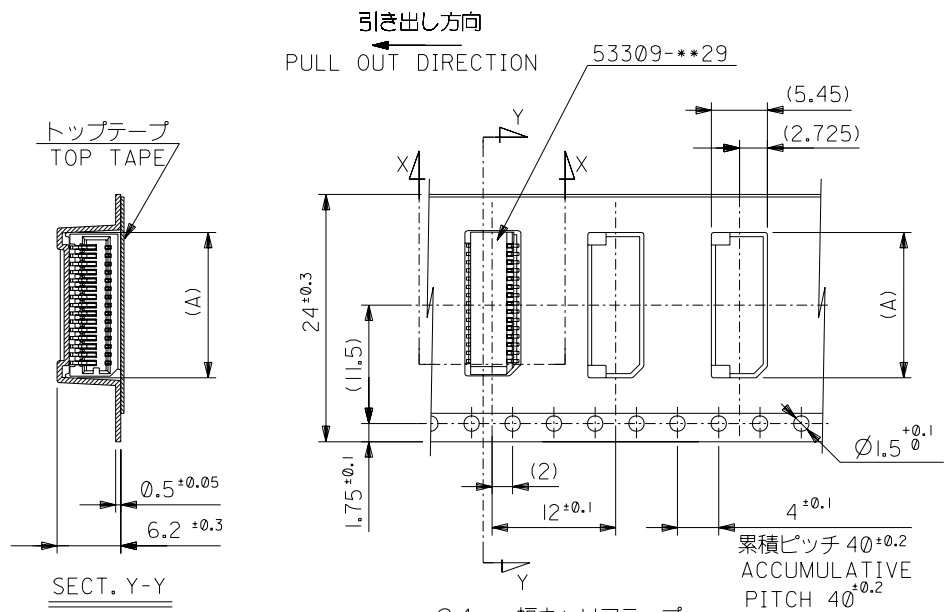
REEL:POLYSTYRENE(PS)

<RECYCLE MATERIAL CONTAINED>

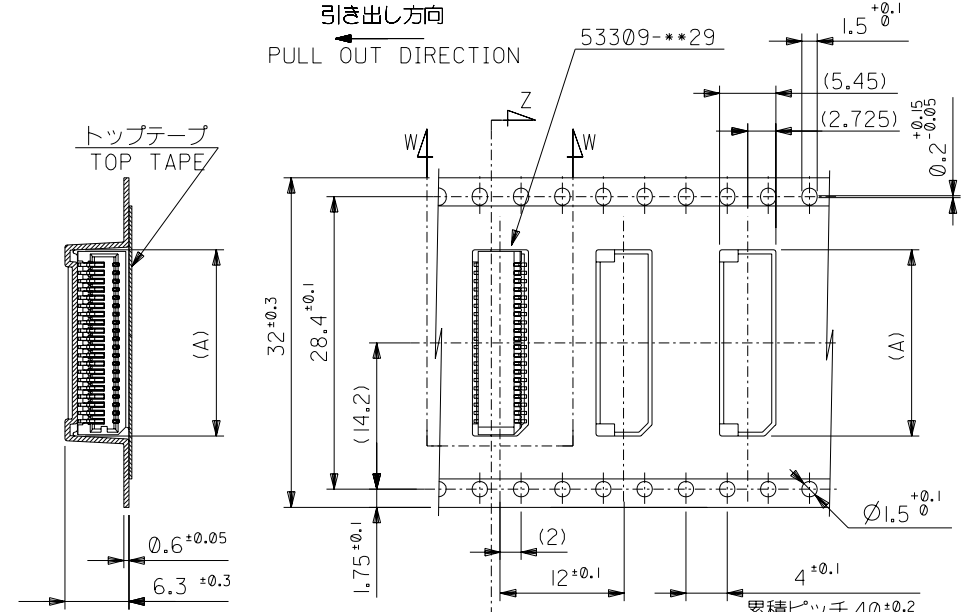
5. 本製品は 53309-**91 の鉛フリー品である。
THIS PRODUCT IS LEAD FREE OF 53309-**91.

16	21.4	17.4	9.3	53309-1870	18
			8.5	53309-1670	16
			7.7	53309-1470	14
			6.9	53309-1270	12
			6.1	53309-1070	10
キャリアテープ幅 CARRIER TAPE WIDTH	C	B	(A)	MATERIAL NO.	極数 CIRCUIT

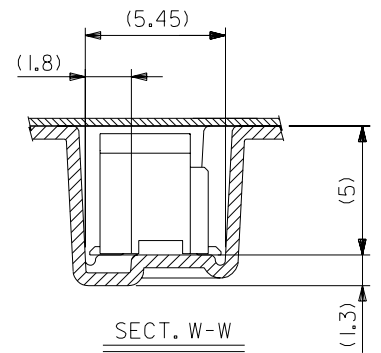
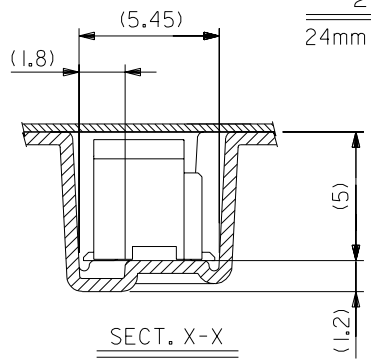
53309-**70		材料 MATERIAL		注記参照 SEE NOTES		MATERIAL NO.	
MODEL NO.		仕上げ FINISH		—		REVISE ONLY ON CAD SYSTEM	
角度 ANGLE		適用電線範囲 WIRE RANGE		—		TITLE 名称	
30°以上 OVER		被覆外径 INS. RANGE		—		0.8 BtB Conn Wafer Assy	
10°以上 OVER 30°未下 UNDER		DRAWN BY 04/03/10 M.NINOMIYA		CHK'D BY 04/03/10 K.TOJO		RA SMT Without Boss	
未下 UNDER		APPRO'D BY 04/03/10 M.SASAO		尺度 SCALE		Embstp Pkg	
— 一般公差 GENERAL TOLERANCES		記号 LTR		変更内容 REVISION RECORD		— LEAD FREE-	
		DR. CHK.		日付 DATE		DWG. NO. (SHEET 1 OF 2) REV	
		M.N.		04/03/10		SD-53309-012 0	



24mm幅キャリアテープ
24mm WIDTH CARRIER TAPE



32mm幅キャリアテープ
32mm WIDTH CARRIER TAPE



24	29.4	25.4	16.5	53309-3670	36
			15.7	53309-3470	34
			14.9	53309-3270	32
			14.1	53309-3070	30
			13.3	53309-2870	28
			12.5	53309-2670	26
			11.7	53309-2470	24
			10.9	53309-2270	22
10.1	53309-2070	20			
キャリアテープ幅 CARRIER TAPE WIDTH	C	B	(A)	MATERIAL NO.	極数 CIRCUIT

53309-***70		M.N.	
MODEL NO.		K.1	
角度 ANGLE	+3°	DATE	04/03/10
30以上 OVER	+0.3	DR.	M.SASAO
10以上 30未満 UNDER	+0.25	CHK.	日付
未満 10 UNDER	+0.2	REVISION RECORD	尺 寸
一般公差 GENERAL TOLERANCES	記号 LTR	変更内容 REVISION RECORD	尺 寸 SCALE

32	37.4	33.4	18.1	53309-4070	40
キャリアテープ幅 CARRIER TAPE WIDTH	C	B	(A)	53309-3870	38
			MATERIAL NO.		極数 CIRCUIT

材料 MATERIAL
SHEET 1 OF 2 参照 REFER TO SHEET 1 OF 2
仕上げ FINISH —
適用電線範囲 WIRE RANGE —
被覆外径 INS. RANGE —
DRAWN BY 04/03/10 M.NINOMIYA
CHK'D BY 04/03/10 K.TOJO
MATERIAL NO. M.SASAO

材料 MOLEX-JAPAN CO.,LTD.
日本モレックス株式会社
REVISE ONLY ON CAD SYSTEM
TITLE 名称
0.8 BtB Wafer Assy
RA SMT Without Boss
Embstp Pkg
-LEAD FREE-

DWG. NO. (SHEET 2 OF 2) REV 0
SD-53309-012