



Chipsmall Limited consists of a professional team with an average of over 10 year of expertise in the distribution of electronic components. Based in Hongkong, we have already established firm and mutual-benefit business relationships with customers from,Europe,America and south Asia,supplying obsolete and hard-to-find components to meet their specific needs.

With the principle of “Quality Parts,Customers Priority,Honest Operation,and Considerate Service”,our business mainly focus on the distribution of electronic components. Line cards we deal with include Microchip,ALPS,ROHM,Xilinx,Pulse,ON,Everlight and Freescale. Main products comprise IC,Modules,Potentiometer,IC Socket,Relay,Connector.Our parts cover such applications as commercial,industrial, and automotives areas.

We are looking forward to setting up business relationship with you and hope to provide you with the best service and solution. Let us make a better world for our industry!



Contact us

Tel: +86-755-8981 8866 Fax: +86-755-8427 6832

Email & Skype: info@chipsmall.com Web: www.chipsmall.com

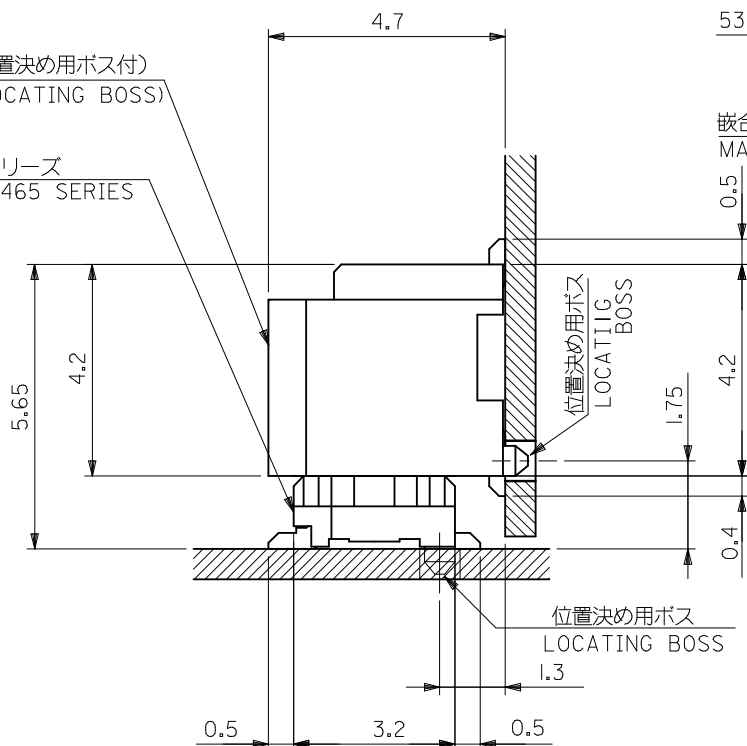
Address: A1208, Overseas Decoration Building, #122 Zhenhua RD., Futian, Shenzhen, China



10 9 8 7 6 5 4 3 2 1

53309-***19 (位置決め用ボス付)
(WITH LOCATING BOSS)

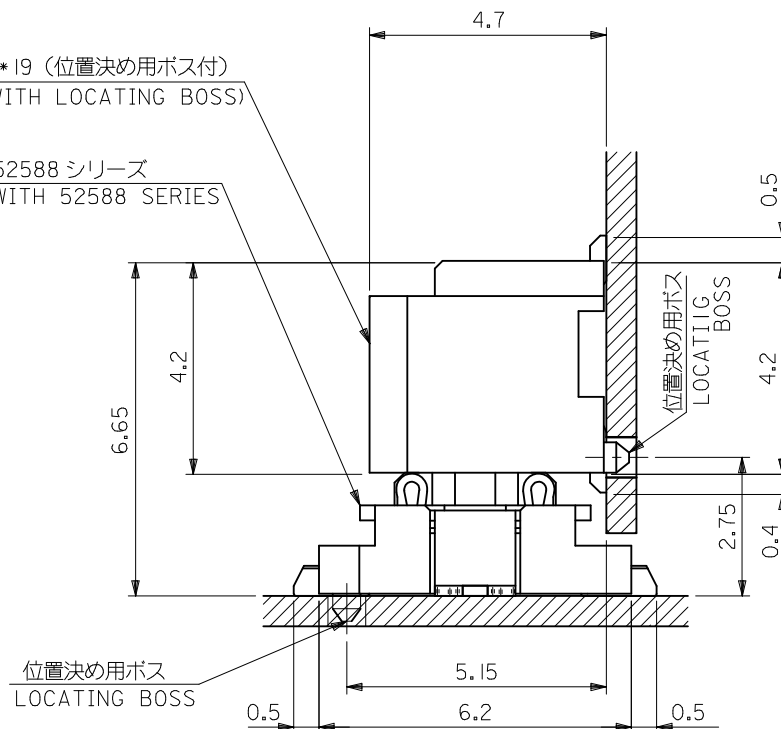
嵌合相手 52465 シリーズ
MATES WITH 52465 SERIES



嵌合状態図 (参考)
MATED DRAWING(REF.)

53309-***19 (位置決め用ボス付)
(WITH LOCATING BOSS)

嵌合相手 52588 シリーズ
MATES WITH 52588 SERIES



嵌合状態図 (参考)
MATED DRAWING(REF.)

MODEL NO. 53309-***19

DESIGN UNITS METRIC THIRD ANGLE PROJECTION

REVISED EC NO: J2014-0465 DRWN: Y. SHIDA 2013/09/13 CHKD: T. SAKAWA 2013/09/13 APPR: T. SAKAWA 2013/09/13	GENERAL TOLERANCES (UNLESS SPECIFIED)	
	10 UNDER	±0.2
	10 OVER 30 UNDER	±0.25
	30 OVER	±0.3
	ANGULAR	±3°
	DRAFT WHERE APPLICABLE MUST REMAIN WITHIN DIMENSIONS	

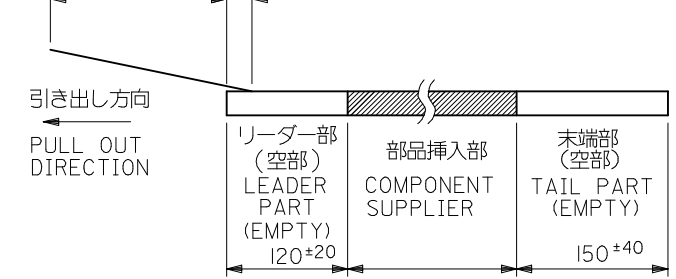
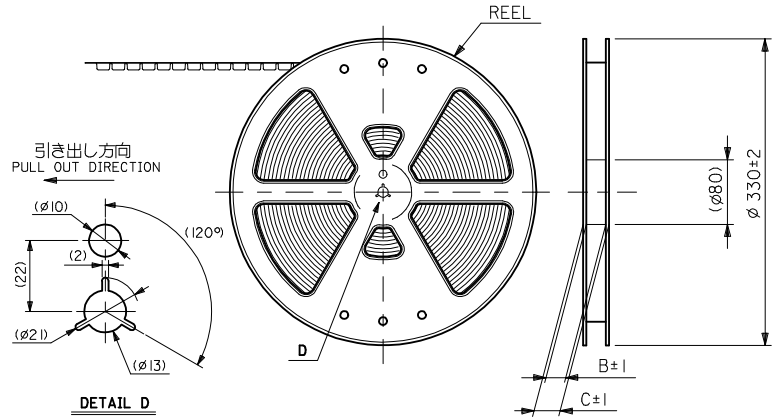
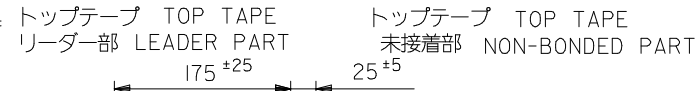
DIMENSION STYLE MM ONLY	
DRAWN BY	DATE
HKAWABATA	2004/03/10
CHECKED BY	DATE
KTOJO	2004/03/10
APPROVED BY	DATE
MSASAO	2004/03/10
MATERIAL NO.	
REFER TO SHEET 1 OF 2	
SIZE	
A3	

TITLE	
0.8 B/B CONN SMT WITH BOSS -LEAD FREE-	
molex	
DOCUMENT NO.	SHEET NO.
SD-53309-013	2 OF 2

9 8 7 6 5 4 3 2

1. 梱包数量：1000個/リール NUMBER OF CONNECTORS:1000PCS/REEL
2. リードテープ長さ LEAD TAPE LENGTH

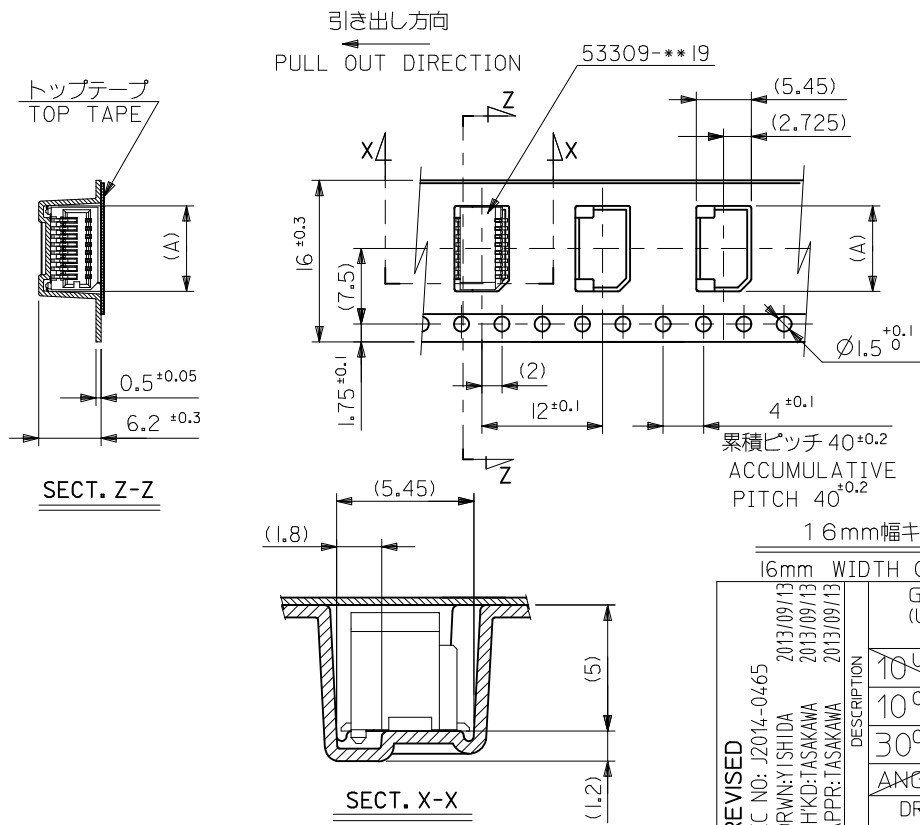
注記 NOTES



3. トップテープの剥離強度：(剥離方向は下図参照)
 0.1~1.3N {10~130gf} 尚、本規格値は、出荷時に適用。
 (但し、輸送時に剥離が発生しない事。)
 PEELING OFF FORCE OF TOP TAPE
 0.1~1.3N {10~130gf} (PEELING DIRECTION AS SHOWN IN FOLLOWING FIG.)
 THIS REQUIREMENT SHOULD BE APPLIED AT SHIPMENT
 PEEL OFF SHOULD NOT BE ALLOWED,
 DURING TRANSPORTATION



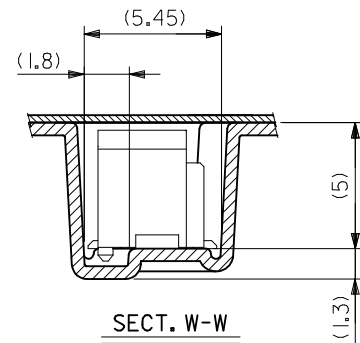
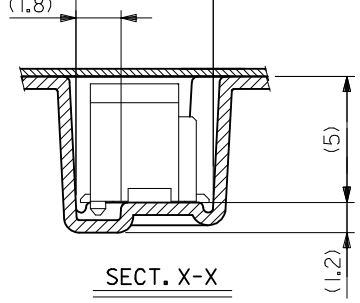
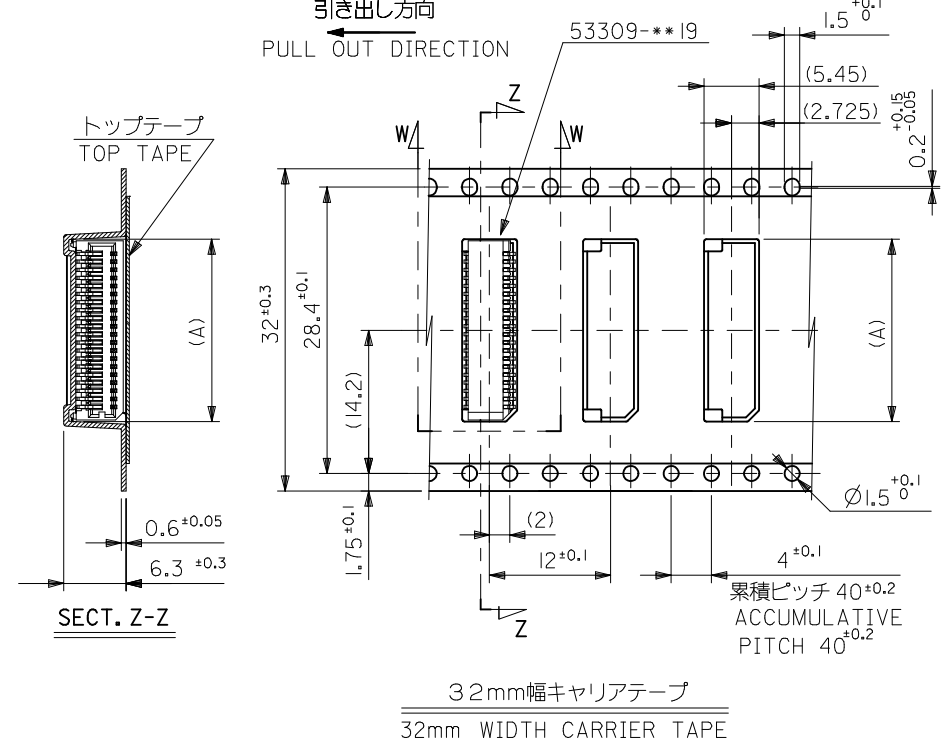
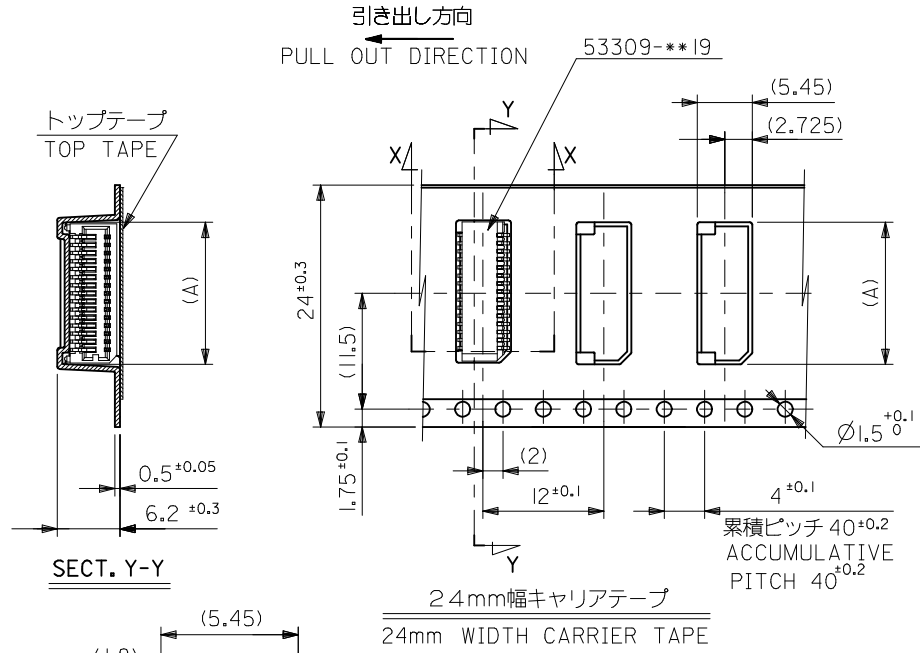
5. 材料(MATERIAL)
 キャリアテープ(CARRIER TAPE)：ポリプロピレン(POLYPROPYLENE)
 トップテープ(TOPTAPE)：PET, PE, PEF
 リール(REEL)：ポリスチレン(PS) <リサイクル材を含む>
 POLYSTYREN(PS) <RECYCLE MATERIAL CONTAINED>
6. 本製品は53309-**-90の鉛フリー品である。
 THIS PRODUCT IS LEAD FREE OF 53309-**90.



16	21.4	17.4	9.3	53309-1871	18				
			8.5	53309-1671	16				
			7.7	53309-1471	14				
			6.9	53309-1271	12				
			6.1	53309-1071	10				
16mm幅キャリアテープ CARRIER TAPE WIDTH			53309-**71	キャリアテープ幅 CARRIER TAPE WIDTH	C	B	(A)	MATERIAL NO.	極数 CIRCUIT

REVISED EC NO: J2014-0465 2013/09/13 DRWN: YSHIDA CHKD: TASAKAWA APPR: TASAKAWA 2013/09/13	DESCRIPTION	GENERAL TOLERANCES (UNLESS SPECIFIED)		DIMENSION STYLE MM ONLY		SCALE ---	DESIGN UNITS METRIC	THIRD ANGLE PROJECTION	
		10 UNDER	±0.2	DRAWN BY HKAWABATA	DATE 2004/03/10	TITLE 0.8 BTB CONN WAFER ASSY EMBSTP PKG -LEAD FREE-			
		10 OVER 30 UNDER	±0.25	CHECKED BY KTOJO	DATE 2004/03/10				
		30 OVER	±0.3	APPROVED BY MSASAO	DATE 2004/03/10				
A	REV	ANGULAR	±3°	MATERIAL NO. SEE NOTES		DOCUMENT NO. SD-53309-014		SHEET NO. 1 OF 2	
		DRAFT WHERE APPLICABLE MUST REMAIN WITHIN DIMENSIONS		THIS DRAWING CONTAINS INFORMATION THAT IS PROPRIETARY TO MOLEX INCORPORATED AND SHOULD NOT BE USED WITHOUT WRITTEN PERMISSION					

10 9 8 7 6 5 4 3 2 1



24	29.4	25.4	16.5	53309-3671	36
			15.7	53309-3471	34
			14.9	53309-3271	32
			14.1	53309-3071	30
			13.3	53309-2871	28
			12.5	53309-2671	26
			11.7	53309-2471	24
			10.9	53309-2271	22
			10.1	53309-2071	20
キャリアテープ幅 CARRIER TAPE WIDTH	C	B	(A)	MATERIAL NO.	極数 CIRCUIT

REVISED
 EC NO: J2014-0465
 DRWN: Y. SHIDA 2013/09/13
 CHKD: TASAKAWA 2013/09/13
 APPR: TASAKAWA 2013/09/13

DESCRIPTION
 GENERAL TOLERANCES (UNLESS SPECIFIED)
 10 UNDER ±0.2
 10 OVER 30 UNDER ±0.25
 30 OVER ±0.3
 ANGULAR ±3°
 DRAFT WHERE APPLICABLE MUST REMAIN WITHIN DIMENSIONS

32	37.4	33.4	18.1	53309-4071	40
			17.3	53309-3871	38
53309-***71 MODEL NO.	キャリアテープ幅 CARRIER TAPE WIDTH	C	B	(A)	MATERIAL NO. 極数 CIRCUIT
DIMENSION STYLE MM ONLY		SCALE ---	DESIGN UNITS METRIC		
DRAWN BY HKAWABATA		DATE 2004/03/10		TITLE 0.8 BTB CONN WAFER ASSY EMBSTP PKG -LEAD FREE-	
CHECKED BY KTOJO		DATE 2004/03/10			
APPROVED BY MSASAO		DATE 2004/03/10			
MATERIAL NO.		DOCUMENT NO. SD-53309-014		SHEET NO. 2 OF 2	
REFER TO SHEET 1 OF 2					
THIS DRAWING CONTAINS INFORMATION THAT IS PROPRIETARY TO MOLEX INCORPORATED AND SHOULD NOT BE USED WITHOUT WRITTEN PERMISSION					