



Chipsmall Limited consists of a professional team with an average of over 10 year of expertise in the distribution of electronic components. Based in Hongkong, we have already established firm and mutual-benefit business relationships with customers from,Europe,America and south Asia,supplying obsolete and hard-to-find components to meet their specific needs.

With the principle of "Quality Parts,Customers Priority,Honest Operation,and Considerate Service",our business mainly focus on the distribution of electronic components. Line cards we deal with include Microchip,ALPS,ROHM,Xilinx,Pulse,ON,Everlight and Freescale. Main products comprise IC,Modules,Potentiometer,IC Socket,Relay,Connector.Our parts cover such applications as commercial,industrial, and automotives areas.

We are looking forward to setting up business relationship with you and hope to provide you with the best service and solution. Let us make a better world for our industry!



## Contact us

Tel: +86-755-8981 8866 Fax: +86-755-8427 6832

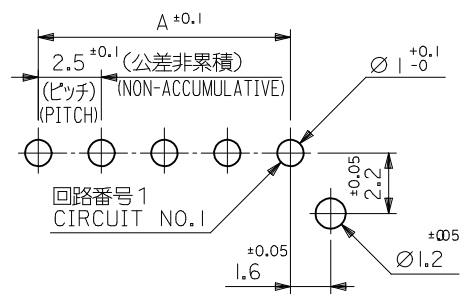
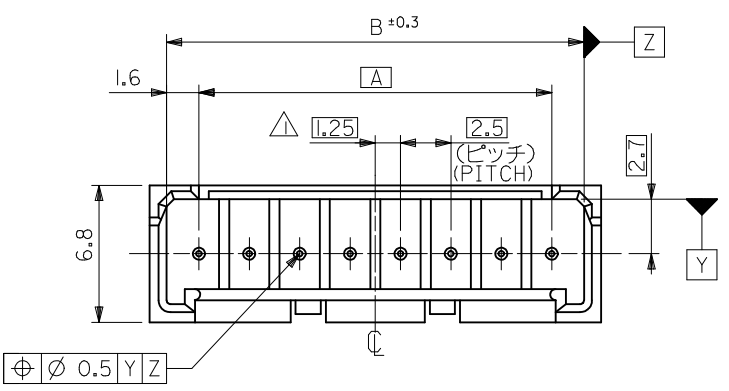
Email & Skype: info@chipsmall.com Web: www.chipsmall.com

Address: A1208, Overseas Decoration Building, #122 Zhenhua RD., Futian, Shenzhen, China



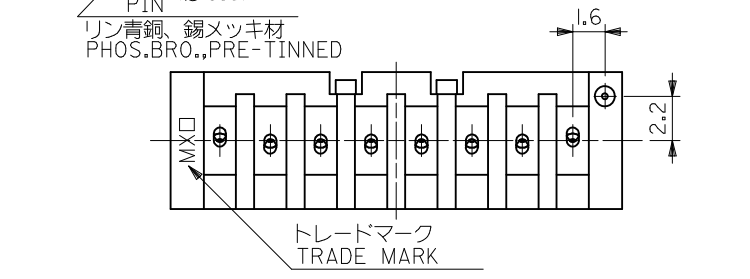
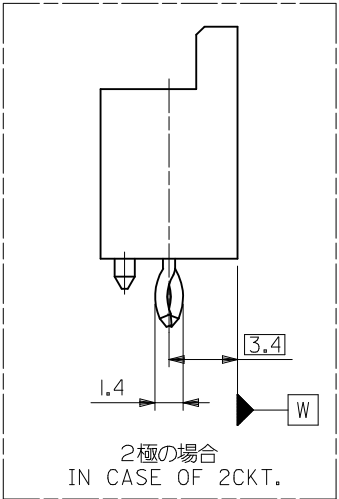
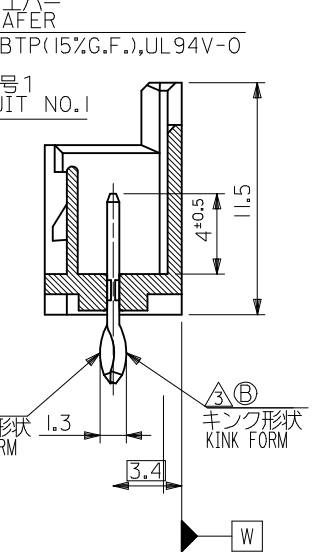
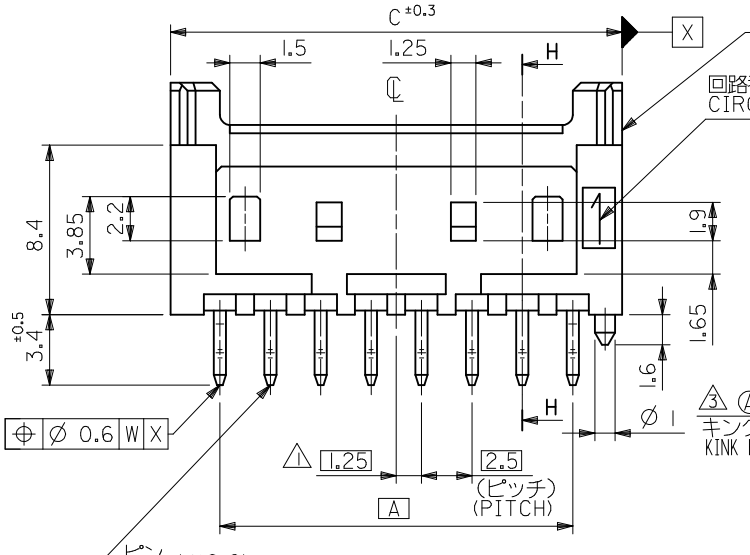
注記  
NOTES

- △ 偶数極品に適用。  
APPLIES ONLY TO EVEN NO. CKT. SIZES.
- 2. 嵌合相手：51103 シリーズ  
MATES WITH : 51103 SERIES.
- △ 3極以上のキンク形状は両サイドが(A)、その他の極はすべて(B)形状とする。  
KINK FORM  
MORE THAN 2 CIRCUIT:  
PINS AT BOTH ENDS ARE KINK FORMED TO (A),  
THE OTHER PINS ARE KINK FORMED TO (B).
- 4. 製品番号の下1桁は色を表します。  
LAST DIGIT OF PART NUMBER INDICATES COLOR.  
0: 白 WHITE    1: 黒 BLACK    2: 赤 RED  
3: 黄 YELLOW    4: 青 BLUE
- 5. 材料 ウエハー: PBTP(15%G.F.), UL94V-0  
WEFER  
ピン: リン青銅 錫メッキ 1.0μm以上  
下地銅メッキ 0.5μm以上  
PIN: PHOSPHOR BRONZE,  
TIN 1.0 micrometer MINMUM  
OVER COPPER 0.5 micrometer MINIMUM  
PLATING.



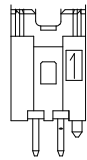
回路番号1  
CIRCUIT NO.1

基板取付穴推奨寸法 (マウント面)  
RECOMMENDED P.C.BOARD HOLE DIMENSION  
(MOUNTING SIDE)  
(t=1.6) (SCALE 5 : 1)

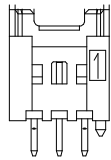


39.9	38.2	35	53375-15 *	15
37.4	35.7	32.5	↑ -14 *	14
34.9	33.2	30	-13 *	13
32.4	30.7	27.5	-12 *	12
29.9	28.2	25	-11 *	11
27.4	25.7	22.5	-10 *	10
24.9	23.2	20	-09 *	9
22.4	20.7	17.5	-08 *	8
19.9	18.2	15	-07 *	7
17.4	15.7	12.5	-06 *	6
14.9	13.2	10	-05 *	5
12.4	10.7	7.5	-04 *	4
9.9	8.2	5	-03 *	3
7.4	5.7	2.5	53375-02 *	2
C	B	A	POLY BAG PACKAGE ORDER NO. MODEL NO. 53375-xx *	極数 NO. OF CKTS.

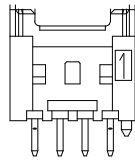
REVISED EC NO: J2013-1080 2013/04/01 DRWN:RHORI 2013/04/01 CHKD:KASAKAWA 2013/04/01 APPR:Y01TO 2013/04/01	GENERAL TOLERANCES (UNLESS SPECIFIED)		DIMENSION STYLE MM ONLY	SCALE 4:1	DESIGN UNITS METRIC	TITLE <b>2.5 W/B CONN WAFER ASSY WITH KINK -LEAD FREE-</b>  <b>molex</b> DOCUMENT NO. <b>SD-53375-001</b> SHEET NO. 1 OF 2
	10 UNDER	±0.2	DRAWN BY K. TOJO	DATE 1992/05/06		
	10 OVER 30 UNDER	±0.25	CHECKED BY H. HIRAMOTO	DATE 1994/03/08		
	30 OVER	±0.3	APPROVED BY M. FUKUSUMA	DATE 1994/03/08		
	ANGULAR	±3 °	MATERIAL NO.			
	DRAFT WHERE APPLICABLE MUST REMAIN WITHIN DIMENSIONS		SIZE A3	THIS DRAWING CONTAINS INFORMATION THAT IS PROPRIETARY TO MOLEX INCORPORATED AND SHOULD NOT BE USED WITHOUT WRITTEN PERMISSION		



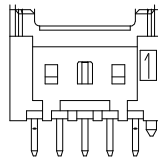
2極  
2 CKT.



3極  
3 CKT.



4極  
4 CKT.



5極  
5 CKT.

ロック形状図  
LOCK CONFIGURATION

53375-1514	53375-1513		53375-1510	15
			53375-1410	14
			53375-1310	13
53375-1214	53375-1213		53375-1210	12
			53375-1110	11
			53375-1010	10
			53375-0910	9
53375-0814		53375-0812	53375-0810	8
		53375-0712	53375-0710	7
53375-0614	53375-0613	53375-0612	53375-0610	6
		53375-0512	53375-0510	5
			53375-0410	4
			53375-0310	3
53375-0214	53375-0213	53375-0212	53375-0210	2
53375-**14 COLOR : BLUE	53375-**13 COLOR : YELLOW	53375-**12 COLOR : RED	53375**10 COLOR : WHITE	CKT.
TRAY PACKAGE ORDER No.				

REVISED EC NO: J2013-1080 2013/04/01 DRWNR:HORI 2013/04/01 CHKD:KASAKAWA 2013/04/01 APPR:YOKO 2013/04/01	GENERAL TOLERANCES (UNLESS SPECIFIED)		DIMENSION STYLE MM ONLY		SCALE 4:1	DESIGN UNITS METRIC	THIRD ANGLE PROJECTION
	10 UNDER	±0.2	DRAWN BY K. TOJO	DATE 1992/05/06	TITLE 2.5 W/B CONN WAFER ASSY WITH KINK -LEAD FREE- <b>molex</b>		
	10 OVER 30 UNDER	±0.25	CHECKED BY H. HIRAMOTO	DATE 1994/03/08			
	30 OVER	±0.3	APPROVED BY M. FUKUSUMA	DATE 1994/03/08			
ANGULAR	±3 °	MATERIAL NO. SEE TABLE		DOCUMENT NO. SD-53375-001	SHEET NO. 2 OF 2		
DRAFT WHERE APPLICABLE MUST REMAIN WITHIN DIMENSIONS		THIS DRAWING CONTAINS INFORMATION THAT IS PROPRIETARY TO MOLEX INCORPORATED AND SHOULD NOT BE USED WITHOUT WRITTEN PERMISSION					