



Chipsmall Limited consists of a professional team with an average of over 10 year of expertise in the distribution of electronic components. Based in Hongkong, we have already established firm and mutual-benefit business relationships with customers from,Europe,America and south Asia,supplying obsolete and hard-to-find components to meet their specific needs.

With the principle of “Quality Parts,Customers Priority,Honest Operation,and Considerate Service”,our business mainly focus on the distribution of electronic components. Line cards we deal with include Microchip,ALPS,ROHM,Xilinx,Pulse,ON,Everlight and Freescale. Main products comprise IC,Modules,Potentiometer,IC Socket,Relay,Connector.Our parts cover such applications as commercial,industrial, and automotives areas.

We are looking forward to setting up business relationship with you and hope to provide you with the best service and solution. Let us make a better world for our industry!



## Contact us

Tel: +86-755-8981 8866 Fax: +86-755-8427 6832

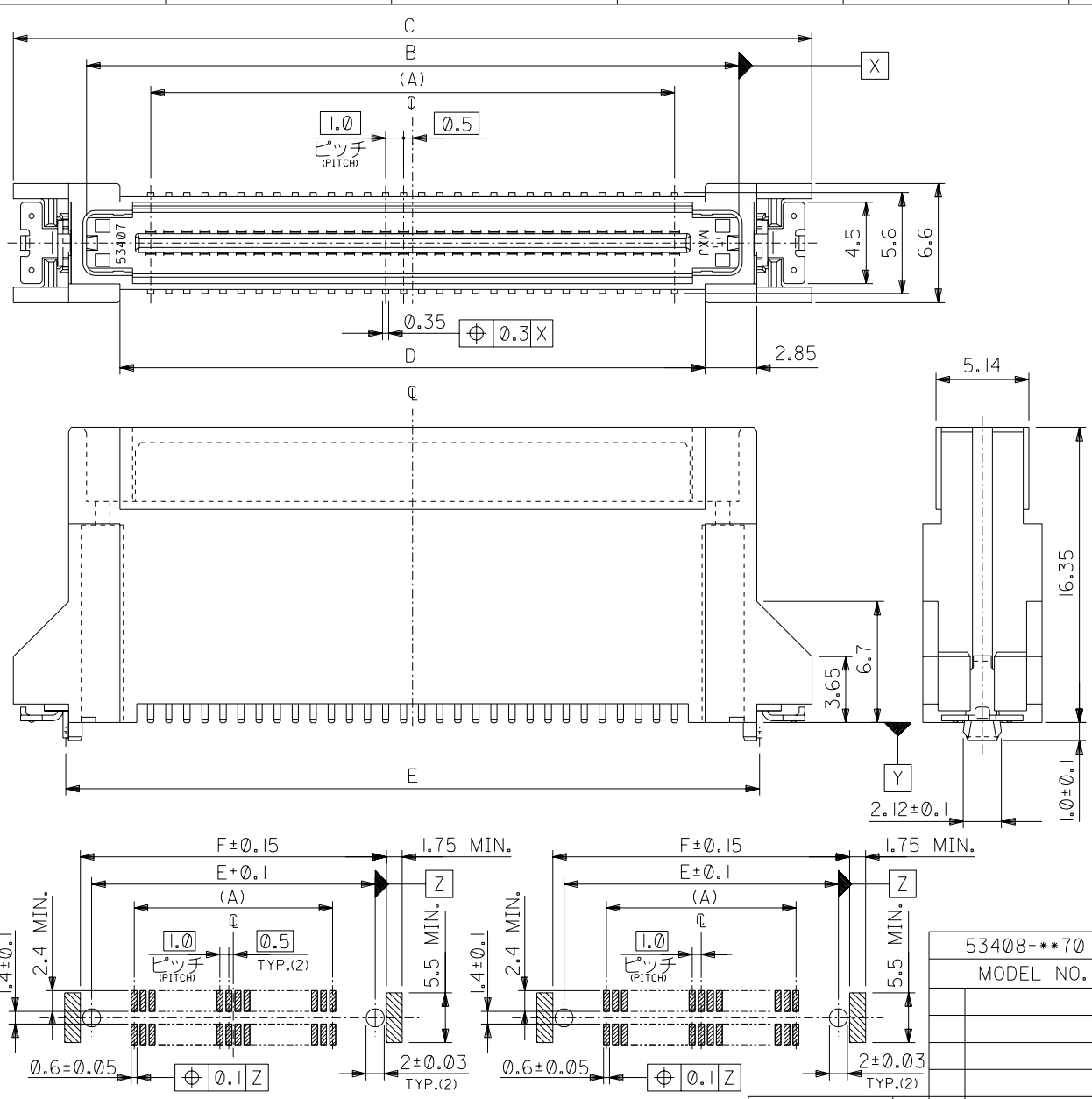
Email & Skype: info@chipsmall.com Web: www.chipsmall.com

Address: A1208, Overseas Decoration Building, #122 Zhenhua RD., Futian, Shenzhen, China

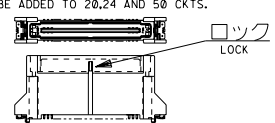


DWG. NO. SD-53408-007

ALL DIMENSIONS IN METRIC DO NOT SCALE DRAWING



- 注) NOTES
- 材質 MATERIAL  
ハウジング: ガラス入り LCP、白色、UL94V-0  
HOUSING: F.LCP, WHITE, UL94V-0  
ターミナル: 燐青銅 (t=0.2)  
TERMINAL: PHOSPHOR BRONZE  
金属ペグ: 燐青銅  
METAL PEG: PHOSPHOR BRONZE
  - メッキ仕様 PLATING  
ターミナル 接点部: 金メッキ 0.25 MICROMETER MIN.  
TERMINAL CONTACT AREA: GOLD 0.25 MICROMETER MIN.  
半田付け部: 錫メッキ 1.0 MICROMETER MIN.  
SOLDER TAIL AREA: TIN 1.0 MICROMETER MIN.  
下地メッキ: ニッケルメッキ 2.0 MICROMETER MIN.  
UNDER-PLATING: NICKEL 2.0 MICROMETER MIN.  
金属ペグ 半田付け部: 錫メッキ 1.0 MICROMETER MIN.  
METAL PEG SOLDER TAIL AREA: TIN 1.0 MICROMETER MIN.  
下地メッキ: ニッケルメッキ 1.0 MICROMETER MIN.  
UNDER-PLATING: NICKEL 1.0 MICROMETER MIN.
  - 推奨基板厚 RECOMMENDED PCB THICKNESS  
1.0±0.1mm
  - テールのバラツキ寸法 TAIL COPLANARITY  
テールは、Y面を基準とし、上へ 0.02 下へ 0.15 の範囲に  
めし、且つテール平坦度は 0.15 とする。  
TAILS TO BE WITHIN 0.02 UPWARD AND 0.15 DOWNWARD FROM Y-DATUM PLANE,  
AND TAIL COPLANARITY TO BE 0.15.
  - ロックは、20、24、50極に設置する。  
LOCK TO BE ADDED TO 20, 24 AND 50 CKTS.
  - 梱包 PACKAGING  
本製品はスティック梱包とし、梱包後の MATERIAL NO. は  
53408-\*\*-79とする。  
THIS PRODUCTS TO BE PACKED IN TUBE. MATERIAL NO.: 53408-\*\*-79
  - 同一基板内に複数個 (2個以上) の使用は避けてください。  
MXJ DOES NOT RECOMMEND THE USAGE OF TWO OR MORE OF THESE CONNECTORS  
BETWEEN A SINGLE PAIR OF P.C.BOARD.



80.9	78.4	72.4	84.2	76.02	69	53408-1470	140
70.9	68.4	62.4	74.2	66.02	59	53408-1270	120
60.9	58.4	52.4	64.2	56.02	49	53408-1070	100
50.9	48.4	42.4	54.2	46.02	39	53408-0870	80
40.9	38.4	32.4	44.2	36.02	29	53408-0670	60
35.9	33.4	27.4	39.2	31.02	24	53408-0570	50
22.9	20.4	14.4	26.2	18.02	11	53408-2470	24
20.9	18.4	12.4	24.2	16.02	9	53408-0270	20

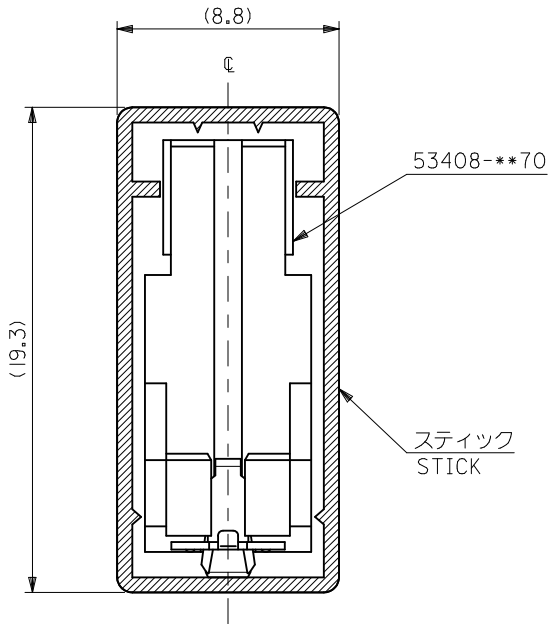
推奨基板寸法 (20, 24, 60, 80, 100, 120, 140極)  
RECOMMENDED PCB PATTERN LAYOUT (20, 24, 60, 80, 100, 120, 140CKTS.)

推奨基板寸法 (50極)  
RECOMMENDED PCB PATTERN LAYOUT (50 CKTS.)

8. 本製品は 53408-\*\*-\*\*0 の鉛フリー品である。  
THIS PRODUCT IS LEAD FREE OF 53408-\*\*-\*\*0

角度 ANGLE	±3°
30 以上 OVER	+0.3
10 以上 OVER 30 未満 UNDER	+0.25
未満 UNDER 10	+0.2
一般公差 GENERAL TOLERANCES	

53408-**-70		MODEL NO.		F	E	D	C	B	(A)	MATERIAL NO.	極数 NO. OF CKTS.
材料 MATERIAL		注参照 SEE NOTES		molex MOLEX-JAPAN CO., LTD. 日本モレックス株式会社							
仕上げ FINISH		注参照 SEE NOTES		REVISE ONLY ON CAD SYSTEM							
適用電線範囲 WIRE RANGE		—#—		TITLE 名称 1.0 B-T-O-B S/T PLUG HS'G ASS'Y -LEAD FREE-							
被覆外径 INS. RANGE		—#—		DRAWN BY '04/03/11 M.NINOMIYA K.TOJO							
DR. CHK.		DATE		DWG. NO. SD-53408-007							
APP'D BY '04/03/11 M.SASAO		尺度 SCALE		REV 0							



注記  
NOTES

1. スティック両端はキャップ止め。  
BOTH ENDS WITH CAPS.
2. 全 長 : 600 ± 2  
TOTAL LENGTH
3. 肉 厚 : 0.6 ± 0.2  
THICKNESS
4. 本製品は 53408-\*\*\*9 の鉛フリー品である。  
THIS PRODUCT IS LEAD FREE OF 53408-\*\*\*9.

6	53408-1479	140
7	53408-1279	120
8	53408-1079	100
10	53408-0879	80
13	53408-0679	60
14	53408-0579	50
21	53408-2479	24

MATERIAL

スティック : ポリ塩化ビニル  
STICK : P.V.C.

REVISED EC NO: J2010-1426 DRWRTS:RUOKA 2010/01/25 CHKD:THARUYAMA 2010/01/27 APPR:HIRATA 2010/01/27	DESCRIPTION	GENERAL TOLERANCES (UNLESS SPECIFIED)		53408-**79	MODEL NO.	梱包数 QUANTITY	MATERIAL No.	種数 NO. OF CKTS.	
		10 UNDER	± ---	DIMENSION STYLE MM ONLY		SCALE ---	DESIGN UNITS METRIC		
		10 OVER 30 UNDER	± ---	DRAWN BY MNINOMIYA		DATE '04/03/11		TITLE 53408-**70 STICK PACKAGING -LEAD FREE-	
		30 OVER	± ---	CHECKED BY KTOJO		DATE '04/03/11		APPROVED BY MSASAO	
ANGULAR ± --- °		DRAFT WHERE APPLICABLE MUST REMAIN WITHIN DIMENSIONS		MATERIAL NO. SEE TABLE		DOCUMENT NO. SD-53408-008		SHEET NO. 1 OF 1	
SIZE A3		THIS DRAWING CONTAINS INFORMATION THAT IS PROPRIETARY TO MOLEX INCORPORATED AND SHOULD NOT BE USED WITHOUT WRITTEN PERMISSION							