



Chipsmall Limited consists of a professional team with an average of over 10 year of expertise in the distribution of electronic components. Based in Hongkong, we have already established firm and mutual-benefit business relationships with customers from,Europe,America and south Asia,supplying obsolete and hard-to-find components to meet their specific needs.

With the principle of "Quality Parts,Customers Priority,Honest Operation,and Considerate Service",our business mainly focus on the distribution of electronic components. Line cards we deal with include Microchip,ALPS,ROHM,Xilinx,Pulse,ON,Everlight and Freescale. Main products comprise IC,Modules,Potentiometer,IC Socket,Relay,Connector.Our parts cover such applications as commercial,industrial, and automotives areas.

We are looking forward to setting up business relationship with you and hope to provide you with the best service and solution. Let us make a better world for our industry!



Contact us

Tel: +86-755-8981 8866 Fax: +86-755-8427 6832

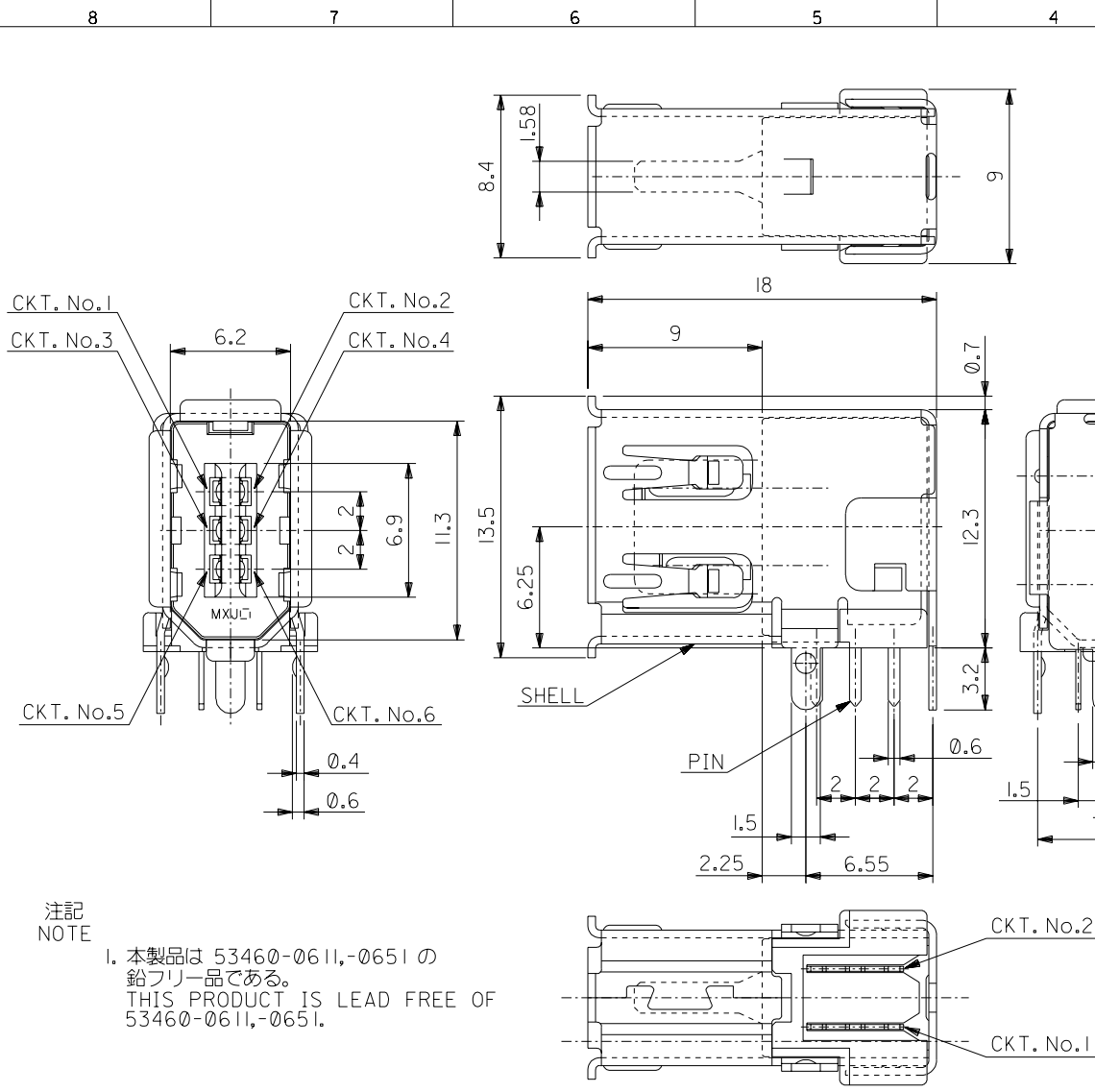
Email & Skype: info@chipsmall.com Web: www.chipsmall.com

Address: A1208, Overseas Decoration Building, #122 Zhenhua RD., Futian, Shenzhen, China

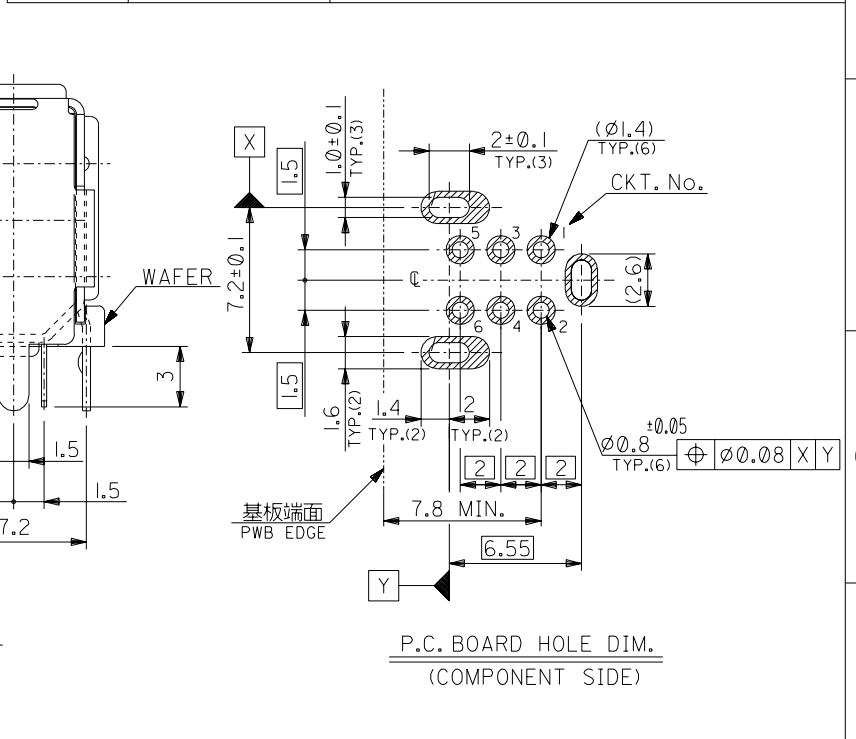


DO NOT SCALE DRAWING

DWG. NO.
SD-53460-020



| 部品名 PARTS NAME | 材質 MATERIAL | 注記 NOTES |
|-------------------|-----------------------------------|--|
| ウェハー WAFER | ガラス入り46ナイロン NYLON46 G.F. | G.F.30%, UL94V-0, 色:黒 G.F.30%, UL94V-0, COLOR:BLACK |
| ピン PIN | 黄銅 t0.25 BRASS t0.25 | 接点部:金メッキ 0.76 MICROMETER MIN. CONTACT AREA:GOLD 0.76 MICROMETER MIN. 半田付け部:錫メッキ 1.0 MICROMETER MIN. SOLDER TAIL AREA:TIN 1.0 MICROMETER MIN. 下地メッキ:ニッケルメッキ 2.0 MICROMETER MIN. UNDER-PLATING:NICKEL 2.0 MICROMETER MIN. |
| シェル SHELL | りん青銅 t0.4 PHOSPHOR BRONZE t0.4 | 錫メッキ:1.0 MICROMETER MIN. TIN:1.0 MICROMETER MIN. 下地メッキ:ニッケルメッキ 1.27 MICROMETER MIN. UNDER-PLATING:NICKEL 1.27 MICROMETER MIN. |



注記
NOTE
1. 本製品は 53460-0611,-0651 の
鉛フリー品である。
THIS PRODUCT IS LEAD FREE OF
53460-0611,-0651.

| | | | | | | | | | | | | | | | |
|----------------------------------|----------------------------------|----------------------------------|----------------------------------|----------------------------------|--|------------------------------------|---|---|--|--|------------|---|----------------------------|------------|------------|
| EC NO. DRWN: CHK: APPR: | EC NO. DRWN: CHK: APPR: | EC NO. DRWN: CHK: APPR: | EC NO. DRWN: CHK: APPR: | EC NO. DRWN: CHK: APPR: | RELEASED EC NO.-J2004-4243 DRWN: Y.WADA '04/05/14 CHK: M.SASAO '04/05/14 APPR: M.SASAO '04/05/14 | MATERIAL 材料 表参照 SEE TABLE | GENERAL TOLERANCES: (UNLESS SPECIFIED) 一般公差 | SCALE 4:1 | MODEL NO. DESIGN UNITS THIRD ANGLE PROJECTION | 53460-***19 | 53460-0619 | 6 | MATERIAL NO. SHT REV | 6 | 6 |
| | | | | | | FINISH 仕上げ 表参照 SEE TABLE | 10 UNDER 未満 ±0.2 | DRAWN BY & DATE Y.WADA '04/05/14 | ◎ | TITLE: 2.0 I/O CONN. SOCKET RIGHT-ANGLE UPRIGHT -LEAD FREE- | 53460-0619 | 6 | mm INCH | mm INCH | mm INCH |
| | | | | | | WIRE RANGE 適用電線範囲 | 10 OVER 30 UNDER 以上 未満 ±0.25 | CHECKED BY & DATE M.SASAO '04/05/14 | □ | MOLEX INCORPORATED | 53460-0619 | 6 | mm INCH | mm INCH | mm INCH |
| | | | | | | INS. RANGE 被覆外径 | 30 OVER 以上 ±0.3 | APPROVED BY & DATE M.SASAO '04/05/14 | ☒ | MOLEX INCORPORATED | 53460-0619 | 6 | mm INCH | mm INCH | mm INCH |
| | | | | | | | ANGLE 角度 ±3° | CAD FILENAME SD-53460-020.S01 | ☒ | MOLEX INCORPORATED | 53460-0619 | 6 | mm INCH | mm INCH | mm INCH |
| | | | | | | | | MATERIAL NO. DRAWING NO. SHEET NO. | ☒ | MOLEX INCORPORATED | 53460-0619 | 6 | mm INCH | mm INCH | mm INCH |
| | | | | | | | | THIS DRAWING CONTAINS INFORMATION THAT IS PROPRIETARY TO MOLEX INCORPORATED AND SHOULD NOT BE USED WITHOUT WRITTEN PERMISSION. | ☒ | MOLEX INCORPORATED | 53460-0619 | 6 | mm INCH | mm INCH | mm INCH |
| | | | | | | | | | ☒ | MOLEX INCORPORATED | 53460-0619 | 6 | mm INCH | mm INCH | mm INCH |