



Chipsmall Limited consists of a professional team with an average of over 10 year of expertise in the distribution of electronic components. Based in Hongkong, we have already established firm and mutual-benefit business relationships with customers from,Europe,America and south Asia,supplying obsolete and hard-to-find components to meet their specific needs.

With the principle of “Quality Parts,Customers Priority,Honest Operation,and Considerate Service”,our business mainly focus on the distribution of electronic components. Line cards we deal with include Microchip,ALPS,ROHM,Xilinx,Pulse,ON,Everlight and Freescale. Main products comprise IC,Modules,Potentiometer,IC Socket,Relay,Connector.Our parts cover such applications as commercial,industrial, and automotives areas.

We are looking forward to setting up business relationship with you and hope to provide you with the best service and solution. Let us make a better world for our industry!



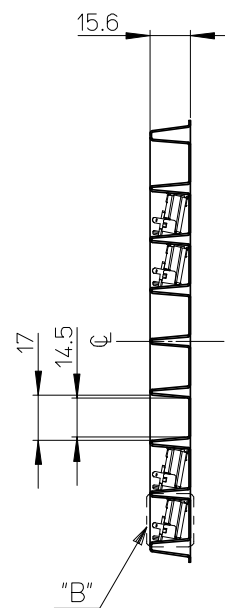
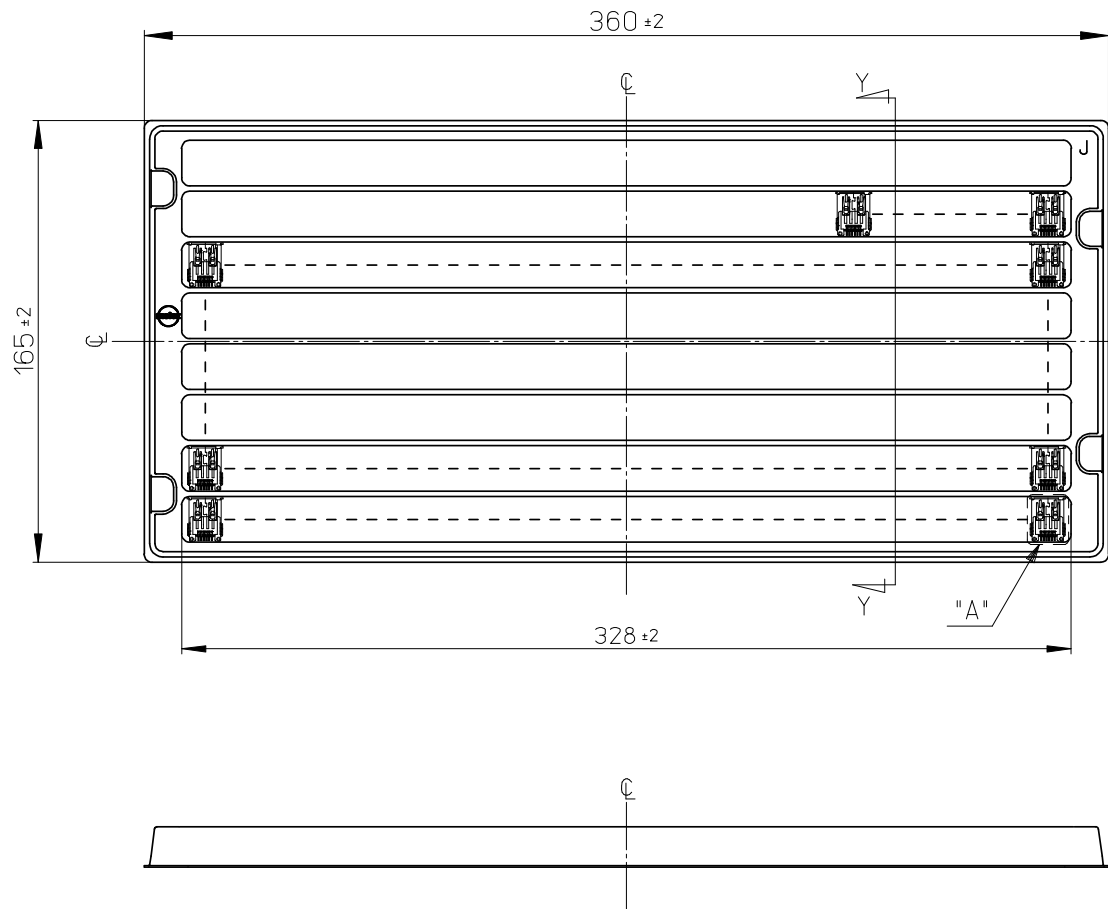
## Contact us

Tel: +86-755-8981 8866 Fax: +86-755-8427 6832

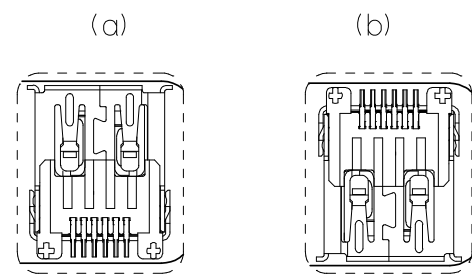
Email & Skype: info@chipsmall.com Web: www.chipsmall.com

Address: A1208, Overseas Decoration Building, #122 Zhenhua RD., Futian, Shenzhen, China

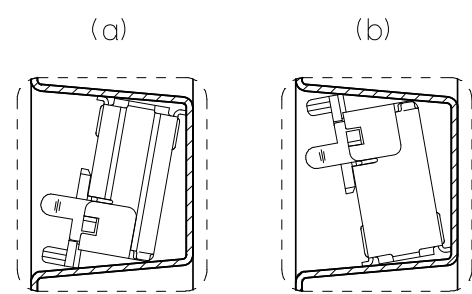




SECT. Y-Y



△ 4 DETAIL A  
(SCALE 2:1)



△ 4 DETAIL B  
(SCALE 2:1)

注記

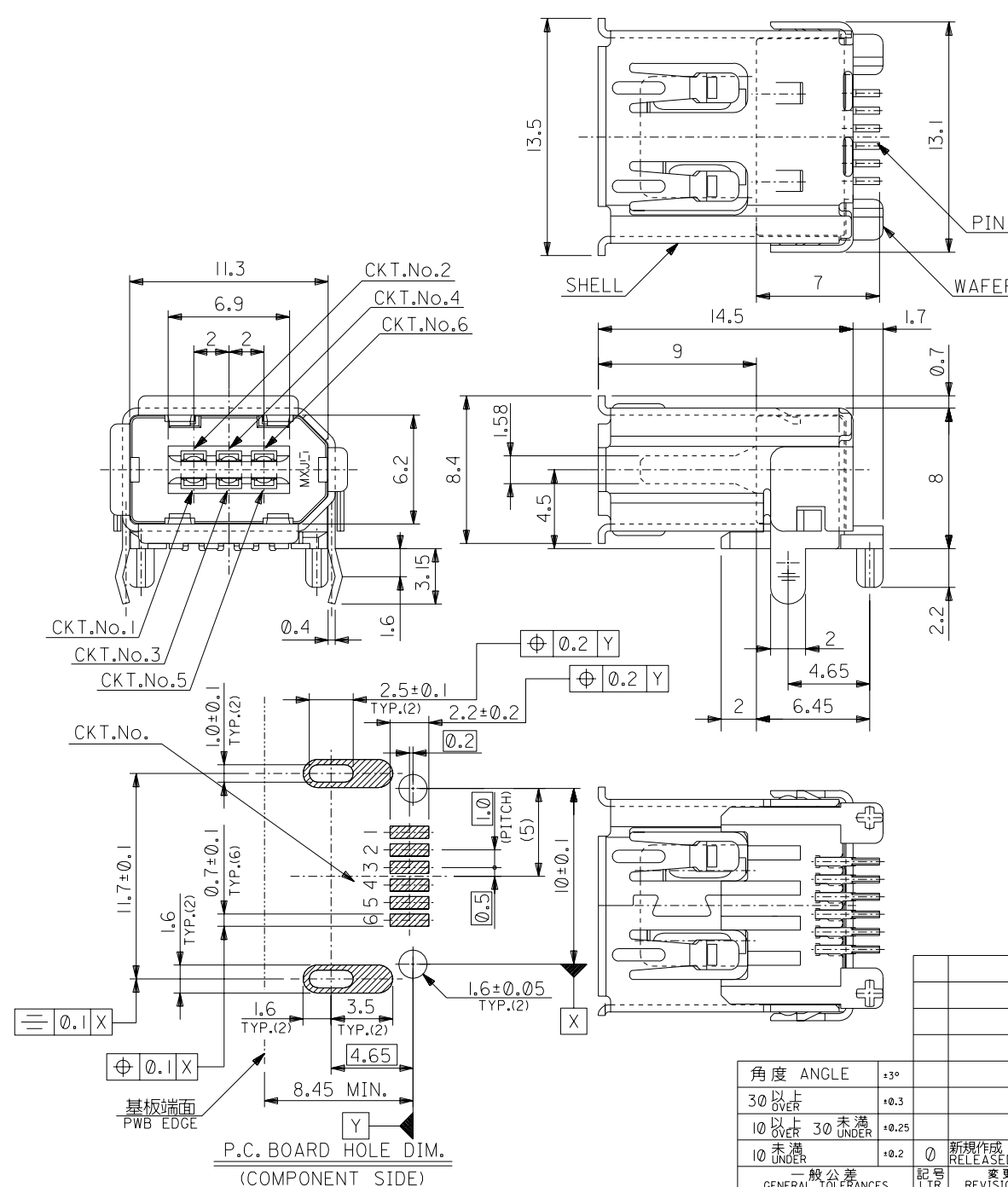
1. 一般公差: ±0.5  
GENERAL TOLERANCES: ±0.5
  2. 各部の反りは2.0MAX.  
WARP 2.0MAX.
  3. 梱包数: 150個  
PACKAGING QUANTITY: 150PCS.
- △ 4 トレイの中の製品の向きは(a)又は(b)とし、かつ同一トレイ中の製品の向きはどちらか一方で統一  
PRODUCT DIRECTION SHOULD BE (a) OR (b).  
ALL PRODUCTS MUST FACED THE SAME DIRECTION IN THE TRAY.

53462-0629  
適用製品番号  
APPLICABLE PART No.

RELEASED EC NO: J2008-3804 DRWN: YOKUZONO 2008/05/01 CH'KD: HARUYAMA 2008/05/01 APPR: NUKITA 2008/05/01	GENERAL TOLERANCES (UNLESS SPECIFIED)		DIMENSION STYLE MM ONLY		SCALE 1:2	DESIGN UNITS METRIC	THIRD ANGLE PROJECTION	
	10 UNDER	± ---	DRAWN BY Y. TOKUZONO		DATE 2008/4/28	TITLE TRAY FOR 53462 (2.0 I/O FLAT SMT WAFER ASS'Y)		
	10 OVER	± ---	CHECKED BY T. HARUYAMA		DATE 2008/4/28			
	30 OVER	± ---	APPROVED BY N. UKITA		DATE 2008/4/28	MOLEX INCORPORATED DOCUMENT NO. SD-53462-001 SHEET NO. 1 OF 1		
ANGULAR ± --- °		MATERIAL NO. 098910030		THIS DRAWING CONTAINS INFORMATION THAT IS PROPRIETARY TO MOLEX INCORPORATED AND SHOULD NOT BE USED WITHOUT WRITTEN PERMISSION				
0	DRAFT WHERE APPLICABLE MUST REMAIN WITHIN DIMENSIONS							

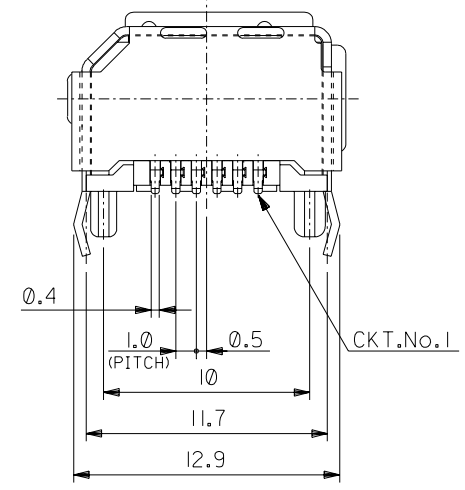
DWG. NO.  
SD-53462-010

ALL DIMENSIONS IN METRIC DO NOT SCALE DRAWING



部品名 PARTS NAME	材質 MATERIAL	注記 NOTES
ウエハー WAFFER	ガラス入り46ナイロン NYLON46 G.F.	G.F.30%, UL94V-0, 色:黒 G.F.30%, UL94V-0, COLOR:BLACK
ピン PIN	黄銅 t0.25 BRASS t0.25	接点部:金メッキ0.76µmMIN. CONTACT AREA:GOLD 0.76 MICROMETER MIN. 半田付け部:錫メッキ1.0µmMIN. SOLDERTAIL AREA:TIN 1.0 MICROMETER MIN. 下地メッキ:ニッケルメッキ2.0µmMIN. UNDER-PLATING:NICKEL 2.0 MICROMETER MIN.
シェル SHELL	りん青銅 t0.4 PHOSPHOR BRONZE t0.4	錫メッキ:1.0µmMIN. TIN:1.0 MICROMETER MIN. 下地メッキ:ニッケルメッキ1.27µmMIN. UNDER-PLATING:NICKEL 1.27 MICROMETER MIN.

本製品は53462-\* \* 21の鉛フリー品である。  
THIS PRODUCT IS LEAD FREE OF 53462-\* \* 21.



角度 ANGLE	公差
30°以上 OVER	+0.3
10°以上 30°未満 UNDER	+0.25
10°未満 UNDER	+0.2

記号 LTR	変更内容 REVISION RECORD	DR. CHK.	日付 DATE
0	新規作成 RELEASED (J2004-4313)	Y.W. M.S.	'04/05/19

材料 MATERIAL	表参照 SEE TABLE
仕上げ FINISH	表参照 SEE TABLE
適用電線範囲 WIRE RANGE	—
被覆外径 INS. RANGE	—
DRAWN BY '04/05/19	CHK'D BY '04/05/19
Y.WADA	M.SASAO
APP'D BY '04/05/19	尺度 SCALE 4:1
M.SASAO	

53462-0629	6
MATERIAL NO.	CIRCUIT
MODEL NO.	53462-* * 29
MOLEX-JAPAN CO.,LTD. 日本モレックス株式会社	
REVISE ONLY ON CAD SYSTEM	
TITLE 名称 2.0 I/O CONN. SOCKET RIGHT-ANGLE FLAT WITH KINK -LEAD FREE-	
DWG. NO.	REV
SD-53462-010	0

THIS DRAWING CONTAINS INFORMATION THAT IS PROPRIETARY TO MOLEX(JAPAN) AND SHOULD NOT BE USED WITHOUT WRITTEN PERMISSION  
本図面は日本モレックス(株)の所有する情報を含むもので 当社の許可なく複製を禁止する。 EN-01C(032)MXJ-32