



Chipsmall Limited consists of a professional team with an average of over 10 year of expertise in the distribution of electronic components. Based in Hongkong, we have already established firm and mutual-benefit business relationships with customers from,Europe,America and south Asia,supplying obsolete and hard-to-find components to meet their specific needs.

With the principle of “Quality Parts,Customers Priority,Honest Operation,and Considerate Service”,our business mainly focus on the distribution of electronic components. Line cards we deal with include Microchip,ALPS,ROHM,Xilinx,Pulse,ON,Everlight and Freescale. Main products comprise IC,Modules,Potentiometer,IC Socket,Relay,Connector.Our parts cover such applications as commercial,industrial, and automotives areas.

We are looking forward to setting up business relationship with you and hope to provide you with the best service and solution. Let us make a better world for our industry!



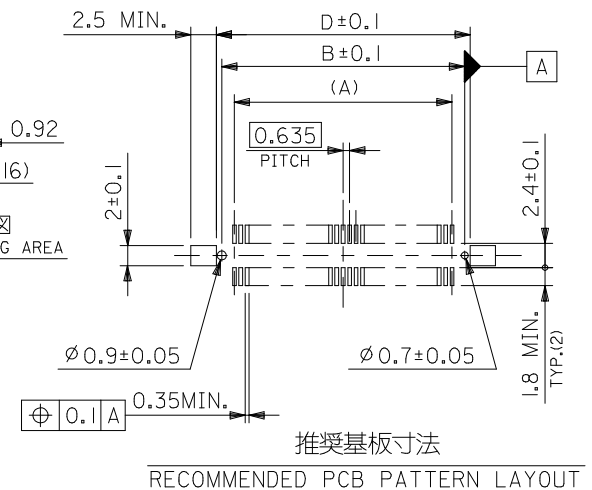
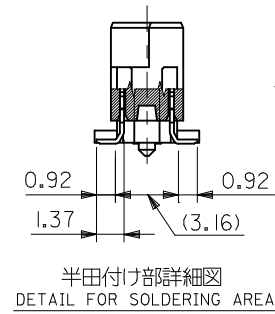
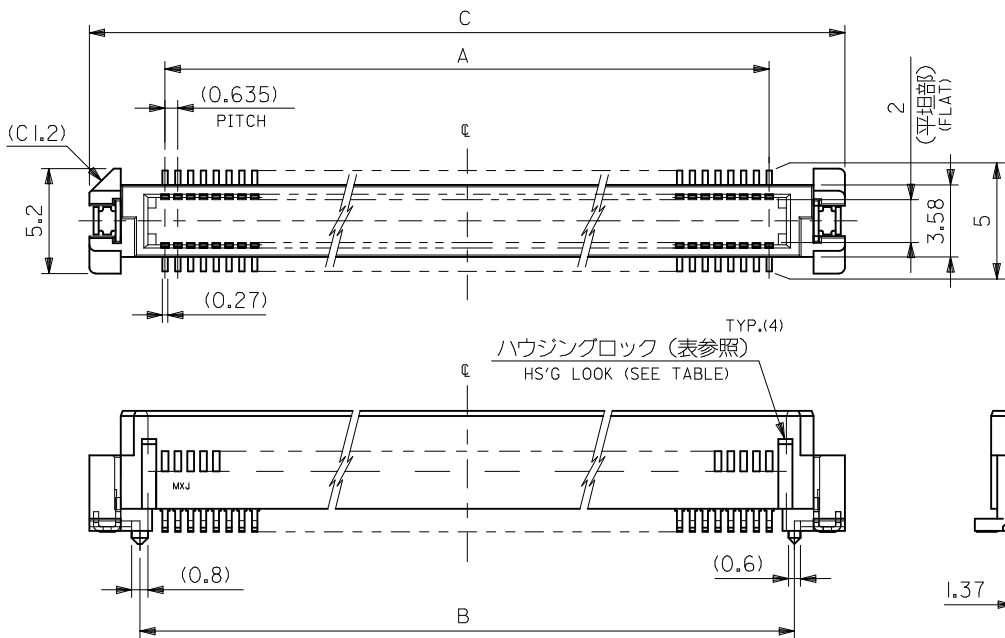
## Contact us

Tel: +86-755-8981 8866 Fax: +86-755-8427 6832

Email & Skype: info@chipsmall.com Web: www.chipsmall.com

Address: A1208, Overseas Decoration Building, #122 Zhenhua RD., Futian, Shenzhen, China





注) NOTES

1. 材質 MATERIAL  
 ハウジング : ガラス入りPPS、茶色、UL94V-0  
 HOUSING: G.F.PPS, BROWN, UL94V-0  
 ターミナル : 銅合金 (t=0.2)  
 TERMINAL: COPPER ALLOY

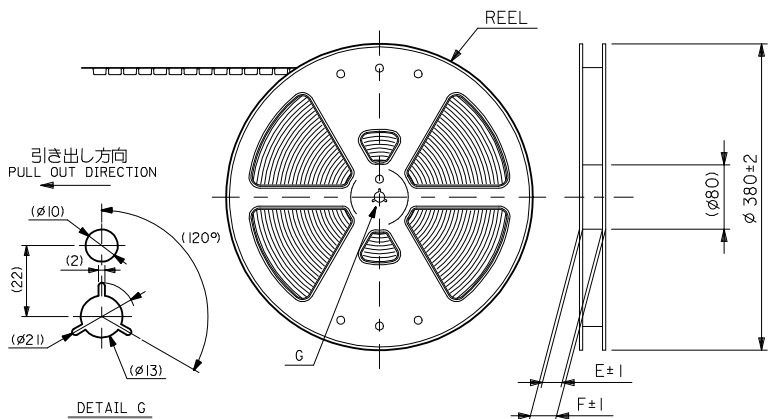
2. メッキ仕様 PLATING  
 接点部 : 金メッキ 0.25 μm MIN.  
 CONTACT AREA: GOLD 0.25 μm MIN.  
 半田付け部 : 錫メッキ 1.0 μm MIN.  
 SOLDER TAIL AREA: TIN 1.0 μm MIN.  
 下地メッキ : ニッケルメッキ 1.5 μm MIN.  
 UNDER-PLATING: NICKEL 1.5 μm MIN.

3. テールのバラツキ寸法 TAIL COPLANARITY  
 テール平坦度は 0.1 MAX. とする。  
 TAIL COPLANARITY TO BE 0.1 MAX.  
 4. エンボス対応済みの極数については、SD-53481-002を参照下さい。  
 FOR THE EMBOSSED PACKAGE PRODUCTS, SEE SD-53481-002.  
 5. 本製品は53481-\*\*\*7の鉛フリー品である。  
 THIS PRODUCT IS LEAD FREE OF 53481-\*\*\*7.

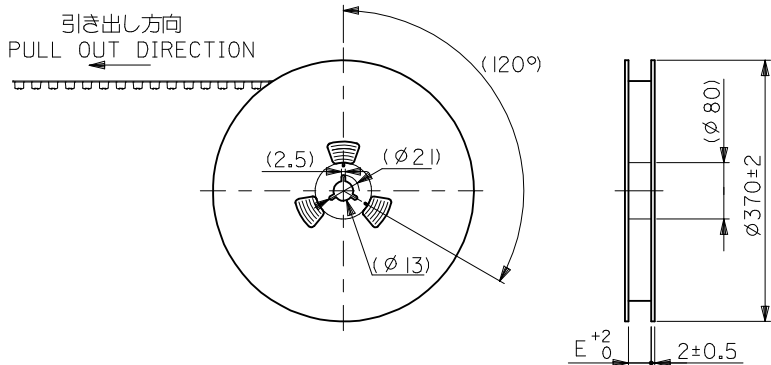
7 mm	52760-***0
基板間寸法 STACKING HEIGHT	嵌合相手 TO BE MATED WITH

無し NO	34.72	38.62	33.62	31.15	53481-1068	53481-1067	100
有り YES	22.02	25.92	20.92	18.415	53481-0668	53481-0667	60
	18.85	22.75	17.75	15.24	53481-0568	53481-0567	50
	15.67	19.57	14.57	12.065	53481-0468	53481-0467	40

REVISED EC NO: J2009-0643 DRWN: MAKURAA 2008/11/26 CHKD: T. HARUYAMA 2008/11/26 APPR: NUKITA 2009/01/08	DESCRIPTION	GENERAL TOLERANCES (UNLESS SPECIFIED)		DIMENSION STYLE MM ONLY		SCALE 4:1		DESIGN UNITS METRIC		THIRD ANGLE PROJECTION	
		10 UNDER	±0.2	DRAWN BY H. KAWABATA		DATE '04/3/8		TITLE 0.635 PITCH B-T0-B S/T PLUG HSG ASSY -LEAD FREE-			
		10 OVER 30 UNDER	±0.25	CHECKED BY K. TOJO		DATE '04/3/8					
		30 OVER	±0.3	APPROVED BY M. SASAO		DATE '04/3/8		DOCUMENT NO. SD-53481-001		SHEET NO. 1 OF 1	
A	REV	ANGULAR ±3 ° DRAFT WHERE APPLICABLE MUST REMAIN WITHIN DIMENSIONS		MATERIAL NO. SEE TABLE		SIZE A3		THIS DRAWING CONTAINS INFORMATION THAT IS PROPRIETARY TO MOLEX INCORPORATED AND SHOULD NOT BE USED WITHOUT WRITTEN PERMISSION			



キャリアテープ幅：24mm～56mm  
CARRIER TAPE WIDTH : 24mm-56mm



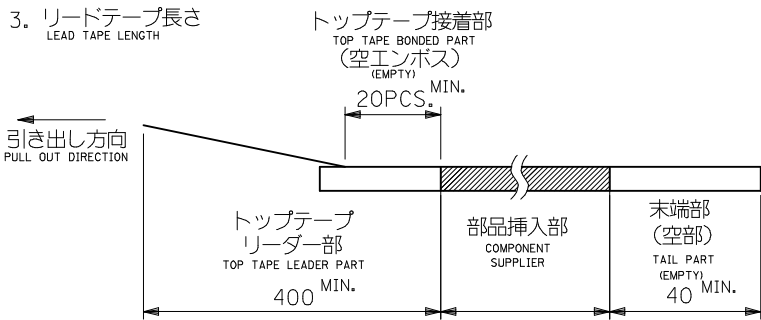
キャリアテープ幅：72mm～104mm  
CARRIER TAPE WIDTH : 72mm-104mm

注) NOTES

1. 製品番号 53481-\*\*\*67 の詳細寸法については、SD-53481-001 を参照下さい。  
IN THE PACKAGE , PART NO.53481-\*\*\*67 DETAILED DIMENSIONS , SEE SD-53481-001.

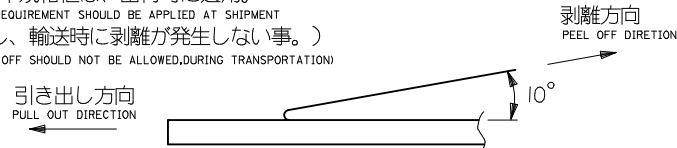
2. 梱包数量 : NUMBER OF CONNECTORS :

CIRCUITS	NUMBER
OTHERS	1000 PCS/REEL
240	800 PCS/REEL



4. トップテープの剥離強度 (剥離方向は下図参照)  
PEELING OFF FORCE OF TOP TAPE (PEELING DIRECTION AS SHOWN IN FOLLOWING FIG.)  
0.1~1. 3N {10~130gf} : キャリアテープ幅 24mm~104mm  
0.1~1.3N {10~130gf} : キャリアテープ幅 72mm~104mm

尚、本規格値は、出荷時に適用。  
THIS REQUIREMENT SHOULD BE APPLIED AT SHIPMENT  
(但し、輸送時に剥離が発生しない事。)  
(PEEL OFF SHOULD NOT BE ALLOWED,DURING TRANSPORTATION)

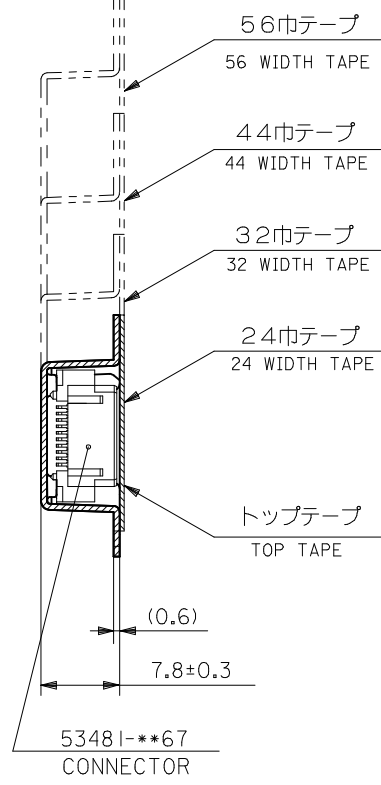
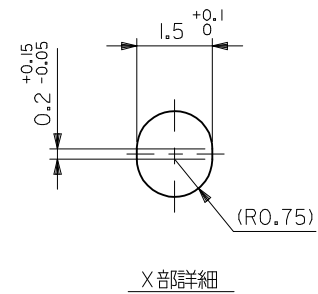
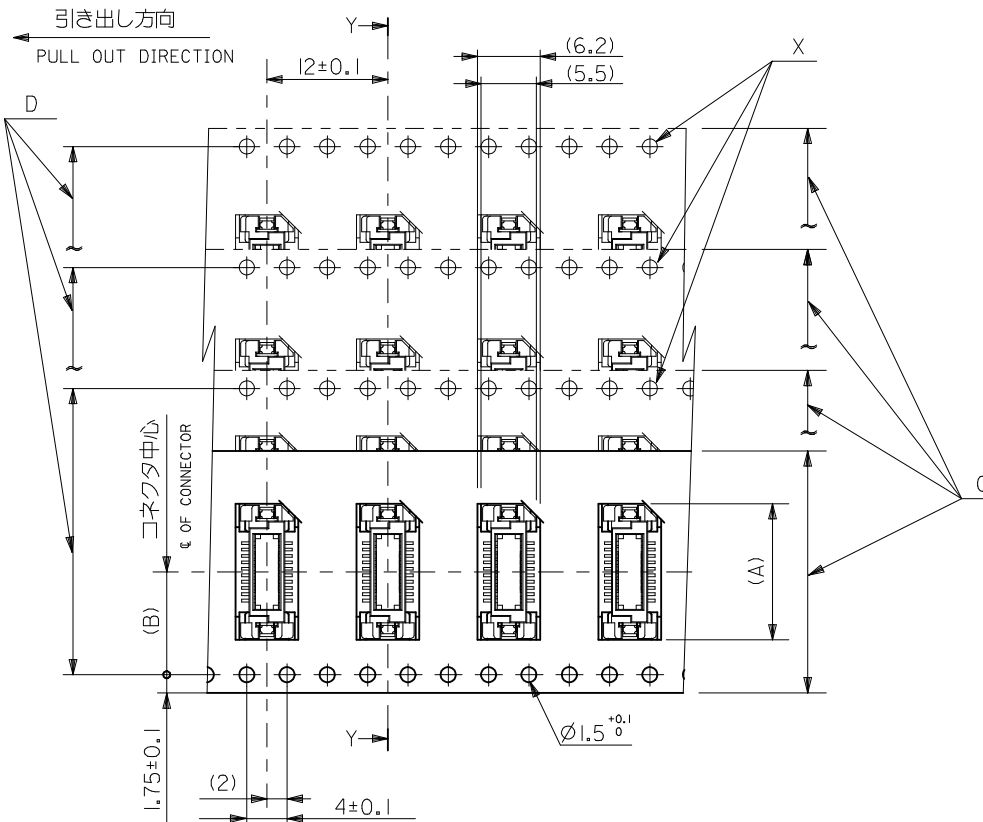


5. 材料 MATERIAL  
キャリアテープ : ポリプロピレン (PP)  
CARRIER TAPE : POLYPROPYLENE (PP)  
トップテープ : PET, PE, PEF  
TOP TAPE : PET, PE, PEF  
リール : キャリアテープ幅 24mm~56mm : ポリスチレン  
CARRIER TAPE WIDTH 24mm-56mm : POLYSTYRENE  
キャリアテープ幅 72mm~104mm : 紙  
CARRIER TAPE WIDTH 72mm-104mm : CARD BOARD

6. 本製品は53481-\*\*\*8の鉛フリー品である。  
THIS PRODUCT IS LEAD FREE OF 53481-\*\*\*8.

53481-\*\*\*68  
MODEL NO.

REVISED EC NO: J2009-0643 DRWN:NAKAMURA 2008/11/26 CHKD:T. HARUYAMA 2008/11/26 APPR:NUKITA 2009/01/08	GENERAL TOLERANCES (UNLESS SPECIFIED)		DIMENSION STYLE MM ONLY	SCALE ---	DESIGN UNITS METRIC	THIRD ANGLE PROJECTION
	10 UNDER	± ---	DRAWN BY H. KAWABATA	DATE '04/03/08	TITLE 53481-***87 TAPING PACKAGE -LEAD FREE-	
	10 OVER 30 UNDER	± ---	CHECKED BY K. TOJO	DATE '04/03/08	MOLEX INCORPORATED	
	30 OVER	± ---	APPROVED BY M. SASAO	DATE '04/03/08	DOCUMENT NO. SD-53481-002	SHEET NO. 1 OF 2
DESCRIPTION ANGULAR ± --- ° DRAFT WHERE APPLICABLE MUST REMAIN WITHIN DIMENSIONS	SIZE A3		THIS DRAWING CONTAINS INFORMATION THAT IS PROPRIETARY TO MOLEX INCORPORATED AND SHOULD NOT BE USED WITHOUT WRITTEN PERMISSION			



断面 Y-Y  
SECTION Y-Y

累積ピッチ : 40±0.2  
ACCUMULATIVE PITCH : 40±0.2

61.4	57.4	52.4	56 <sup>+0.3</sup>	26.2	38.9	53481-1068	100
49.4	45.4	40.4	44 <sup>+0.3</sup>	20.2	26.2	53481-0668	60
37.4	33.4	28.4	32 <sup>+0.3</sup>	14.2	23.1	53481-0568	50
F	E	D	C キャリアテープ幅 CARRIER TAPE WIDTH	(B)	(A)	MATERIAL NO.	極数 NO. OF CTS.
						MODEL NO.	53481-**68

REVISED EC NO: J2009-0643 DRWN: MAKURAA 2008/11/26 CHKD: T. HARUYAMA 2008/11/26 APPR: NUKITA 2009/01/08	GENERAL TOLERANCES (UNLESS SPECIFIED)		DIMENSION STYLE MM ONLY		SCALE ---	DESIGN UNITS METRIC		THIRD ANGLE PROJECTION	
	10 UNDER	± ---	DRAWN BY H. KAWABATA	DATE '04/03/08	TITLE 53481-**87 TAPING PACKAGE -LEAD FREE-				
	10 OVER 30 UNDER	± ---	CHECKED BY K. TOJO	DATE '04/03/08	MOLEX INCORPORATED				
	30 OVER	± ---	APPROVED BY M. SASAO	DATE '04/03/08	DOCUMENT NO. SD-53481-002		SHEET NO. 2 OF 2		
ANGULAR ± --- °		DRAFT WHERE APPLICABLE MUST REMAIN WITHIN DIMENSIONS		SEE TABLE		THIS DRAWING CONTAINS INFORMATION THAT IS PROPRIETARY TO MOLEX INCORPORATED AND SHOULD NOT BE USED WITHOUT WRITTEN PERMISSION			