



Chipsmall Limited consists of a professional team with an average of over 10 year of expertise in the distribution of electronic components. Based in Hongkong, we have already established firm and mutual-benefit business relationships with customers from,Europe,America and south Asia,supplying obsolete and hard-to-find components to meet their specific needs.

With the principle of “Quality Parts,Customers Priority,Honest Operation,and Considerate Service”,our business mainly focus on the distribution of electronic components. Line cards we deal with include Microchip,ALPS,ROHM,Xilinx,Pulse,ON,Everlight and Freescale. Main products comprise IC,Modules,Potentiometer,IC Socket,Relay,Connector.Our parts cover such applications as commercial,industrial, and automotives areas.

We are looking forward to setting up business relationship with you and hope to provide you with the best service and solution. Let us make a better world for our industry!



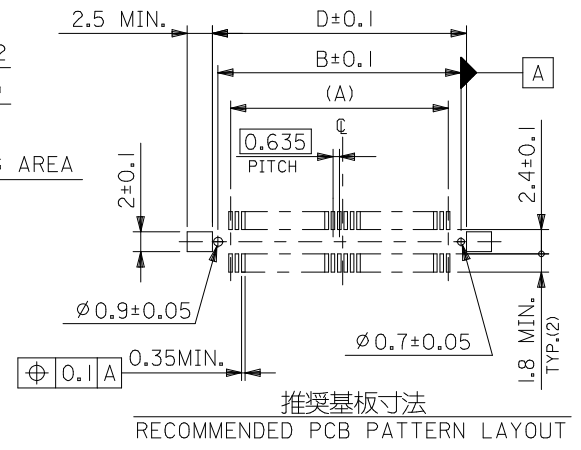
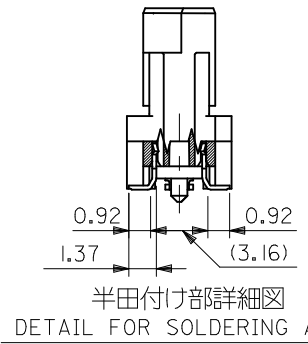
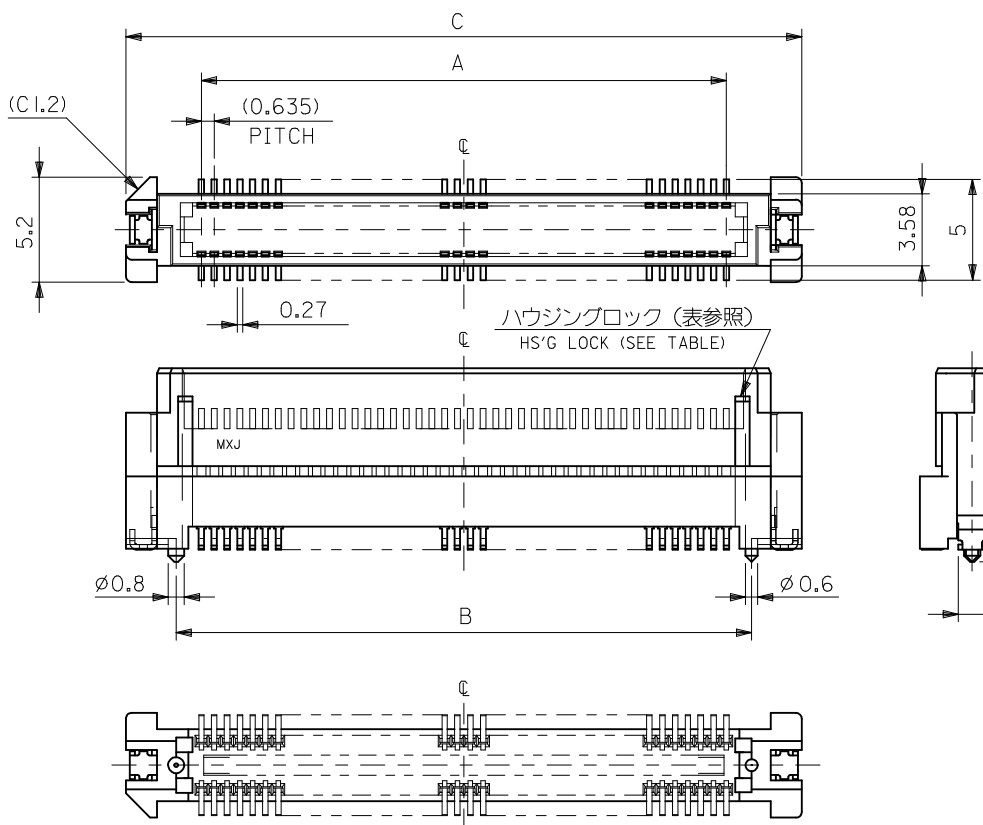
## Contact us

Tel: +86-755-8981 8866 Fax: +86-755-8427 6832

Email & Skype: info@chipsmall.com Web: www.chipsmall.com

Address: A1208, Overseas Decoration Building, #122 Zhenhua RD., Futian, Shenzhen, China





注) NOTES

- 材質 MATERIAL  
ハウジング: ガラス入りPPS、茶色、UL94V-0  
HOUSING: GLASS FILLED PPS, BROWN, UL94V-0  
ターミナル: 黄銅 (  $\pm 0.2$  )  
TERMINAL: BRASS
- メッキ仕様 PLATING  
接点部 : 金メッキ 0.25  $\mu\text{m}$ 以上  
CONTACT AREA: GOLD 0.25 MICROMETER MINIMUM  
半田付け部: 錫メッキ 1.0  $\mu\text{m}$ 以上  
SOLDER TAIL AREA: TIN 1.0 MICROMETER MINIMUM  
下地メッキ: ニッケルメッキ 1.5  $\mu\text{m}$ 以上  
UNDER-PLATING: NICKEL 1.5 MICROMETER MINIMUM
- テールのバラツキ寸法 TAIL COPLANARITY  
テールの平坦度は、0.1以下とする。  
TAIL COPLANARITY TO BE 0.1 MAXIMUM.
- 本製品は 53553-\*\*\*7 の鉛フリー一品である。  
THIS PRODUCT IS LEAD FREE OF 53553-\*\*\*7.

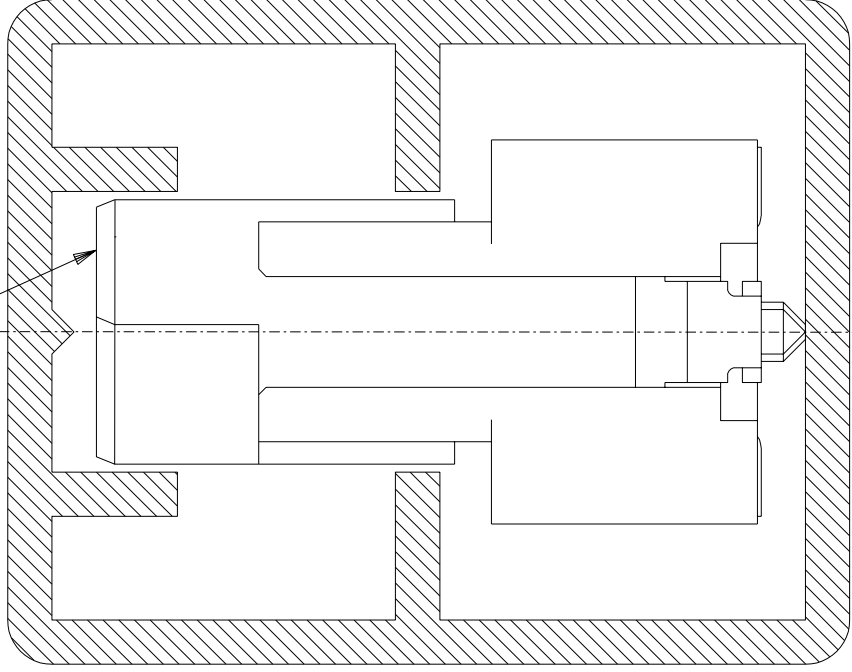
10 mm	52760 シリーズ
基板間寸法 STACKING HEIGHT	嵌合相手 TO BE MATED WITH

無し NO	66.47	70.37	65.37	62.865	—	53553-2079	53553-2077	200
	60.12	64.02	59.02	56.515	—	53553-1879	53553-1877	180
	53.77	57.67	52.67	50.165	—	53553-1679	53553-1677	160
	47.42	51.32	46.32	43.815	—	53553-1479	53553-1477	140
	34.72	38.62	33.62	31.115	53553-1078	53553-1079	53553-1077	100
28.37	32.27	27.27	24.765	53553-0878	53553-0879	53553-0877	80	
有り YES	22.02	25.92	20.92	18.415	53553-0678	53553-0679	53553-0677	60
	15.67	19.57	14.57	12.065	53553-0478	53553-0479	53553-0477	40
ハウジング HSG LOCK	D	C	B	A	エンボス梱包 EMBOSSED PACKAGING	スティック梱包 STICK PACKAGING	製品番号 MATERIAL NO.	極数 CKT. NO.
							MODEL NO.   53553-***77	

REVISED EC NO: J2009-0566 DRWN: MAKURAA 2008/12/16 CHKD: T. HARIYAMA 2008/12/16 APPR: NUKITA 2009/01/16	DESCRIPTION	GENERAL TOLERANCES (UNLESS SPECIFIED)		DIMENSION STYLE MM ONLY		SCALE ---	DESIGN UNITS METRIC	THIRD ANGLE PROJECTION	
		10 UNDER	$\pm 0.2$	DRAWN BY T. UENO	DATE '04/02/27	TITLE 0.635 PITCH B-T0-B S/T PLUG HSG ASSY -LEAD FREE- MOLEX MOLEX INCORPORATED DOCUMENT NO. SD-53553-006 SHEET NO. 1 OF 1			
		10 OVER 30 UNDER	$\pm 0.25$	CHECKED BY M. SASAO	DATE '04/02/27				
		30 OVER	$\pm 0.3$	APPROVED BY M. SASAO	DATE '04/02/27				
A	REV	ANGULAR $\pm 3^\circ$		MATERIAL NO. SEE TABLE		THIS DRAWING CONTAINS INFORMATION THAT IS PROPRIETARY TO MOLEX INCORPORATED AND SHOULD NOT BE USED WITHOUT WRITTEN PERMISSION			
		DRAFT WHERE APPLICABLE MUST REMAIN WITHIN DIMENSIONS							

DWG. NO. SD-53553-008

53553-\*\*-77



注) NOTES.

1. スティック両端はキャップ止め。  
BOTH ENDS WITH CAPS.
2. 全長: 600±2  
TOTAL LENGTH
3. 肉厚: 0.6±0.2  
THICKNESS
4. 本製品は53553-\*\*-77の鉛フリー品である。  
THIS PRODUCT IS LEAD FREE OF 53553-\*\*-77.

角度	ANGLE	±30°
30以上	OVER	±0.3
10以上	30 UNDER	±0.25
10以下	UNDER	±0.2
一般公差 GENERAL TOLERANCES		

MODEL NO. 53553-**-77	
材料 MATERIAL	スティック: ポリ塩化ビニル STICK: P.V.C.
仕上げ FINISH	—#—
適用電線範囲 WIRE RANGE	—#—
被覆外径 INS. RANGE	—#—
DRAWN BY: '04/02/27	CHK'D BY: '04/02/27
T. UENO	M. SASAO
APP'D BY: '04/02/27	SCALE
M. SASAO	—#—

8	53553-2079	200
8	53553-1879	180
9	53553-1679	160
11	53553-1479	140
14	53553-1079	100
17	53553-0879	80
21	53553-0679	60
28	53553-0479	40

梱包数 QUANTITY	製品番号 MATERIAL NO.	極数 NO. OF CKT.
-----------------	----------------------	-------------------

MOLEX-JAPAN CO.,LTD. 日本モレックス株式会社	
REVISE ONLY ON CAD SYSTEM	
TITLE 名称 53553-**-77 STICK PACKAGING -LEAD FREE-	

DWG. NO.	REV
SD-53553-008	0

DIMENSIONS IN METRIC DO NOT SCALE DRAWING