



Chipsmall Limited consists of a professional team with an average of over 10 year of expertise in the distribution of electronic components. Based in Hongkong, we have already established firm and mutual-benefit business relationships with customers from,Europe,America and south Asia,supplying obsolete and hard-to-find components to meet their specific needs.

With the principle of “Quality Parts,Customers Priority,Honest Operation,and Considerate Service”,our business mainly focus on the distribution of electronic components. Line cards we deal with include Microchip,ALPS,ROHM,Xilinx,Pulse,ON,Everlight and Freescale. Main products comprise IC,Modules,Potentiometer,IC Socket,Relay,Connector.Our parts cover such applications as commercial,industrial, and automotives areas.

We are looking forward to setting up business relationship with you and hope to provide you with the best service and solution. Let us make a better world for our industry!



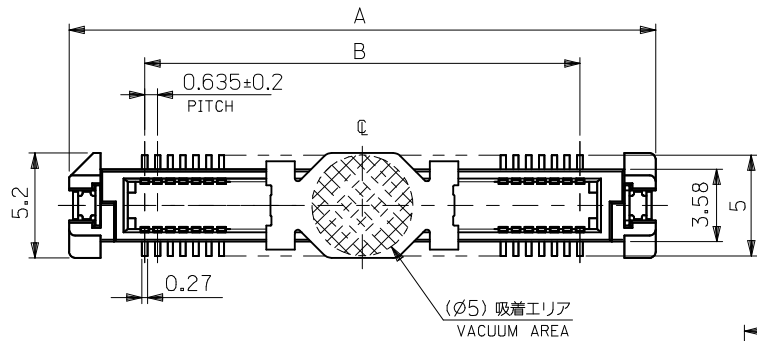
Contact us

Tel: +86-755-8981 8866 Fax: +86-755-8427 6832

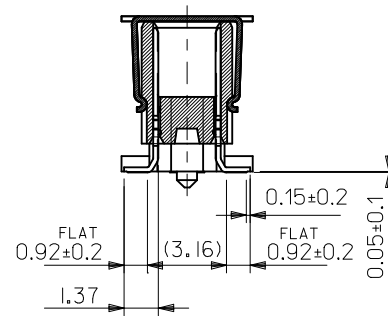
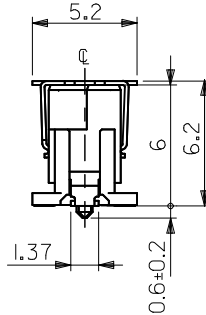
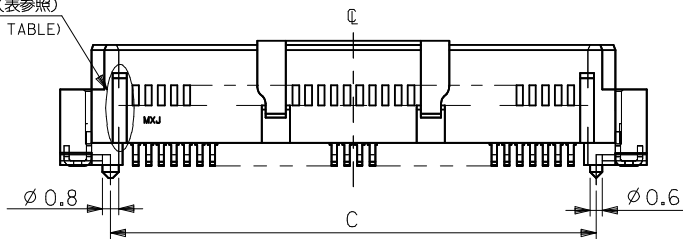
Email & Skype: info@chipsmall.com Web: www.chipsmall.com

Address: A1208, Overseas Decoration Building, #122 Zhenhua RD., Futian, Shenzhen, China





ハウジングロック (表参照)
HS'G LOCK (SEE TABLE)



半田付け部詳細図
DETAIL FOR SOLDERING AREA

注)
NOTES

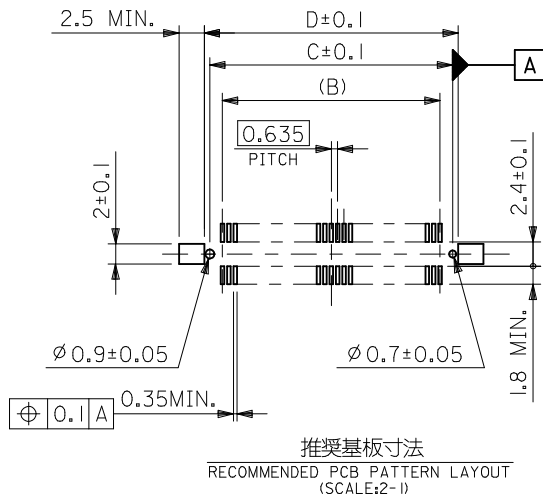
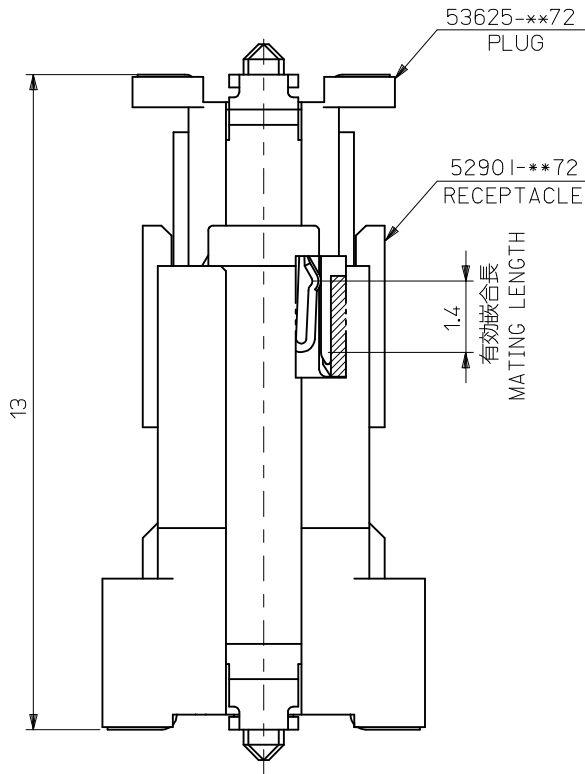
- 材質
MATERIAL
ハウジング: ガラス入りPPS、茶色、UL94V-0
HOUSING: G.F, PPS, BROWN, UL94V-0
ターミナル: 銅合金 (t=0.2)
TERMINAL: COPPER ALLOY
補強金具: 銅合金 (t=0.25)
FITTING NAIL: COPPER ALLOY
吸着カバー: ステンレス (t=0.2)
VACUUM COVER: STAINLESS STEEL
- メッキ仕様
PLATING
ターミナル: 接点部 : 金メッキ 0.25 μmMIN.
TERMINAL: CONTACT AREA: GOLD 0.25 MICROMETER MIN.
半田付け部: 錫メッキ 1.0 μmMIN.
SOLDER TAIL AREA: TIN 1.0 MICROMETER MIN.
下地メッキ: ニッケルメッキ 1.5 μmMIN.
UNDER-PLATING: NICKEL 1.5 MICROMETER MIN.
補強金具 錫メッキ 1.0 μmMIN.
FITTING NAIL: TIN 1.0 MICROMETER MIN.
下地メッキ: ニッケルメッキ 1.0 μmMIN.
UNDER-PLATING: NICKEL 1.0 MICROMETER MIN.
- テールのバラツキ寸法
TAIL COPLANARITY
テール平坦度は、0.1 MAX.とする。
TAILS COPLANARITY TO BE 0.1MAX.
- エンボス対応済みの極数については、SD-53625-003を参照下さい。
FOR THE EMBOSSED PACKAGE PRODUCTS, SEE SD-53625-003.
- 本製品は53625-***2の鉛フリー品である。
THIS PRODUCT IS LEAD FREE OF 53625-***2.

WITHOUT HSG LOCK	79.17	78.07	75.565	83.07	53625-2474	240
WITHOUT HSG LOCK	53.77	52.67	50.165	57.67	53625-1674	160
WITHOUT HSG LOCK	47.42	46.32	43.815	51.32	53625-1474	140
WITHOUT HSG LOCK	41.07	39.97	37.465	44.97	53625-1274	120
WITHOUT HSG LOCK	31.55	30.45	27.94	35.45	53625-0974	90
WITHOUT HSG LOCK	28.37	27.27	24.765	32.27	53625-0874	80
WITH HSG LOCK	18.85	17.75	15.24	22.75	53625-0574	50
WITH HSG LOCK	15.67	14.57	12.065	19.57	53625-0474	40
WITH HSG LOCK	12.5	11.4	8.89	16.4	53625-0374	30

EMBOSSED TAPE PACKAGE 極数
ORDER NO. CIRCUITS

CONNECTOR SERIES No. : 53625-***72

REVISED EC NO: J2015-1093 DRWN: YSATO06 2015/02/23 CHKD: RTAKEUCHI 2015/02/25 APPR: KMORIKAWA 2015/02/25	GENERAL TOLERANCES (UNLESS SPECIFIED)		DIMENSION STYLE MM ONLY		SCALE ---	DESIGN UNITS METRIC	THIRD ANGLE PROJECTION
	0.25 UNDER	UNDER	±0.03	DRAWN BY YWADA	DATE 2004/05/14	TITLE 0.635 B/B CONN.PLUG HS'G COVER ASS'Y	
	0.25 OVER	0.5 UNDER	±0.05	CHECKED BY MSASAO	DATE 2004/05/14	MATERIAL NO. DOCUMENT NO.	
	0.5 OVER	1.0 UNDER	±0.1	APPROVED BY MSASAO	DATE 2004/05/14	SHEET NO. 1 OF 2	
	1.0 OVER	10 UNDER	±0.2	SEE CHART		SD-53625-002	
	30 OVER	UNDER	±0.25	DRAFT WHERE APPLICABLE MUST REMAIN WITHIN DIMENSIONS		THIS DRAWING CONTAINS INFORMATION THAT IS PROPRIETARY TO MOLEX INCORPORATED AND SHOULD NOT BE USED WITHOUT WRITTEN PERMISSION	
	ANGULAR	±3 °					



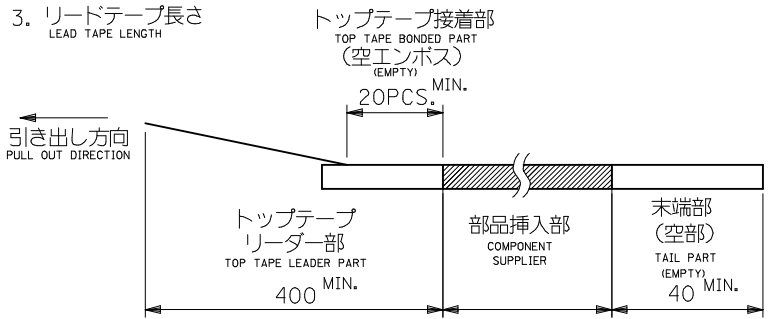
REVISED EC NO: J2015-1093 DRWN: YSATO06 2015/02/23 CHKD: RTAKEUCHI 2015/02/25 APPR: KMORIKAWA 2015/02/25	GENERAL TOLERANCES (UNLESS SPECIFIED)			DIMENSION STYLE MM ONLY		SCALE ---	DESIGN UNITS METRIC	THIRD ANGLE PROJECTION	
	0.25 UNDER	UNDER	±0.03	DRAWN BY	DATE	TITLE			
	0.25 OVER	0.5 UNDER	±0.05	YWADA	2004/05/14	0.635 B/B CONN.PLUG HS'G COVER ASS'Y			
	0.5 OVER	1.0 UNDER	±0.1	CHECKED BY	DATE				
	1.0 OVER	10 UNDER	±0.2	MSASAO	2004/05/14				
10 OVER	30 UNDER	±0.25	APPROVED BY	DATE					
30 OVER		±0.3	MSASAO	2004/05/14					
ANGULAR	±3 °		MATERIAL NO.		DOCUMENT NO.		SHEET NO.		
DRAFT WHERE APPLICABLE MUST REMAIN WITHIN DIMENSIONS			SEE SHEET 1		SD-53625-002		2 OF 2		
			SIZE A3	THIS DRAWING CONTAINS INFORMATION THAT IS PROPRIETARY TO MOLEX INCORPORATED AND SHOULD NOT BE USED WITHOUT WRITTEN PERMISSION					

注)
NOTES

1. 製品番号 53625-***72 の詳細寸法については、SD-53625-002 を参照下さい。
IN THE PACKAGE, PART NO. 53625-***72 DETAILED DIMENSIONS, SEE SD-53625-002

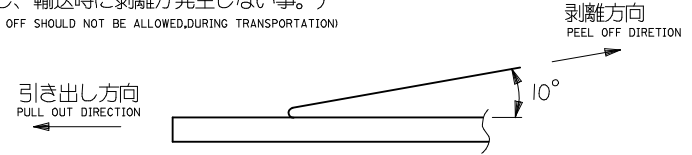
2. 梱包数量 : NUMBER OF CONNECTORS :

CIRCUITS	NUMBER
OTHERS	1000 PCS/REEL
240	800 PCS/REEL



4. トップテープの剥離強度 (剥離方向は下図参照)
PEELING OFF FORCE OF TOP TAPE (PEELING DIRECTION AS SHOWN IN FOLLOWING FIG.)
0.1~1.3N {10~130gf} : キャリアテープ幅 2.4mm~1.04mm
CARRIER TAPE WIDTH 24mm~104mm

尚、本規格値は、出荷時に適用。
THIS REQUIREMENT SHOULD BE APPLIED AT SHIPMENT
(但し、輸送時に剥離が発生しない事。)
(PEEL OFF SHOULD NOT BE ALLOWED, DURING TRANSPORTATION)



5. 材料 MATERIAL

キャリアテープ : ポリプロピレン (PP)
CARRIER TAPE : POLYPROPYLENE (PP)

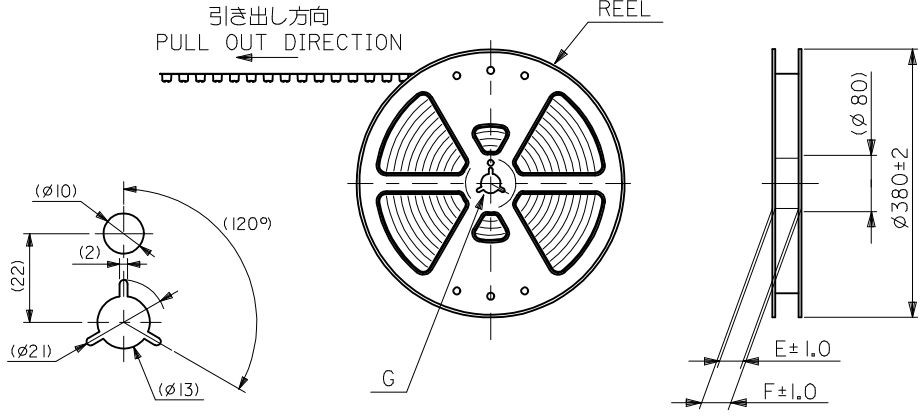
トップテープ : PET, PE, PEF
TOP TAPE : PET, PE, PEF

リール REEL : キャリアテープ幅 2.4mm~5.6mm : ポリスチレン
CARRIER TAPE WIDTH 24mm~56mm : POLYSTYRENE

キャリアテープ幅 7.2mm~1.04mm : 紙
CARRIER TAPE WIDTH 72mm~104mm : CARD BOARD

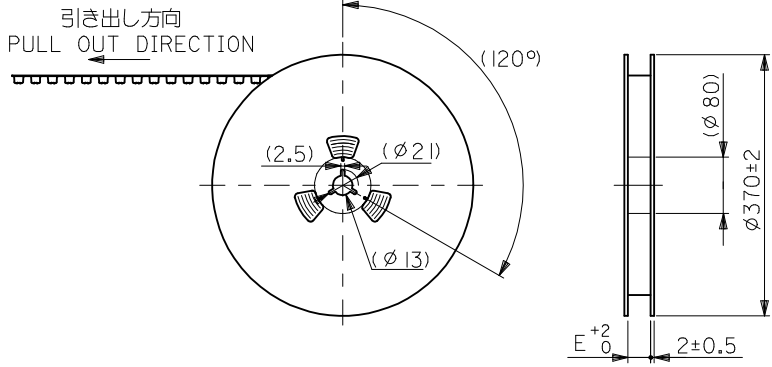
6. 本製品は53625-***4の鉛フリー品である。
THIS PRODUCT IS LEAD FREE OF 53625-***4.

F



E

D

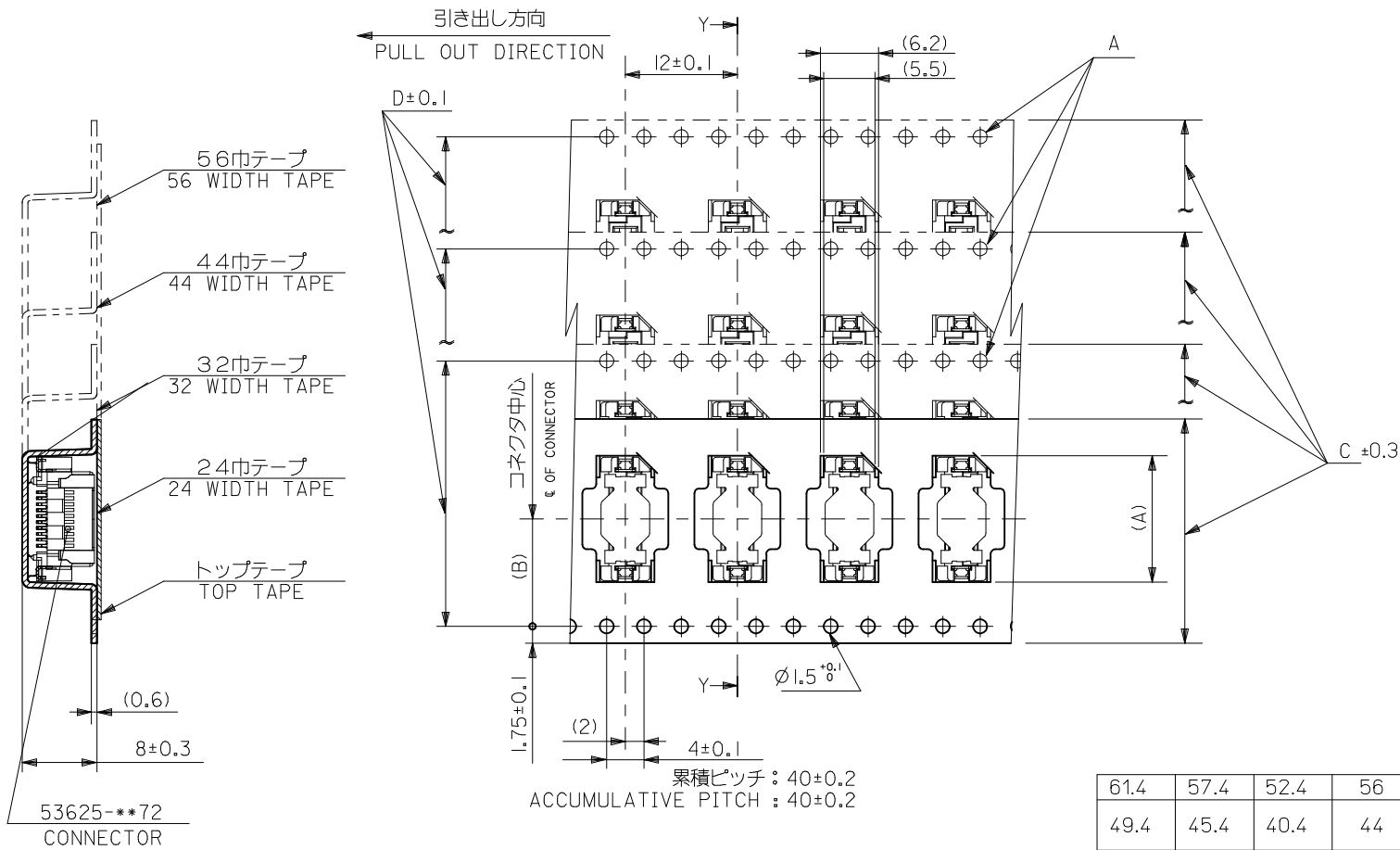


C

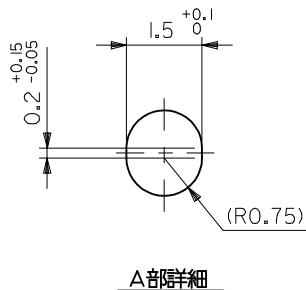
B

A

REVISED EC NO. J2015-1093 DRWN:YSATO06 2015/02/23 CHKD:RTAKEUCHI 2015/02/25 APPR:KMORIKAWA 2015/02/25	GENERAL TOLERANCES (UNLESS SPECIFIED)		DIMENSION STYLE MM ONLY		SCALE ---	DESIGN UNITS METRIC	MODEL No. 53625-***74	
	0.25 UNDER	UNDER	±0.03	DRAWN BY YWADA	DATE 2004/05/14	THIRD ANGLE PROJECTION		
	0.25 OVER	0.5 UNDER	±0.05	CHECKED BY MSASAO	DATE 2004/05/14	53625-***72 TAPING PACKAGE		
	0.5 OVER	1.0 UNDER	±0.1	APPROVED BY MSASAO	DATE 2004/05/14	molex		
	1.0 OVER	10 UNDER	±0.20	MATERIAL NO. SEE SHEET 2		DOCUMENT NO. SD-53625-003	SHEET NO. 1 OF 3	
	10 OVER	30 UNDER	±0.25	THIS DRAWING CONTAINS INFORMATION THAT IS PROPRIETARY TO MOLEX INCORPORATED AND SHOULD NOT BE USED WITHOUT WRITTEN PERMISSION				
	30 OVER		±0.3					
	ANGULAR	±3 °						
	DRAFT WHERE APPLICABLE MUST REMAIN WITHIN DIMENSIONS							



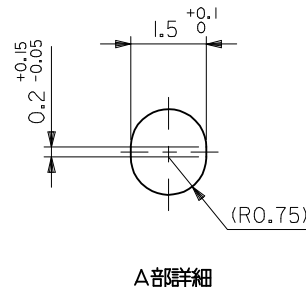
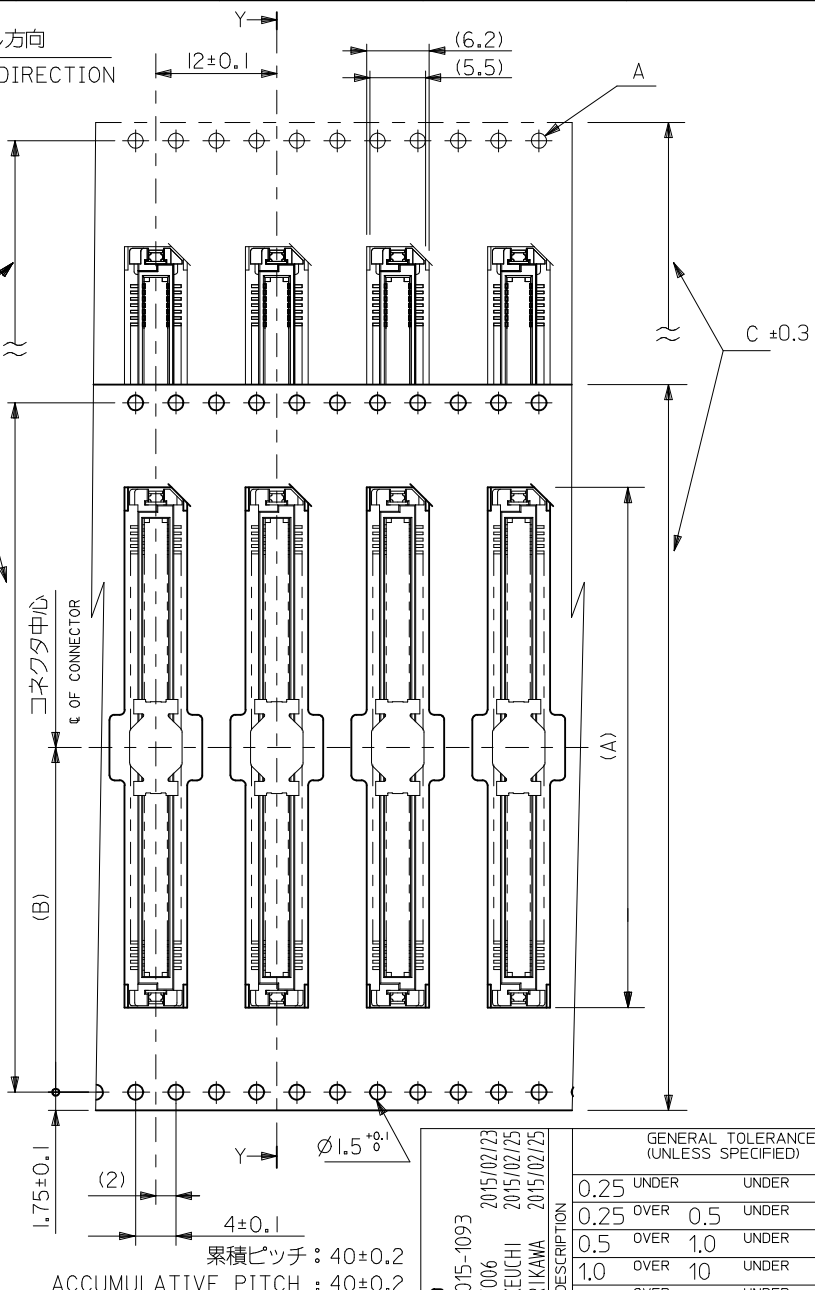
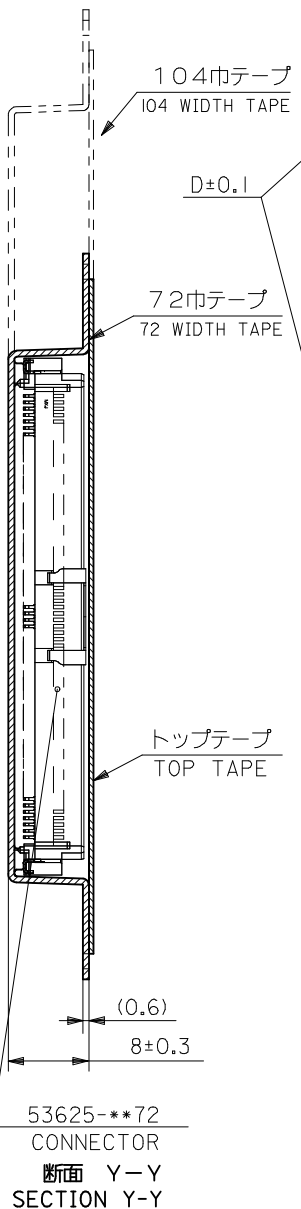
61.4	57.4	52.4	56	26.2	38.9	53625-0974	90
49.4	45.4	40.4	44	20.2	32.6	53625-0874	80
					23.1	53625-0574	50
37.4	33.4	28.4	32	14.2	19.9	53625-0474	40
					16.7	53625-0374	30
F	E	D	C	B	A	MATERIAL NO.	極数 CIRCUITS



REVISED EC NO: J2015-1093 DRWN: YSATO06 2015/02/23 CHKD: RTAKEUCHI 2015/02/25 APPR: KMORIKAWA 2015/02/25	GENERAL TOLERANCES (UNLESS SPECIFIED)		DIMENSION STYLE MM ONLY		SCALE ---	DESIGN UNITS METRIC	THIRD ANGLE PROJECTION	
	0.25 UNDER	UNDER	±0.03	DRAWN BY YWADA	DATE 2004/05/14	TITLE 53625-**72 TAPING PACKAGE		
	0.25 OVER	0.5 UNDER	±0.05	CHECKED BY MSASAO	DATE 2004/05/14	MATERIAL NO. : 53625-**74		
	0.5 OVER	1.0 UNDER	±0.1	APPROVED BY MSASAO	DATE 2004/05/14	DOCUMENT NO. SD-53625-003		
	1.0 OVER	10 UNDER	±0.20	SEE CHART		SHEET NO. 2 OF 3		
	10 OVER	30 UNDER	±0.25	THIS DRAWING CONTAINS INFORMATION THAT IS PROPRIETARY TO MOLEX INCORPORATED AND SHOULD NOT BE USED WITHOUT WRITTEN PERMISSION				
	30 OVER		±0.3					
	ANGULAR	±3 °						
	DRAFT WHERE APPLICABLE MUST REMAIN WITHIN DIMENSIONS							

10 9 8 7 6 5 4 3 2 1

引き出し方向
PULL OUT DIRECTION



104.4	100.4	104	50.2	83.4	53625-2474	240
				58	53625-1674	160
72.4	68.4	72	34.2	51.6	53625-1474	140
				45.3	53625-1274	120
E	D	C	B	A	MATERIAL NO.	極数 CIRCUITS

MODEL No. : 53625-**74

REVISED EC NO: J2015-1093 DRWN:YSATO06 2015/02/23 CHKD:RTAKEUCHI 2015/02/25 APPR:KMORIKAWA 2015/02/25	GENERAL TOLERANCES (UNLESS SPECIFIED)		DIMENSION STYLE MM ONLY	SCALE ---	DESIGN UNITS METRIC	THIRD ANGLE PROJECTION
	0.25 UNDER	UNDER	±0.03	DRAWN BY YWADA	DATE 2004/05/14	TITLE 53625-**72 TAPING PACKAGE
	0.25 OVER	0.5 UNDER	±0.05	CHECKED BY MSASAO	DATE 2004/05/14	molex
	0.5 OVER	1.0 UNDER	±0.1	APPROVED BY MSASAO	DATE 2004/05/14	
	1.0 OVER	10 UNDER	±0.20	MATERIAL NO.	DOCUMENT NO.	SHEET NO.
10 OVER	30 UNDER	±0.25	SEE CHART	SD-53625-003	3 OF 3	
30 OVER		±0.3	THIS DRAWING CONTAINS INFORMATION THAT IS PROPRIETARY TO MOLEX INCORPORATED AND SHOULD NOT BE USED WITHOUT WRITTEN PERMISSION			
ANGULAR	±3 °					
DRAFT WHERE APPLICABLE MUST REMAIN WITHIN DIMENSIONS						

9 8 7 6 5 4 3 2 1