



Chipsmall Limited consists of a professional team with an average of over 10 year of expertise in the distribution of electronic components. Based in Hongkong, we have already established firm and mutual-benefit business relationships with customers from,Europe,America and south Asia,supplying obsolete and hard-to-find components to meet their specific needs.

With the principle of “Quality Parts,Customers Priority,Honest Operation,and Considerate Service”,our business mainly focus on the distribution of electronic components. Line cards we deal with include Microchip,ALPS,ROHM,Xilinx,Pulse,ON,Everlight and Freescale. Main products comprise IC,Modules,Potentiometer,IC Socket,Relay,Connector.Our parts cover such applications as commercial,industrial, and automotives areas.

We are looking forward to setting up business relationship with you and hope to provide you with the best service and solution. Let us make a better world for our industry!



## Contact us

Tel: +86-755-8981 8866 Fax: +86-755-8427 6832

Email & Skype: info@chipsmall.com Web: www.chipsmall.com

Address: A1208, Overseas Decoration Building, #122 Zhenhua RD., Futian, Shenzhen, China



10 9 8 7 6 5 4 3 2 1

F

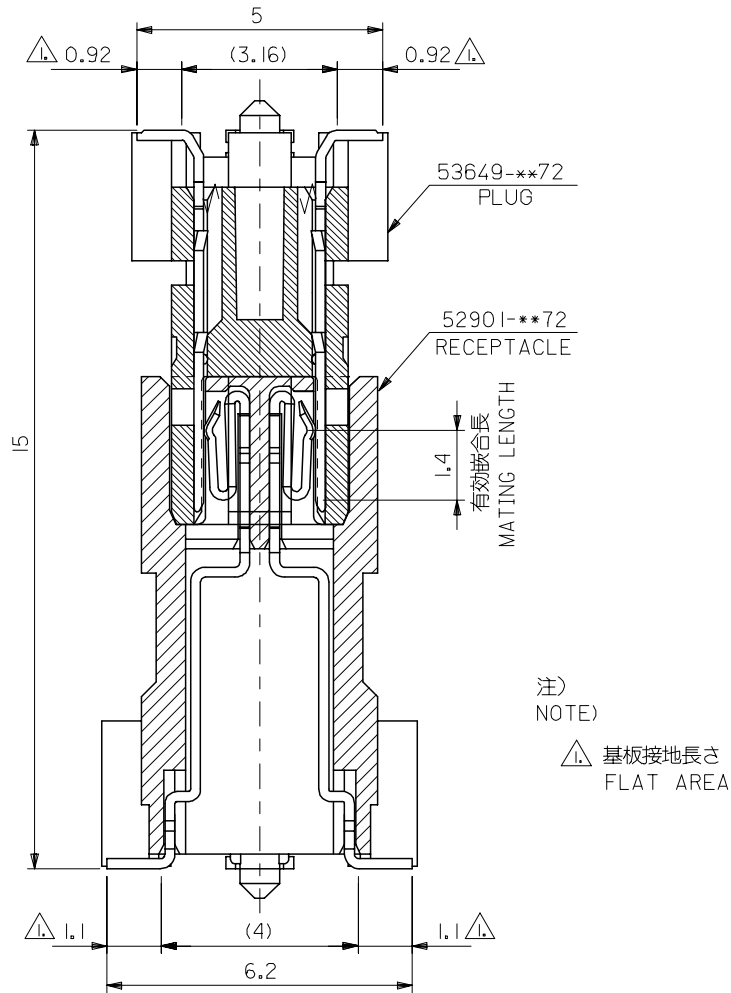
E

D

C

B

A



RELEASED EC NO: J2005-3798 DRW: KENSUZUKI 2005/06/20 CHK: D: NUKITA 2005/06/20 APPR: NUKITA 2005/06/23	GENERAL TOLERANCES (UNLESS SPECIFIED)		DIMENSION STYLE MM ONLY	SCALE 10:1	DESIGN UNITS METRIC	THIRD ANGLE PROJECTION
	10 UNDER	± 0.2	DRAWN BY KENSUZUKI	DATE 2005/06/20	TITLE 0.635 PITCH B TO B CONN. 52901/53649 SERIES MATING CROSS SECTION	
	10 OVER 30 UNDER	± 0.25	CHECKED BY NUKITA	DATE 2005/06/20	MOLEX INCORPORATED	
	30 OVER	± 0.3	APPROVED BY NUKITA	DATE 2005/06/20	DOCUMENT NO. SD-52901-015	SHEET NO. 1 OF 1
	ANGULAR	± 3 °	MATERIAL NO. SEE DRAWING			
0	DRAFT WHERE APPLICABLE MUST REMAIN WITHIN DIMENSIONS		THIS DRAWING CONTAINS INFORMATION THAT IS PROPRIETARY TO MOLEX INCORPORATED AND SHOULD NOT BE USED WITHOUT WRITTEN PERMISSION			

9

8

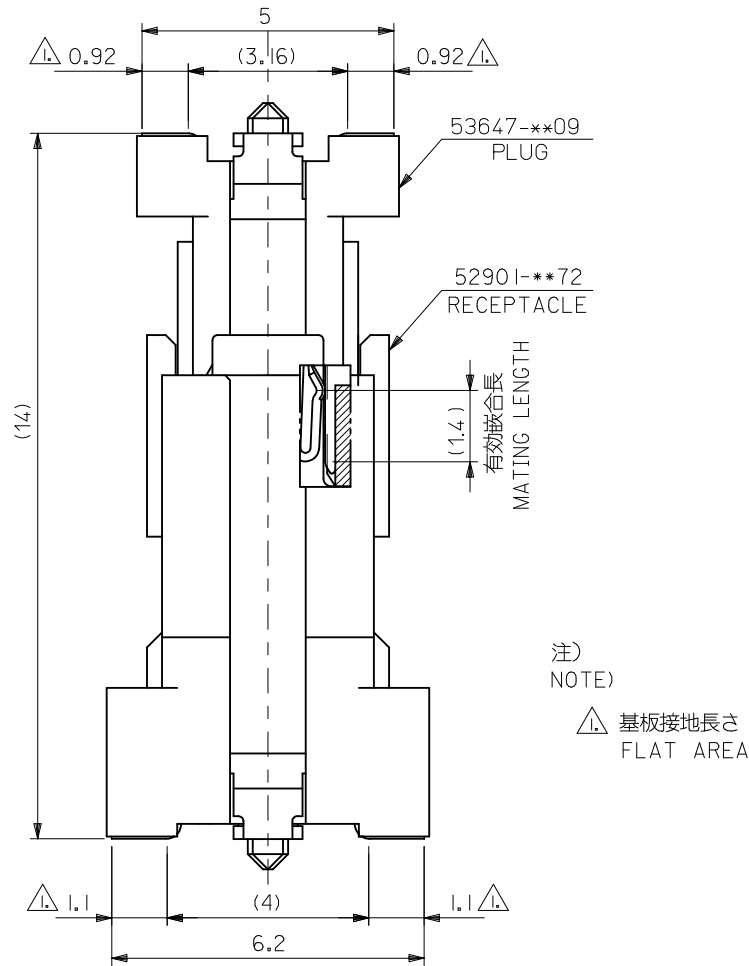
7

5

4

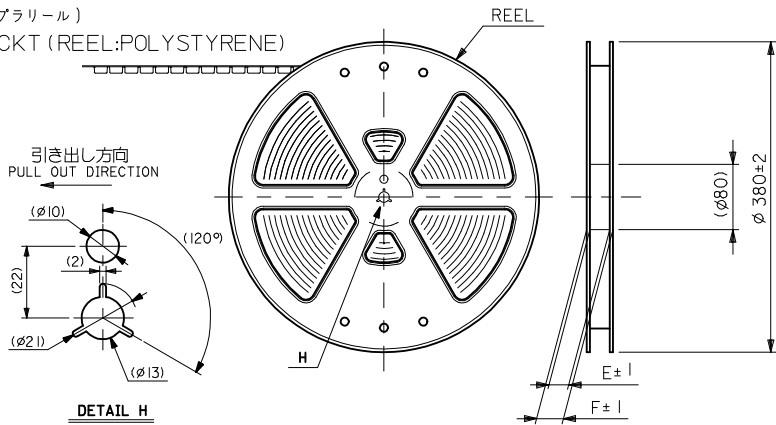
3

2



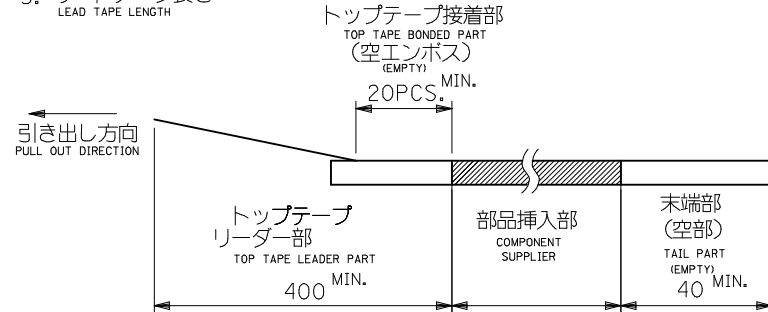
RELEASED EC NO: J2012-1293 DRWN:TKAIHO CHKD:TASAKAWA APPR:MSASAO 2012/04/09 2012/04/10 2012/04/13	GENERAL TOLERANCES (UNLESS SPECIFIED)		DIMENSION STYLE MM ONLY	SCALE 10:1	DESIGN UNITS METRIC	THIRD ANGLE PROJECTION
	10 UNDER	± 0.2	DRAWN BY TKAIHO	DATE 2012/04/09	TITLE 0.635 BB CONN. 52901/53647 SERIES MATING DRAWING <b>molex</b>	
	10 OVER 30 UNDER	± 0.25	CHECKED BY TASAKAWA	DATE 2012/04/10		
	30 OVER	± 0.3	APPROVED BY MSASAO	DATE 2012/04/13		
0	ANGULAR ±3 ° DRAFT WHERE APPLICABLE MUST REMAIN WITHIN DIMENSIONS	SEE DRAWING	MATERIAL NO.	DOCUMENT NO. SD-52901-017	SHEET NO. 1 OF 1	
		THIS DRAWING CONTAINS INFORMATION THAT IS PROPRIETARY TO MOLEX INCORPORATED AND SHOULD NOT BE USED WITHOUT WRITTEN PERMISSION				

140極に対応(ブラリール)  
FOR 140 CKT (REEL:POLYSTYRENE)

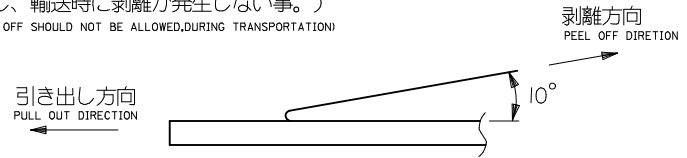


注)  
NOTES

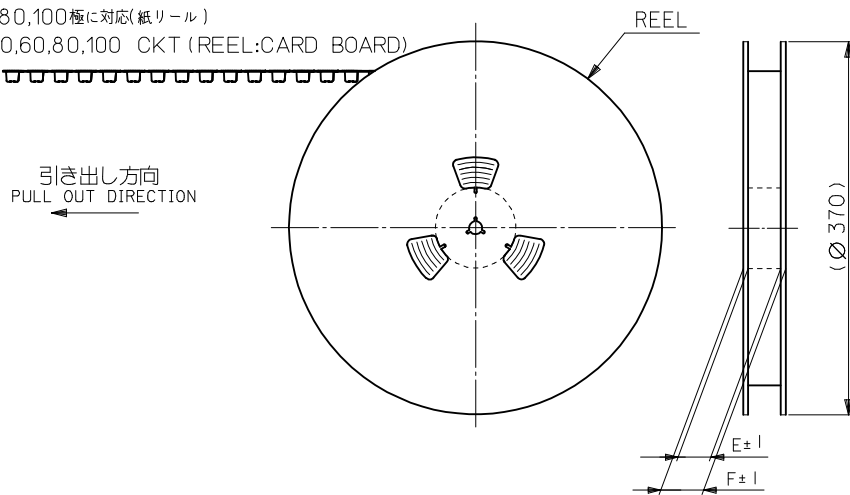
1. 製品番号 53649-\*\*\*72 の詳細寸法については、SD-53649-004 を参照下さい。  
IN THE PACKAGE , PART NO. 53649-\*\*\*72 DETAILED DIMENSIONS , SEE SD-53649-004
2. 梱包数量 : 760 個/リール  
NUMBER OF CONNECTORS : 760 PCS/REEL
3. リードテープ長さ  
LEAD TAPE LENGTH



4. トップテープの剥離強度 (剥離方向は下図参照)  
PEELING OFF FORCE OF TOP TAPE (PEELING DIRECTION AS SHOWN IN FOLLOWING FIG.)  
0.1 - 1.3 N (30,40,60,80,100CKT)  
0.1 - 1.5 N (140CKT)  
尚、本規格値は、出荷時に適用。  
THIS REQUIREMENT SHOULD BE APPLIED AT SHIPMENT  
(但し、輸送時に剥離が発生しない事。)  
(PEEL OFF SHOULD NOT BE ALLOWED,DURING TRANSPORTATION)

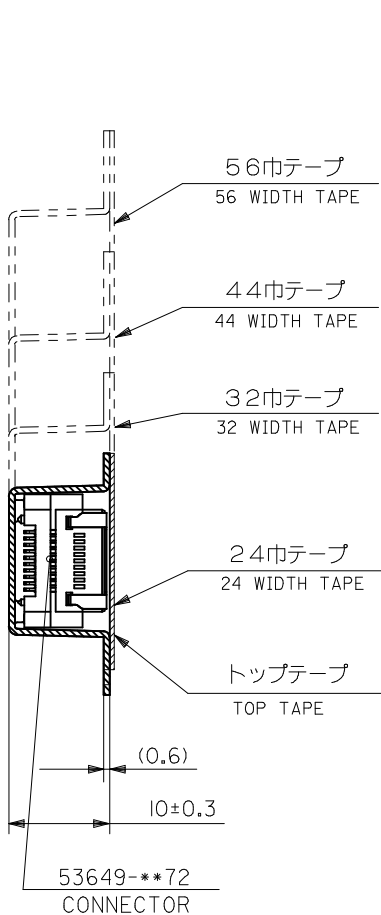


30,40,60,80,100極に対応(紙リール)  
FOR 30,40,60,80,100 CKT (REEL:CARD BOARD)

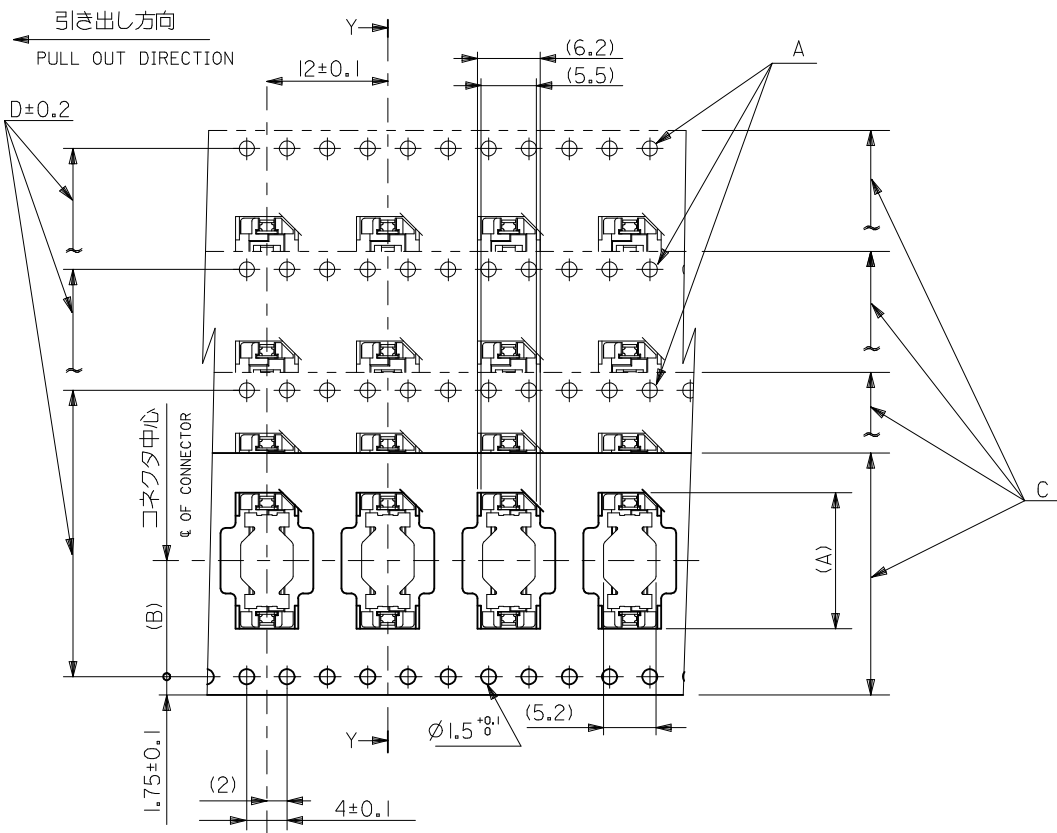


5. 材料  
MATERIAL  
キャリアテープ : ポリプロピレン (PP)  
CARRIER TAPE : POLYPROPYLENE (PP)  
トップテープ : PET, PE, PEF  
TOP TAPE : PET, PE, P-F  
リール : 紙 (30,40,60,80,100極) ポリスチレン (140極)  
REEL : CARDBOARD(FOR 30,40,60,80,100CKT) POLYSTYRENE(140CKT)
6. 本製品は 53649-\*\*\*4 の鉛フリー品である。  
THIS PRODUCT IS LEAD FREE OF 53649-\*\*\*4

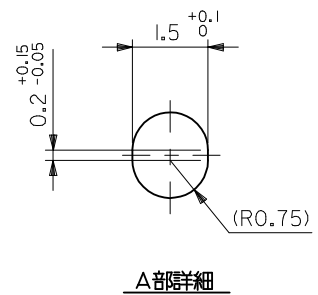
REVISED EC NO.: J2013-1013 2013/03/14 DRWK:TOYODA 2013/03/15 CHKD:TASAKAWA 2013/03/27 APPR:MSASAO	DESCRIPTION D	GENERAL TOLERANCES (UNLESS SPECIFIED)		DIMENSION STYLE MM ONLY		SCALE ---	DESIGN UNITS METRIC	THIRD ANGLE PROJECTION	
		10 UNDER	± ---	DRAWN BY M. NABEI	DATE '04/02/25	TITLE EMBOSSED TAPE PACKAGE FOR 53649-***72 -LEAD FREE-			
		10 OVER 30 UNDER	± ---	CHECKED BY K. TOJO	DATE '04/02/25				
		30 OVER	± ---	APPROVED BY M. SASAO	DATE '04/02/25				
ANGULAR ± --- °		DRAFT WHERE APPLICABLE MUST REMAIN WITHIN DIMENSIONS		MATERIAL NO. SEE CHART		DOCUMENT NO. SD-53649-005		SHEET NO. 1 OF 2	
SIZE A3 THIS DRAWING CONTAINS INFORMATION THAT IS PROPRIETARY TO MOLEX INCORPORATED AND SHOULD NOT BE USED WITHOUT WRITTEN PERMISSION									



断面 Y-Y  
SECTION Y-Y



累積ピッチ : 40±0.2  
ACCUMULATIVE  
PITCH : 40±0.2



78.1	73.5	68.4	72 <sup>+0.3</sup>	34.2	51.6	53649-1474	140	
61.4	57.4	52.4	56 <sup>+0.3</sup>	26.2	38.9	53649-1074	100	
49.4	45.4	40.4	44 <sup>+0.3</sup>	20.2	32.6	53649-0874	80	
37.4	33.4	28.4	32 <sup>+0.3</sup>	14.2	26.2	53649-0674	60	
29.4	25.4	#	24 <sup>+0.3</sup>	11.5	19.9	53649-0474	40	
F	E	D	C	キャリアテープ幅 CARRIER TAPE WIDTH	(B)	(A)	MATERIAL NO.	極数 NO. OF CXTS.
MODEL NO.							53649-**74	

REVISED EC NO: J2013-1013 DRW:KTOYODA 2013/03/14 CHK:D.TASAKAWA 2013/03/14 APPR:MSASAO 2013/03/27	GENERAL TOLERANCES (UNLESS SPECIFIED)		DIMENSION STYLE MM ONLY		SCALE ---	DESIGN UNITS METRIC		THIRD ANGLE PROJECTION	
	10 UNDER	± ---	DRAWN BY M. NABEI	DATE '04/02/25	TITLE EMBOSSED TAPE PACKAGE FOR 53649-**72 -LEAD FREE-				
	10 OVER 30 UNDER	± ---	CHECKED BY K. TOJO	DATE '04/02/25					
	30 OVER	± ---	APPROVED BY M. SASAO	DATE '04/02/25					
ANGULAR	± --- °	MATERIAL NO.		DOCUMENT NO.		SHEET NO.			
DRAFT WHERE APPLICABLE MUST REMAIN WITHIN DIMENSIONS		SEE CHART		SD-53649-005		2 OF 2			
THIS DRAWING CONTAINS INFORMATION THAT IS PROPRIETARY TO MOLEX INCORPORATED AND SHOULD NOT BE USED WITHOUT WRITTEN PERMISSION									