



Chipsmall Limited consists of a professional team with an average of over 10 year of expertise in the distribution of electronic components. Based in Hongkong, we have already established firm and mutual-benefit business relationships with customers from,Europe,America and south Asia,supplying obsolete and hard-to-find components to meet their specific needs.

With the principle of “Quality Parts,Customers Priority,Honest Operation,and Considerate Service”,our business mainly focus on the distribution of electronic components. Line cards we deal with include Microchip,ALPS,ROHM,Xilinx,Pulse,ON,Everlight and Freescale. Main products comprise IC,Modules,Potentiometer,IC Socket,Relay,Connector.Our parts cover such applications as commercial,industrial, and automotives areas.

We are looking forward to setting up business relationship with you and hope to provide you with the best service and solution. Let us make a better world for our industry!



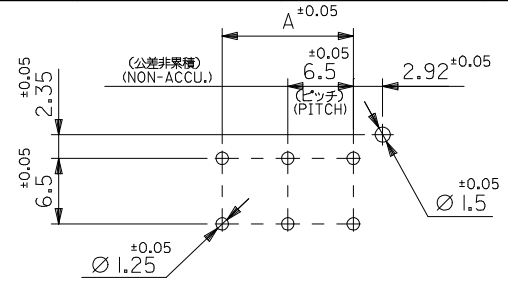
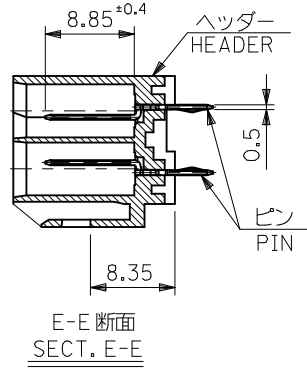
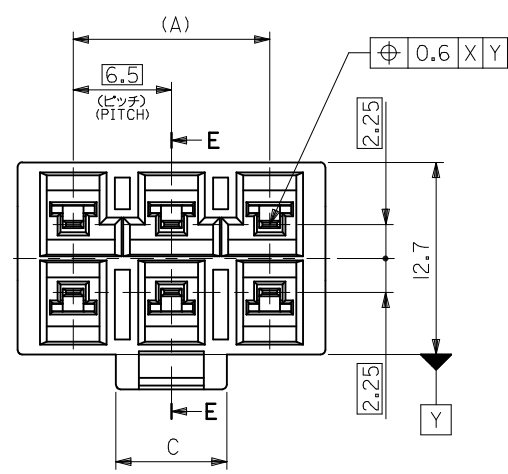
## Contact us

Tel: +86-755-8981 8866 Fax: +86-755-8427 6832

Email & Skype: info@chipsmall.com Web: www.chipsmall.com

Address: A1208, Overseas Decoration Building, #122 Zhenhua RD., Futian, Shenzhen, China





基板取り付け推奨寸法 (マウント面)  
(基板厚: t.l.6mm)  
RECOMMENDED P.C. BOARD HOLE  
DIM. (MOUNTING SIDE)  
(THK.: t.l.6mm)

注記  
NOTES

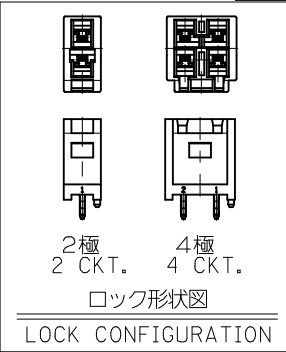
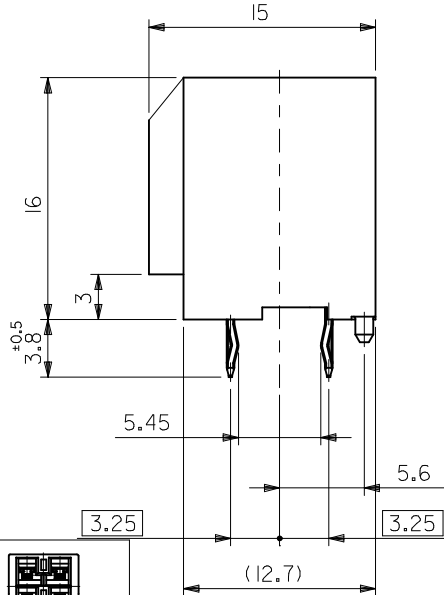
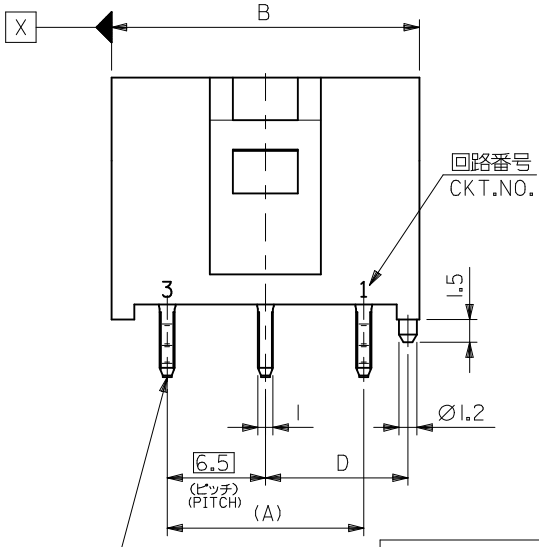
- 嵌合相手: 51142シリーズ  
MATE WITH: 51142 SERIES
- 材質 MATERIAL  
ピン: 銅合金、ニッケル下地錫めっき (1μm以上)  
PIN: COPPER ALLOY, TIN OVER NICKEL PLATED (1μm MIN.)  
ヘッダー: ポリアミド(PA)、ガラス充填、UL94V-0  
HEADER: POLYAMIDE(PA), GLASS FILLED, UL94V-0
- 6極のキンプは、両端の4ピンに付加。  
KINK FOR 6 CKT. TO BE APPLIED ON 4 PIN OF BOTH SIDES.
- 53728-\*\*-19は、53728-\*\*-10の鉛フリー品である。  
53728-\*\*-19 IS LEAD FREE TYPE OF 53728-\*\*-10.  
53728-\*\*-6\*は、53728-\*\*-1\*の鉛フリー品である。  
53728-\*\*-6\* IS LEAD FREE TYPE OF 53728-\*\*-1\*.
- ELV AND RoHS COMPLIANT.

6. オーダー番号 ORDER NO.

53728-\*\*\*\*

極数 色  
CIRCUIT SIZE COLOR

HSG COLOR	NO.
WHITE	19
BLACK	61
RED	62
YELLOW	63
BLUE	64
GRAY	65
GREEN	66
ORANGE	68
PINK	69
BROWN	81
PURPLE	82
MINT	83



9.42	7.34	20.34	13	53728-06**	6
6.17	10.74	13.84	6.5	53728-04**	4
2.92	7.34	7.34	—	53728-02**	2
D	C	B	A	TRAY PACKAGE	極数 CKT.
					ORDER NO.

REVISED EC NO: J2014-0511 DRWN: MIKEDA01 2013/09/19 CHKD: KASAKAWA 2013/10/07 APPR: NUKITA 2013/10/08	GENERAL TOLERANCES (UNLESS SPECIFIED)		DIMENSION STYLE MM ONLY		SCALE ---	DESIGN UNITS METRIC	THIRD ANGLE PROJECTION		
	10 UNDER ± 0.2	10 OVER 30 UNDER ± 0.25	30 OVER ± 0.3	DRAWN BY M. NABEI	DATE '04/3/26	TITLE 6.5 W/B CONN HEADER ASSY (WITH BOSS WITH KINK)			
	ANGULAR ± --- °			CHECKED BY K. TOJO	DATE '04/3/26	<b>molex</b>			
	DRAFT WHERE APPLICABLE MUST REMAIN WITHIN DIMENSIONS			APPROVED BY M. SASAO	DATE '04/3/26				
			MATERIAL NO. SEE TABLE	THIS DRAWING CONTAINS INFORMATION THAT IS PROPRIETARY TO MOLEX INCORPORATED AND SHOULD NOT BE USED WITHOUT WRITTEN PERMISSION					