



Chipsmall Limited consists of a professional team with an average of over 10 year of expertise in the distribution of electronic components. Based in Hongkong, we have already established firm and mutual-benefit business relationships with customers from,Europe,America and south Asia,supplying obsolete and hard-to-find components to meet their specific needs.

With the principle of “Quality Parts,Customers Priority,Honest Operation,and Considerate Service”,our business mainly focus on the distribution of electronic components. Line cards we deal with include Microchip,ALPS,ROHM,Xilinx,Pulse,ON,Everlight and Freescale. Main products comprise IC,Modules,Potentiometer,IC Socket,Relay,Connector.Our parts cover such applications as commercial,industrial, and automotives areas.

We are looking forward to setting up business relationship with you and hope to provide you with the best service and solution. Let us make a better world for our industry!



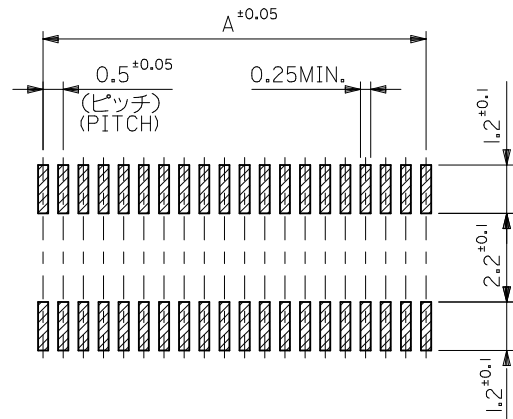
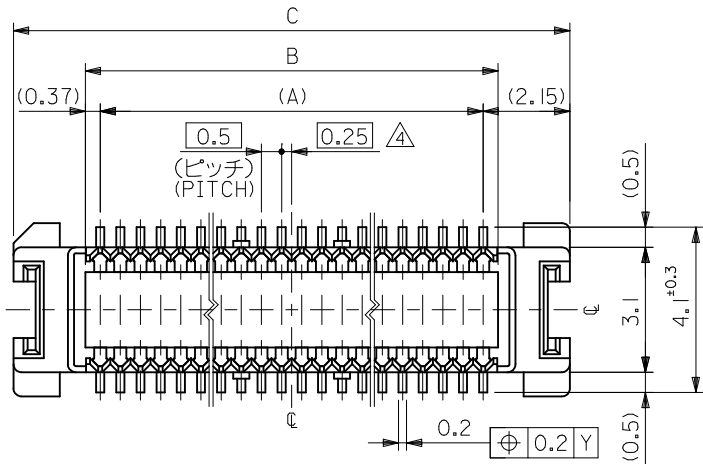
Contact us

Tel: +86-755-8981 8866 Fax: +86-755-8427 6832

Email & Skype: info@chipsmall.com Web: www.chipsmall.com

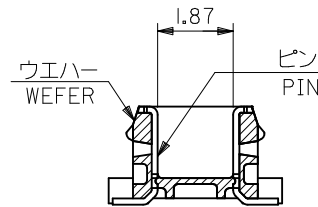
Address: A1208, Overseas Decoration Building, #122 Zhenhua RD., Futian, Shenzhen, China



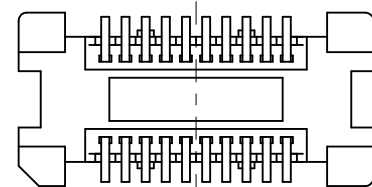


参考基板レイアウト (マウント面)

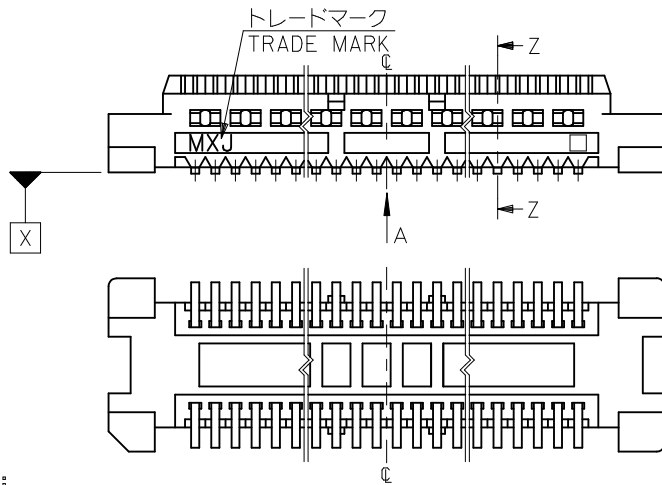
P.C. BOARD PATTERN
DIMENSION. (REF.)
(MOUNTING AREA)



SECT. Z-Z



VIEW A (CASE OF 20-30CKT)



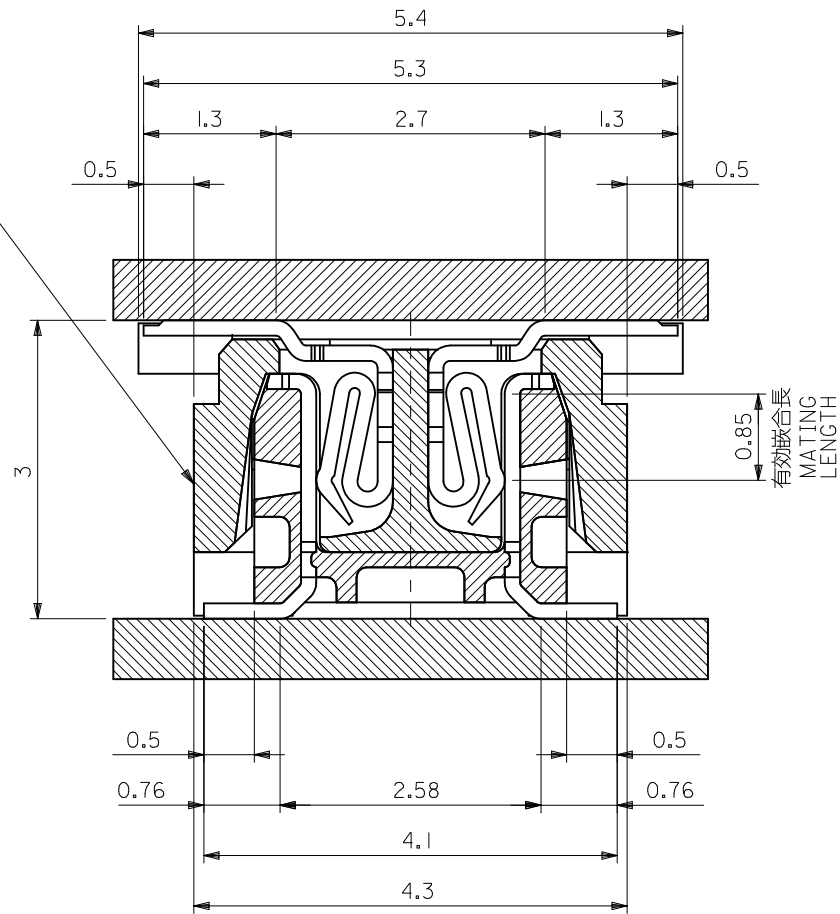
注記 NOTES:

1. 使用材料 MATERIAL
ハウジング: LCPガラス入り (白), UL94V-0
HOUSING: LCP(G.F.)(COLOR:WHITE), UL94V-0
ターミナル: 黄銅 (t=0.15)
TERMINAL: BRASS (t=0.15)
2. メッキ仕様 PLATING
全体仕上げ: 金メッキ 0.1 MICROMETER MIN.
ALL OVER: GOLD 0.1 MICROMETER MIN.
下地メッキ: ニッケルメッキ 1.5 MICROMETER MIN.
UNDER PLATING: NICKEL 1.5 MICROMETER MIN.
3. 基準面 X からのソルダーテールの半田付け面のズレ量は、上方向 0 下方向 0.15MAX. とする。
MISALIGNMENT OF SOLDER TAIL FROM X : UPPER DIRECTION 0, LOWER DIRECTION 0.15 MAX.
4. (全極数 / 2) = 偶数の場合に適用。
APPLY FOR (CIRCUIT/2) = EVEN.
5. 嵌合相手: 52991 シリーズ 54167 シリーズ
MATE WITH: 52991 SERIES, 54167 SERIES.
6. テール平坦度は、0.1MAX.
TAIL COPLANARITY TO BE 0.1MAX.
7. ELV 及び RoHS 適合品
ELV AND RoHS COMPLIANT

23.8	20.24	19.5	53748-0808	53748-0800	80
21.3	17.74	17.0	53748-0708	53748-0700	70
18.8	15.24	14.5	53748-0608	53748-0600	60
13.8	10.24	9.5	53748-0408	53748-0400	40
11.3	7.74	7.0	53748-0308	53748-0300	30
8.8	5.24	4.5	53748-0208	53748-0200	20
C	B	A	EMBOSSED TAPE ORDER No.	MATERIAL NO.	極数 CIRCUIT

REVISED EC NO: J2010-1926 DRW: KTOYODA 2010/03/24 CHKD: SMARUYAMA 2010/03/26 APP: MSASAO 2010/03/29	DESCRIPTION	GENERAL TOLERANCES (UNLESS SPECIFIED)		DIMENSION STYLE	SCALE	DESIGN UNITS	THIRD ANGLE PROJECTION	
		10 UNDER	±0.2	MM ONLY	8:1	METRIC	☉	
		10 OVER 30 UNDER	±0.25	DRAWN BY	DATE	TITLE	0.5 B-TO-B CONN PLUG ASSY (W/O BOSS, W/O NAIL)	
		30 OVER	±0.3	S. AIHARA	'96/2/27		MOLEX INCORPORATED	
		ANGULAR	±3 °	CHECKED BY	DATE			
		DRAFT WHERE APPLICABLE MUST REMAIN WITHIN DIMENSIONS		M. SASAO	'01/12/26			
				APPROVED BY	DATE			
				M. SASAO	'01/12/26			
				MATERIAL NO.	DOCUMENT NO.			
				SEE TABLE	SD-53748-002			
				SIZE	THIS DRAWING CONTAINS INFORMATION THAT IS PROPRIETARY TO MOLEX INCORPORATED AND SHOULD NOT BE USED WITHOUT WRITTEN PERMISSION			
				A3				
							SHEET NO. 1 OF 2	

嵌合相手 MATE WITH
 52991-***0 (白 WHITE)
 54167-***1 (黒 BLACK)



嵌合断面図 (参考)
 MATED DRAWING (REF.)

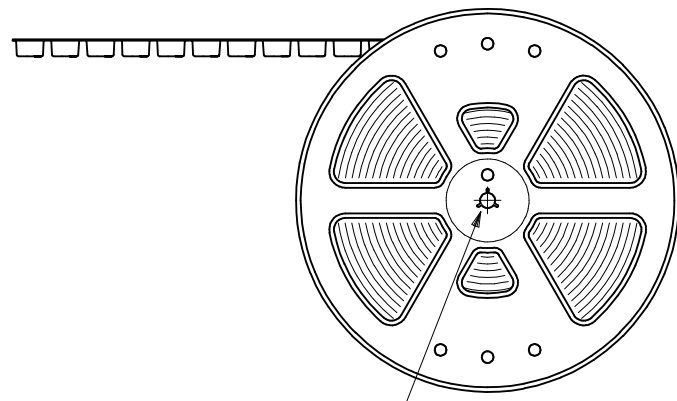
MODEL NO. 53748-***0

REVISED EC NO: J2010-1926 DRW:KTOYODA 2010/03/24 CHK:D.SMARUYAMA '01/12/26 APPR:MSASAO 2010/03/29	GENERAL TOLERANCES (UNLESS SPECIFIED)		DIMENSION STYLE MM ONLY		SCALE 8:1	DESIGN UNITS METRIC	THIRD ANGLE PROJECTION		
	10 UNDER	± ---	DRAWN BY S. AIHARA	DATE '96/2/27	TITLE 0.5 B-TO-B CONN PLUG ASSY (W/O BOSS ,W/O NAIL)				
	10 OVER 30 UNDER	± ---	CHECKED BY M. SASAO	DATE '01/12/26	MOLEX INCORPORATED				
	30 OVER	± ---	APPROVED BY M. SASAO	DATE '01/12/26	MATERIAL NO. SEE TABLE	DOCUMENT NO. SD-53748-002	SHEET NO. 2 OF 2		
D	ANGULAR ± --- ° DRAFT WHERE APPLICABLE MUST REMAIN WITHIN DIMENSIONS		THIS DRAWING CONTAINS INFORMATION THAT IS PROPRIETARY TO MOLEX INCORPORATED AND SHOULD NOT BE USED WITHOUT WRITTEN PERMISSION						

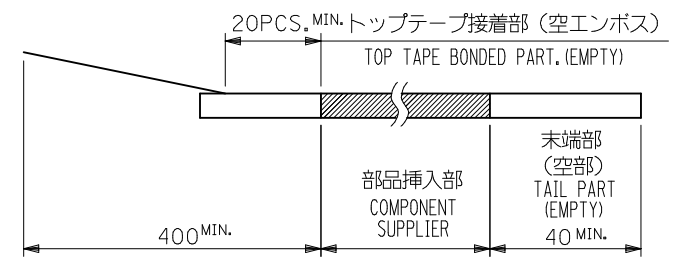
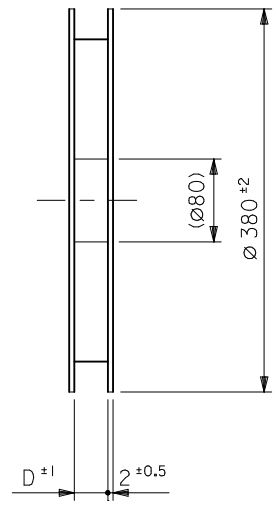
NOTES

- 製品詳細寸法については図面 SD-53748-002 を参照下さい。
RE DETAILED DIMENSION, SEE SD-53748-002
- 梱包数量：3000個/リール
NUMBER OF CONNECTORS : 3000PCS/REEL
- リードテープ長さ LEAD TAPE LENGTH

引き出し方向
PULL OUT
DIRECTION

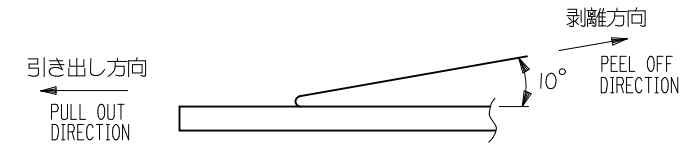


引き出し方向
PULL OUT
DIRECTION

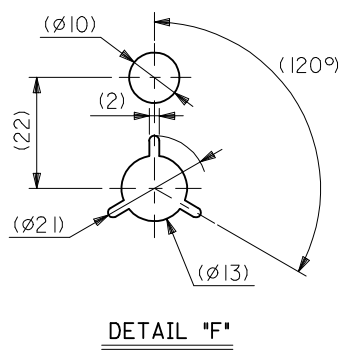


- トップテープの剥離強度：0.1N ~ 0.7N(10.2gf ~ 71.4gf)
(剥離方向は下図参照)

尚、本規格値は出荷時に適用。(但し、輸送時に剥離が発生しないこと。)
PEELING OFF FORCE OF TOP TAPE : 0.1N ~ 0.7N(10.2gf ~ 71.4gf)
(PEELING DIRECTION AS SHOWN IN FOLLOWING FIG.)
THIS REQUIREMENT SHOULD BE APPLIED AT SHIPMENT.
PEEL OFF SHOULD NOT BE ALLOWED , DURING TRANSPORTATION.



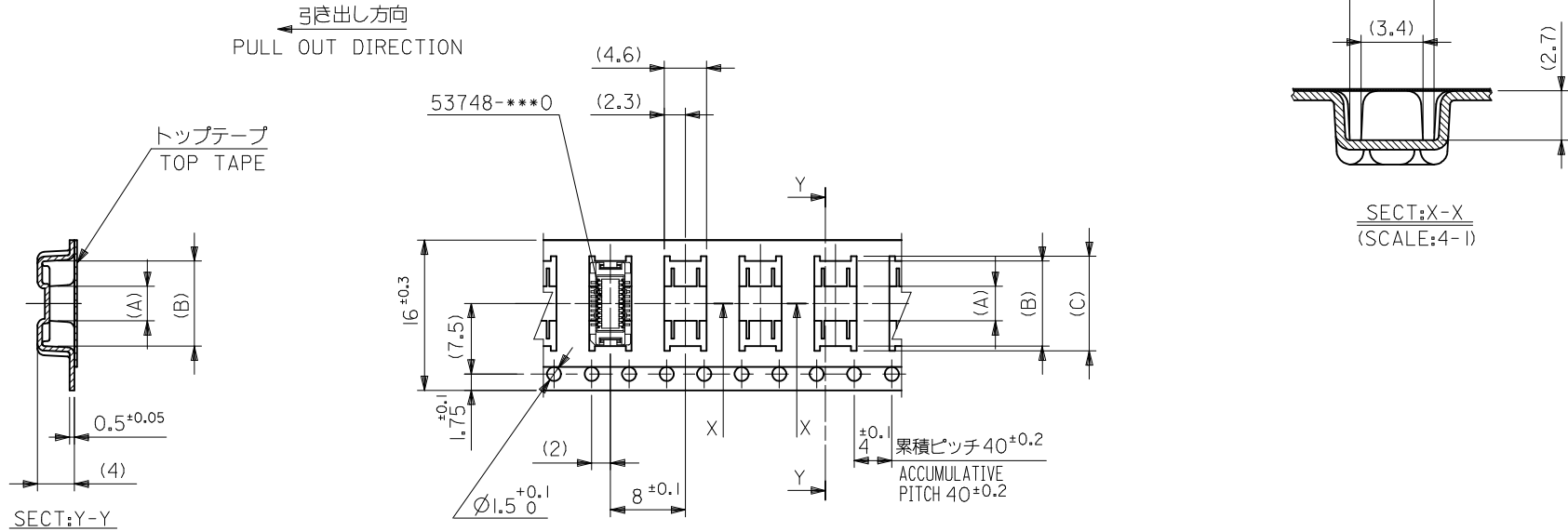
- 材料(MATERIAL)
キャリアテープ(CARRIER TAPE)：ポリプロピレン(POLYPROPYLENE)
トップテープ(TOPTAPE)：PET , PE , PEF
リール(REEL)：ポリスチレン (PS) <リサイクル材を含む>
POLYSTYREN(PS) <RECYCLE MATERIAL CONTAINED>



DETAIL "F"

MODEL NO. 53748-***8

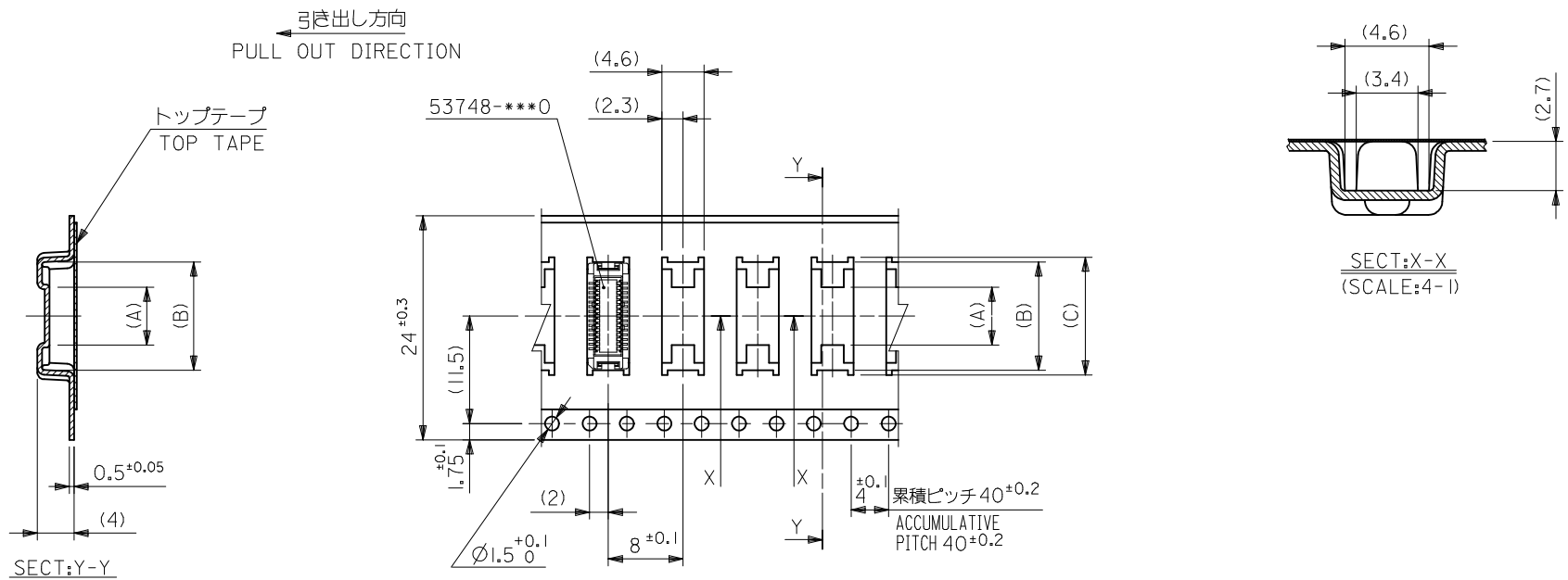
REVISED EC NO: J2009-0487 DRWN:NAKAMURA 2008/12/08 CHKD:T. HARUYAMA 2008/12/08 APPR:NUKITA 2009/01/09	GENERAL TOLERANCES (UNLESS SPECIFIED)		DIMENSION STYLE MM ONLY		SCALE ---	DESIGN UNITS METRIC	THIRD ANGLE PROJECTION	
	10 UNDER	±0.2	DRAWN BY T. NIITSU	DATE '95/10/17	TITLE 0.5 BTB CONN PLUG (BOSS,NAIL)EMBSTP PKG			
	10 OVER 30 UNDER	±0.25	CHECKED BY T. ITO	DATE '01/1/23				
	30 OVER	±0.3	APPROVED BY M. FUKUSHIMA	DATE '01/1/23	MOLEX INCORPORATED			
	ANGULAR ±3 °		MATERIAL NO.					
DRAFT WHERE APPLICABLE MUST REMAIN WITHIN DIMENSIONS		SEE TABLE		SD-53748-005		1 OF 5		
		THIS DRAWING CONTAINS INFORMATION THAT IS PROPRIETARY TO MOLEX INCORPORATED AND SHOULD NOT BE USED WITHOUT WRITTEN PERMISSION						



16mm幅キャリアテープ
16mm WIDTH CARRIER TAPE

16	17.5	10.1	9.1	3.7	53748-0208	20
キャリアテープ幅 CARRIER TAPE WIDTH	D	(C)	(B)	(A)	MATERIAL NO.	種数 CKT.
					MODEL NO.	53748-***8

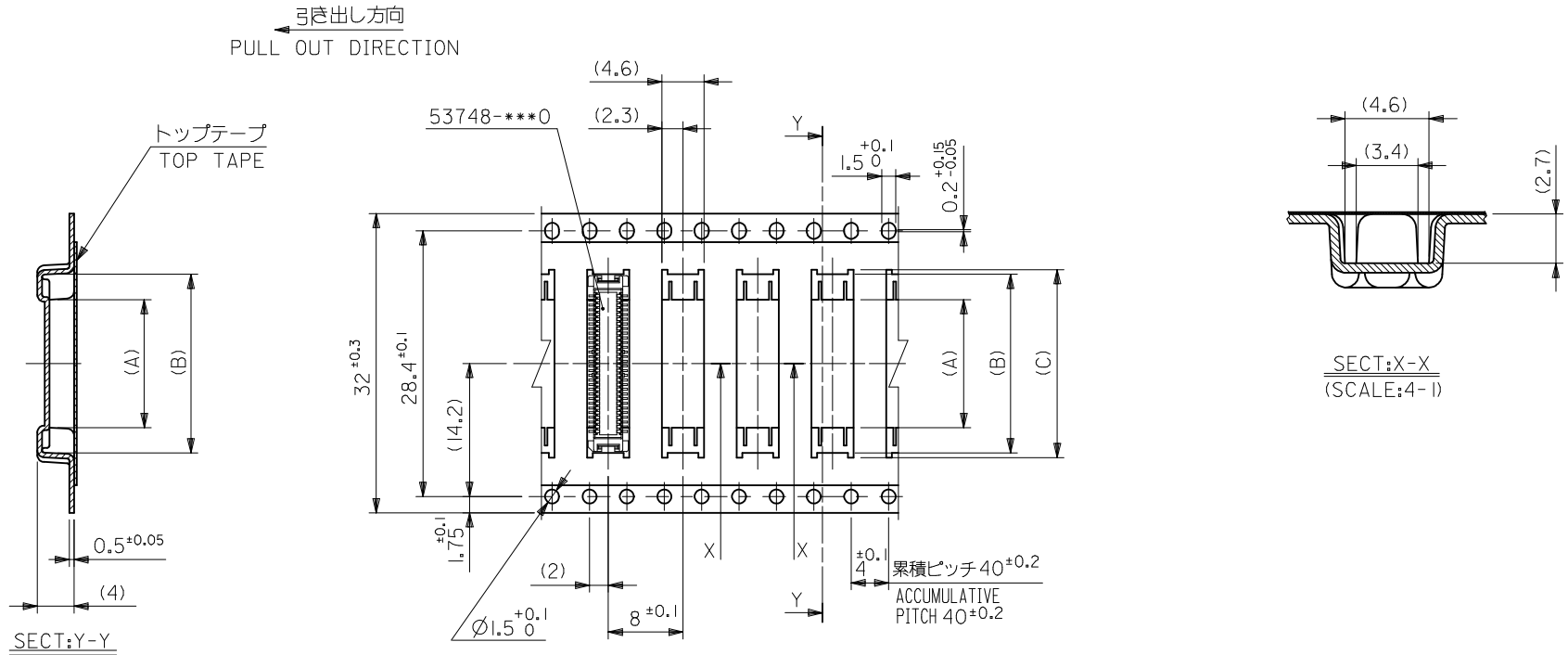
REVISED EC NO: J2009-0487 DRWN:NAKAMURA 2008/12/08 CHKD:T. HARUYAMA 2008/12/08 APPR:NUKITA 2009/01/09	DESCRIPTION REV	GENERAL TOLERANCES (UNLESS SPECIFIED)		DIMENSION STYLE MM ONLY		SCALE ---	DESIGN UNITS METRIC	THIRD ANGLE PROJECTION		
		10 UNDER	± ---	DRAWN BY T. NIITSU	DATE '95/10/17	TITLE 0.5 BTB CONN PLUG(W/O BOSS W/O NAIL)EMBSTP PKG				
		10 OVER 30 UNDER	± ---	CHECKED BY T. ITO	DATE '01/1/23	APPROVED BY M. FUKUSHIMA '01/1/23				
		30 OVER	± ---	MATERIAL NO. SEE TABLE		DOCUMENT NO. SD-53748-005		SHEET NO. 2 OF 5		
ANGULAR ± --- °		DRAFT WHERE APPLICABLE MUST REMAIN WITHIN DIMENSIONS		THIS DRAWING CONTAINS INFORMATION THAT IS PROPRIETARY TO MOLEX INCORPORATED AND SHOULD NOT BE USED WITHOUT WRITTEN PERMISSION						



24mm幅キャリアテープ
24mm WIDTH CARRIER TAPE

24	25.5	15.1	14.1	7.4	53748-0408	40
		12.6	11.6	4.9	53748-0308	30
キャリアテープ幅 CARRIER TAPE WIDTH	D	(C)	(B)	(A)	MATERIAL NO.	種数 CKT.
					MODEL NO.	53748-***8

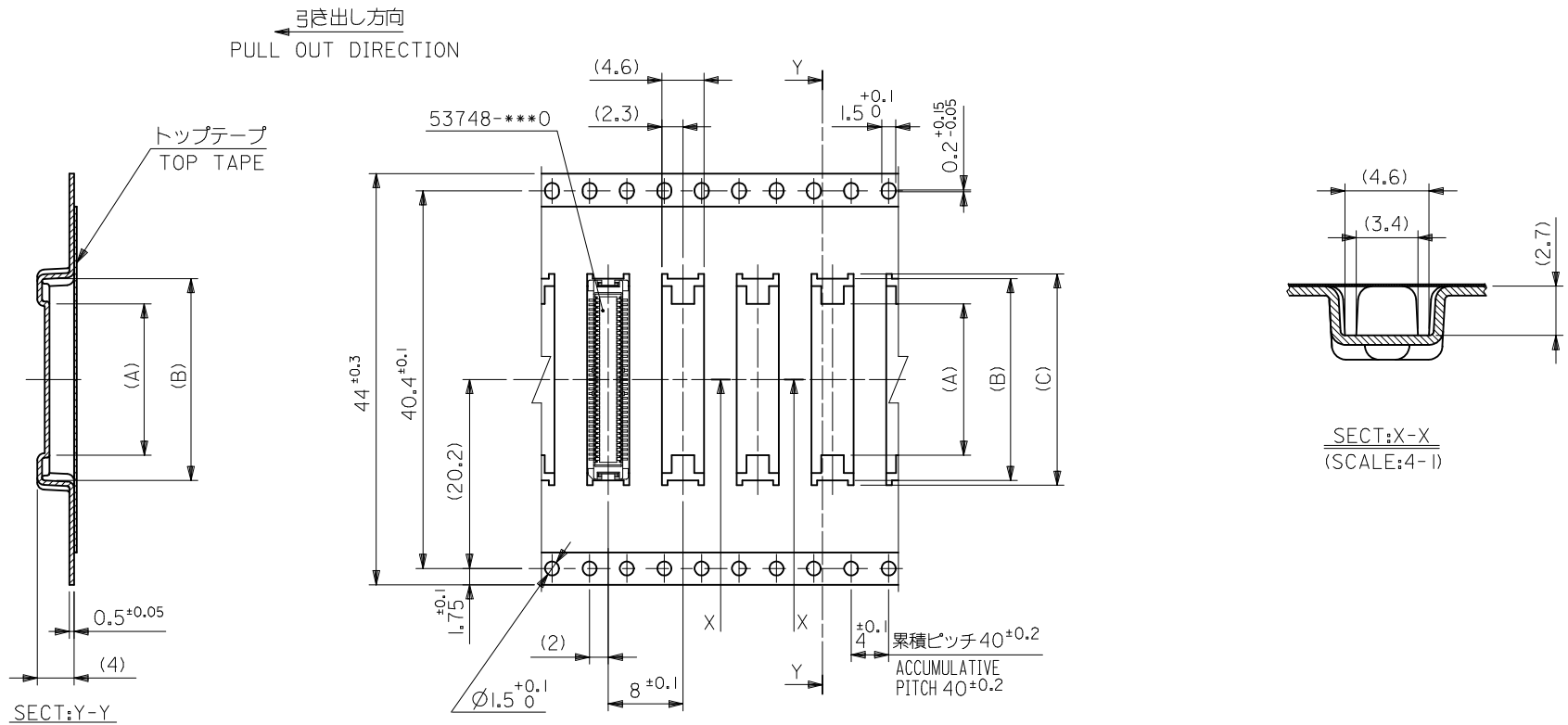
REVISED EC NO: J2009-0487 DRWN:NAKAMURA 2008/12/08 CHKD:T. HARUYAMA 2008/12/08 APPR:NUKITA 2009/01/09	GENERAL TOLERANCES (UNLESS SPECIFIED)		DIMENSION STYLE MM ONLY		SCALE ---	DESIGN UNITS METRIC	THIRD ANGLE PROJECTION
	10 UNDER	± ---	DRAWN BY S. AIHARA	DATE '96/4/1	TITLE 0.5 BTB CONN PLUG(W/O BOSS W/O NAIL)EMBSTP PKG		
	10 OVER 30 UNDER	± ---	CHECKED BY T. ITO	DATE '01/1/23	MOLEX INCORPORATED		
	30 OVER	± ---	APPROVED BY M. FUKUSHIMA	DATE '01/1/23	DOCUMENT NO. SD-53748-005	SHEET NO. 3 OF 5	
REV	DESCRIPTION	ANGULAR ± --- °	MATERIAL NO. SEE TABLE		THIS DRAWING CONTAINS INFORMATION THAT IS PROPRIETARY TO MOLEX INCORPORATED AND SHOULD NOT BE USED WITHOUT WRITTEN PERMISSION		
		DRAFT WHERE APPLICABLE MUST REMAIN WITHIN DIMENSIONS					



32mm幅キャリアテープ
32mm WIDTH CARRIER TAPE

32	33.5	20.1	19.1	13.7	53748-0608	60
キャリアテープ幅 CARRIER TAPE WIDTH	D	(C)	(B)	(A)	MATERIAL NO.	種数 CKT.
					MODEL NO.	53748-***0

REVISED EC NO: J2009-0487 DRWN:NAKAMURA 2008/12/08 CHK'D: HARUYAMA 2008/12/08 APPR: NUKITA 2009/01/09	GENERAL TOLERANCES (UNLESS SPECIFIED)		DIMENSION STYLE MM ONLY		SCALE ---		DESIGN UNITS METRIC		THIRD ANGLE PROJECTION				
	10 UNDER	± ---	DRAWN BY	DATE	TITLE								
	10 OVER 30 UNDER	± ---	S. AIHARA	'95/11/13	0.5 BTB CONN PLUG (W/O BOSS W/O NAIL)ENBSTP PKG								
	30 OVER	± ---	T. ITO	'01/1/23	APPROVED BY								
ANGULAR	± --- °	M. FUKUSHIMA	'01/1/23	MOLEX INCORPORATED									
DRAFT WHERE APPLICABLE MUST REMAIN WITHIN DIMENSIONS		SEE TABLE		DOCUMENT NO.				SHEET NO.					
		SIZE A3		THIS DRAWING CONTAINS INFORMATION THAT IS PROPRIETARY TO MOLEX INCORPORATED AND SHOULD NOT BE USED WITHOUT WRITTEN PERMISSION						SD-53748-005		4 OF 5	



44mm幅キャリアテープ
44mm WIDTH CARRIER TAPE

44	45.5	25.1	24.1	18.7	53748-0808	80
		22.6	21.6	16.2	53748-0708	70
キャリアテープ幅 CARRIER TAPE WIDTH	D	(C)	(B)	(A)	MATERIAL NO.	種数 CKT.
					MODEL NO.	53748-***8

REVISED EC NO: J2009-0487 DRWN:NAKAMURA 2008/12/08 CHKD:T. HARIYAMA 2008/12/08 APPR:NUKITA 2009/01/09	GENERAL TOLERANCES (UNLESS SPECIFIED)		DIMENSION STYLE MM ONLY		SCALE ---	DESIGN UNITS METRIC	THIRD ANGLE PROJECTION
	10 UNDER	± ---	DRAWN BY T. YASUI	DATE '96/4/16	TITLE 0.5 BTB CONN PLUG(W/O BOSS W/O NAIL)EMBSTP PKG		
	10 OVER 30 UNDER	± ---	CHECKED BY T. ITO	DATE '01/1/23	MOLEX INCORPORATED		
	30 OVER	± ---	APPROVED BY M. FUKUSHIMA	DATE '01/1/23	DOCUMENT NO. SD-53748-005	SHEET NO. 5 OF 5	
	ANGULAR ± --- °	SEE TABLE		THIS DRAWING CONTAINS INFORMATION THAT IS PROPRIETARY TO MOLEX INCORPORATED AND SHOULD NOT BE USED WITHOUT WRITTEN PERMISSION			
	DRAFT WHERE APPLICABLE MUST REMAIN WITHIN DIMENSIONS						